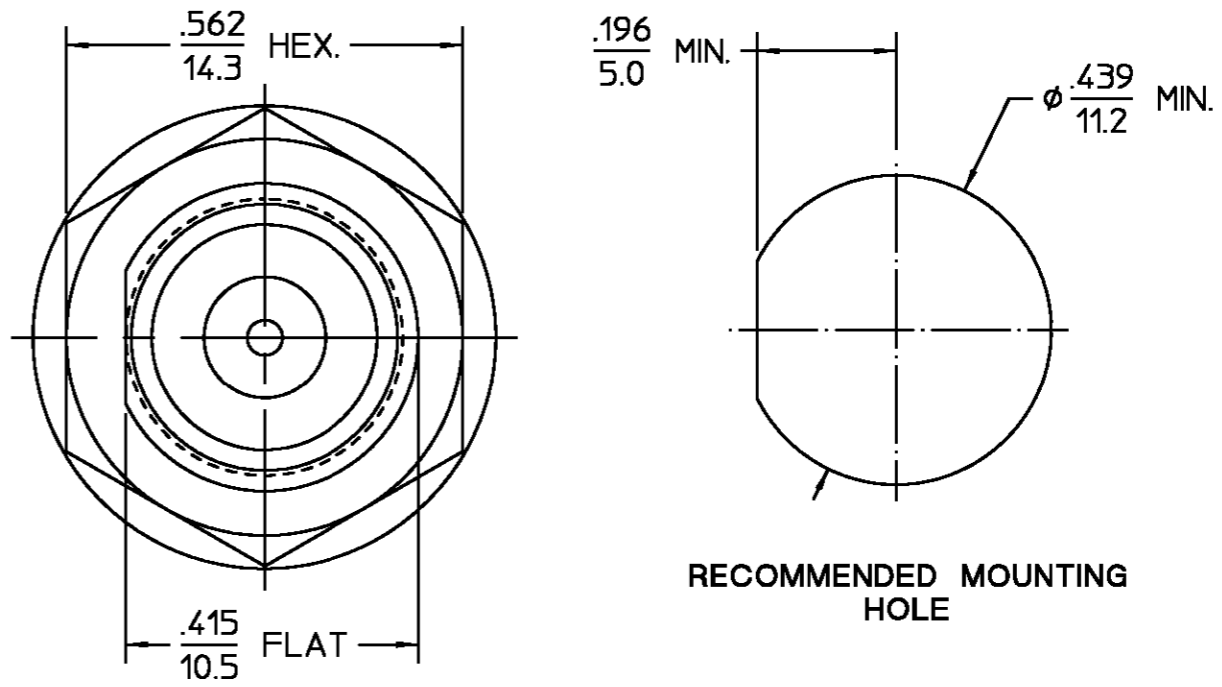


REVISIONS			
REV	DESCRIPTION	DATE	APPROVED
01 <sub>2</sub>	REVISED	7/22/96	PCW 7/26/96



HOUSING MOUNTING NUT LOCKWASHER	STAINLESS STEEL PER ASTM-A484 AND ASTM-A582, TYPE 303	PASSIVATE PER QQ-P-35
DIELECTRIC	TFE FLUOROCARBON PER ASTM-D-1457	N/A
CENTER CONTACT	BERYLLIUM COPPER PER ASTM-B-196 OR ASTM-B-197, ALLOY C17300, CONDITION H	GOLD PLATE PER MIL-G-45204
GASKET	SILICONE RUBBER PER ZZ-R-765	N/A
COMPONENT	MATERIAL	FINISH

UNLESS OTHERWISE SPECIFIED DIMENSIONS ARE IN INCHES	DRAWN BY S.W.A.	DATE 11/8/84	AMP Incorporated 140 Fourth Avenue Waltham, MA 02451-7599
	CHECKED BY M.L.B.	DATE 11/16/84	
FRAC. ± 1/64	DEC. ± .005	ANGLES ± 1°	
These drawings and specifications are the property of M/A COM Interconnect Div. and shall not be reproduced or copied or used in whole or in part as the basis for the manufacture or sale of item(s) without written permission.	USE ASSY PROCEDURE	TITLE "OST" JACK TO "OSM" JACK ADAPTER BULKHEAD FEEDTHRU	
	NO. A.P. N/A	SIZE B	CODE IDENT NO. 3184-2240-00
		SCALE 4:1	REV 01 <sub>2</sub>

NOTES:  
1. CAPTURED CENTER CONTACT

.XXX = in  
XX.X = mm (REF)