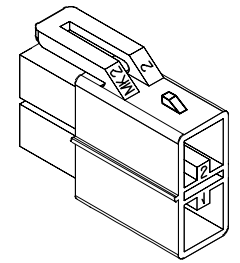
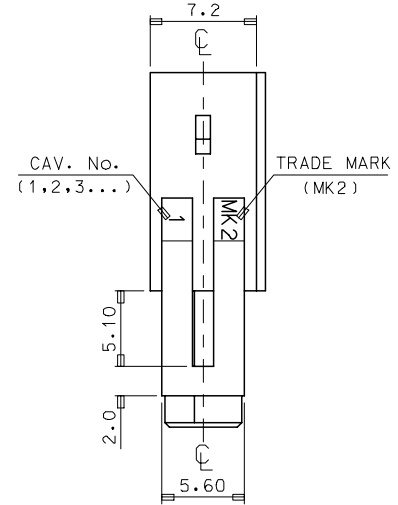
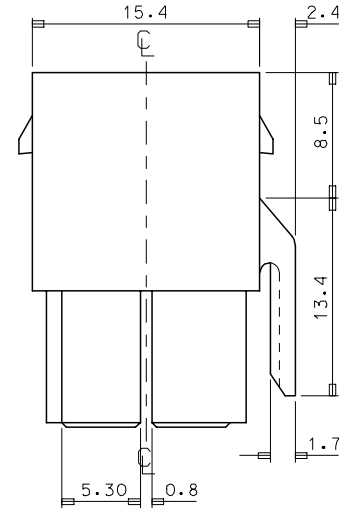
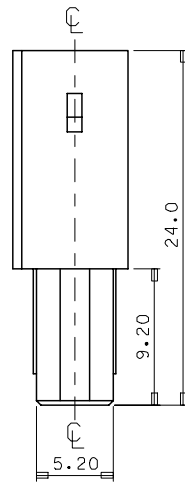
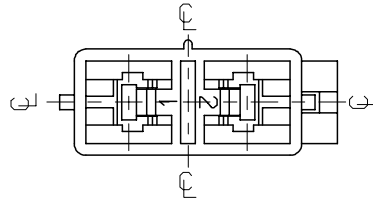
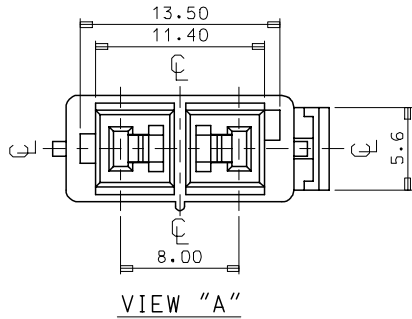


10 9 8 7 6 5 4 3 2 1



NOTES

1. MATERIAL & COLOR : SEE TABLE
2. MATCHED HOUSING : 35180-040*
35180-060*
3. APPLICABLE TERMINAL : 35746-0*10
4. APPLICABLE T.P.A : 35182-019*

NO	PRODUCT		MATERIAL	
	PART NO	MATERIAL NO	COLOR	DESCRIPTION
1	35181-0200	351810200	NATURAL	PBT
2	35181-0204	351810204	BLUE	(UL94V-0)
3	35181-0209	351810209	NATURAL	PBT/PC(UL94V-0)

REVISED
EC NO: KOR2008-0078
DRWN: JHPARK01 2007/09/10
CHKD: WY. YANG 2007/09/10
APPR: YUNSIKKIM 2007/09/10

QUALITY SYMBOLS
▽=0
▽=0

↑ "A"

GENERAL TOLERANCES (UNLESS SPECIFIED)	
	mm INCH
4 PLACES	± --- ± ---
3 PLACES	± --- ± ---
2 PLACES	± --- ± ---
1 PLACE	± 0.3 ± ---
ANGULAR ± 1 °	

DRAFT WHERE APPLICABLE MUST REMAIN WITHIN DIMENSIONS

DIMENSION STYLE
MM ONLY

DRAWN BY
JS. KANG

CHECKED BY

APPROVED BY

MATERIAL NO.

SIZE
A3

SCALE
3:1

DESIGN UNITS
METRIC

THIRD ANGLE PROJECTION

TITLE
.070 MULTI W/W CONN
FEMALE HSG-2P(A)

MOLEX INCORPORATED

DOCUMENT NO.
SD-35181-020*

SHEET NO.
1 OF 01

THIS DRAWING CONTAINS INFORMATION THAT IS PROPRIETARY TO MOLEX INCORPORATED AND SHOULD NOT BE USED WITHOUT WRITTEN PERMISSION

9 8 7 6 5 4 3 2 1