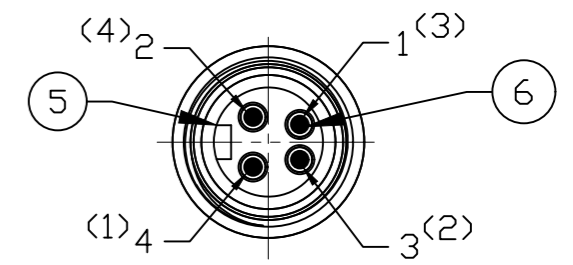
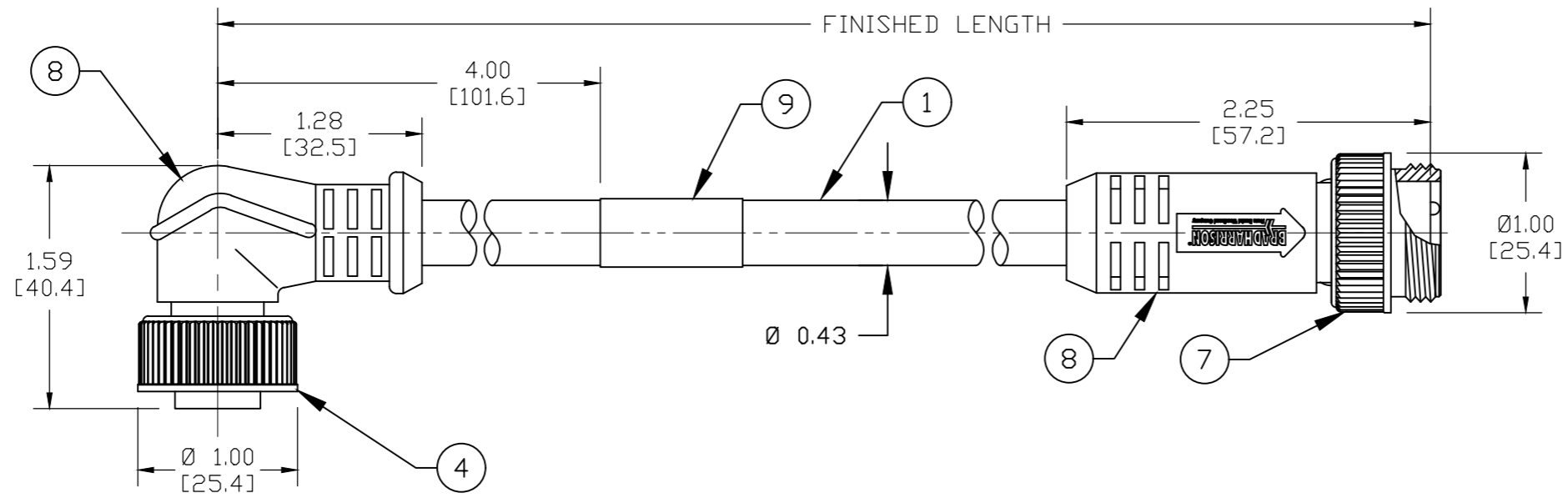


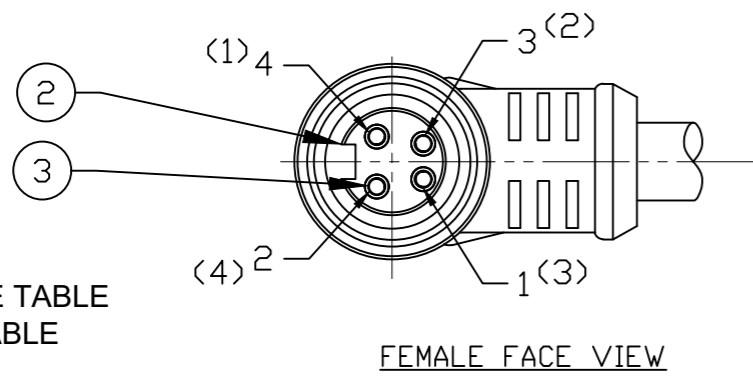
PART NO.	ENGINEERING NO.	FINISHED LENGTH
1300101882	114031K12M005	0.5M
1300100916	114031K12M010	1.0M
1300100917	114031K12M020	2.0M



MALE FACE VIEW

CENELEC EN 50 044 PINOUT SHOWN
(SAE-J-1738A SHOWN IN PARENTHESIS)

4 (1)	BLACK	4 (1)
3 (2)	BLUE	3 (2)
1 (3)	BROWN	1 (3)
2 (4)	WHITE	2 (4)



FEMALE FACE VIEW

114031K12M005

CABLE TYPE
16/4 TC-ER
HI-FLEX

FINISHED LENGTH:
M005= 0.5 METER
M010= 1 METER
M100= 10 METER

- NOTES:
1. MATERIAL: SEE TABLE
 2. FINISH: SEE TABLE
 3. ELECTRICAL:
VOLTAGE: 483V PER IEC 60664
600V PER UL 2238
CURRENT: 10A (C)
 4. TEMP RATING: -20°TO +90°C
 5. PROTECTION: IP67 (WHEN MATED)
 6. COUPLING THREAD: 7/8-16
 7. UL CERTIFICATION: UL LISTED, FILE NO. E152210
 8. ALL DIMS ARE FOR REFERENCE
UNLESS NOTED OTHERWISE

MECHANICAL CHARACTERISTICS:

TORSIONAL FLEX TEST	20 MILLION CYCLES PER MIL-C-13777G
BEND FLEX TEST	20 MILLION CYCLES PER MIL-C-13777G
WELD SLAG RESISTANCE	WOODHEAD STANDARD S-300

CABLE LENGTH TOLERANCES	
<.3M [1FT]:	+19mm-0 [+1.75in-0]
.3 - .9M [1 - 3FT]:	+44.5mm-0 [+1.75in-0]
.9 - 1.8M [3 - 6FT]:	+55.6mm-0 [+2.19in-0]
1.8 - 3.7M [6 - 12FT]:	+88.9mm-0 [+3.50in-0]
3.7 - 7.3M [12 - 24FT]:	+165.1mm-0 [+6.50in-0]
7.3-14.6M [24 - 48FT]:	+317.5mm-0 [+12.50in-0]
14.6 - 30.5M [48-100FT]:	+622.3mm-0 [+24.50in-0]
OVER 30M [100FT]	+2% OF FINISHED LENGTH

ITEM	DESCRIPTION	MATERIAL	FINISH
9	WRAP LABEL	VINYL	BLACK/YELLOW
8	OVERMOLD	TPE	YELLOW
7	COUPLING, MALE	ZINC DIE-CAST	BLACK
6	CONTACT PIN	COPPER ALLOY	GOLD PLATED
5	MALE INSERT (A-SIZE)	TPE	YELLOW
4	COUPLING, FEMALE	ZINC DIE-CAST	BLACK
3	CONTACT SOCKET	COPPER ALLOY	GOLD PLATED
2	FEMALE INSERT (A-SIZE)	TPE	YELLOW
1	CABLE, 16/4 TC-ER (HI-FLEX)	TPE JACKET	YELLOW

FUNCTIONAL SYMBOLS	THIS DRAWING CONTAINS INFORMATION THAT IS PROPRIETARY TO MOLEX ELECTRONIC TECHNOLOGIES, LLC AND SHOULD NOT BE USED WITHOUT WRITTEN PERMISSION	
$F=0$ $E=0$ $P=0$	DIMENSION UNITS	SCALE
	INCH/MM	NTS
DIVISIONAL SYMBOLS	GENERAL TOLERANCES (UNLESS SPECIFIED)	
	4 PLACES	±--- ±---
CURRENT REV DESC: UPDATED AMPERAGE AND DOC BORDER/TEMPLATE	3 PLACES	±--- ±---
	2 PLACES	±--- ±---
EC NO: 646474	1 PLACE	±--- ±---
	0 PLACES	±--- ±---
DRWN: ALEON01	2020/08/18	<p>molex</p> <p>MINI-CHANGE CORDSET</p> <p>4P MALE/FEMALE ST/90 #16/4 TPE CABLE</p>
CHK'D: CCHRSTKA	2020/10/19	
APPR: BWOODMAN	2020/10/21	PRODUCT CUSTOMER DRAWING
INITIAL REVISION:		DOCUMENT NUMBER
DRWN: VOU	2012/01/19	SD-130010-018
APPR: JFMURPHY	2012/03/08	PSD 001 C
DRAFT WHERE APPLICABLE MUST REMAIN WITHIN DIMENSIONS	THIRD ANGLE PROJECTION	DRAWING
		B-SIZE
	SERIES	130010
	MATERIAL NUMBER	SEE CHART
	CUSTOMER	GENERAL MARKET
	SHEET NUMBER	1 OF 1