

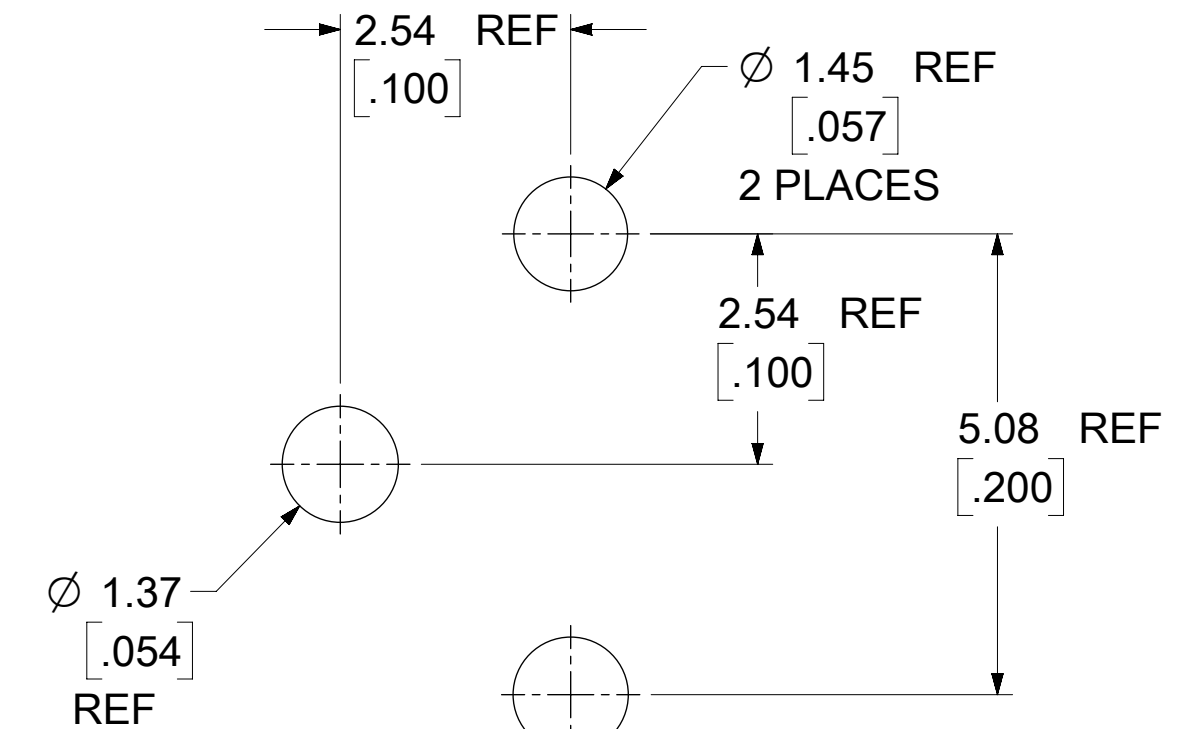
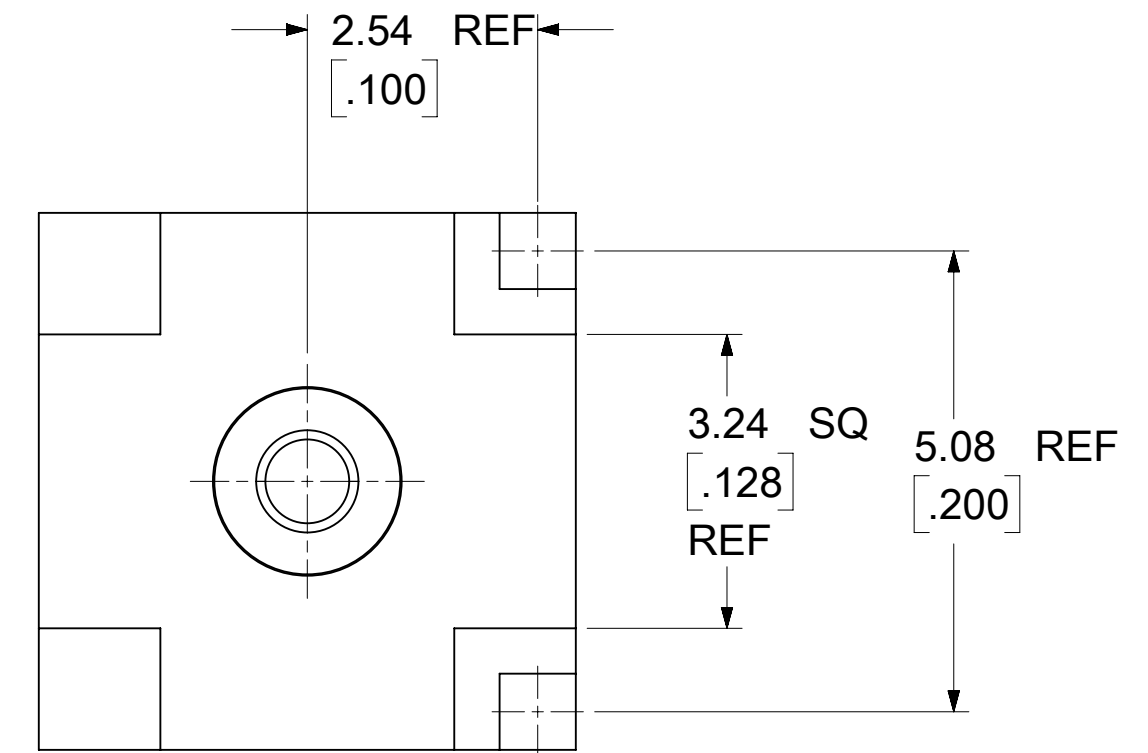
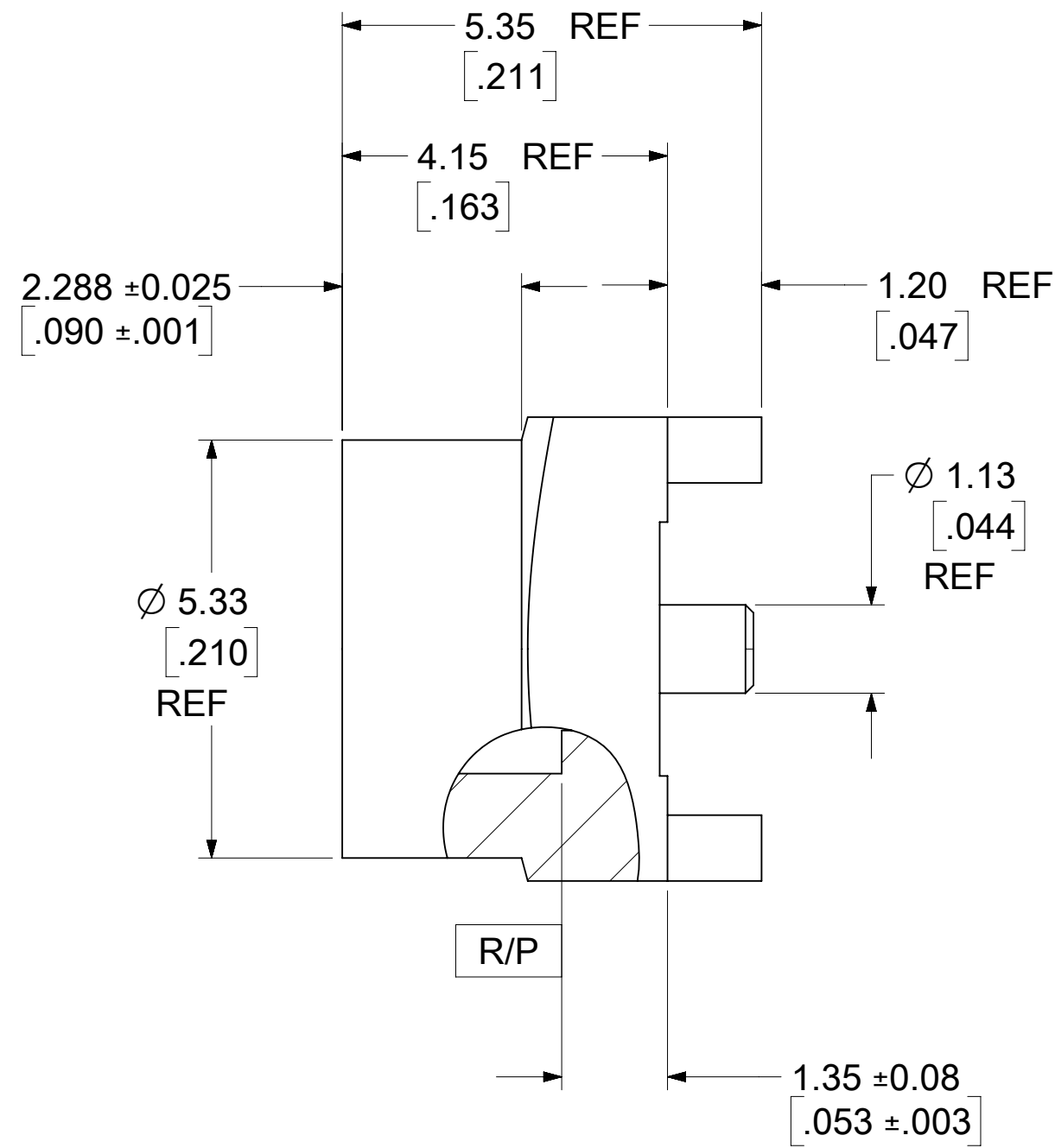
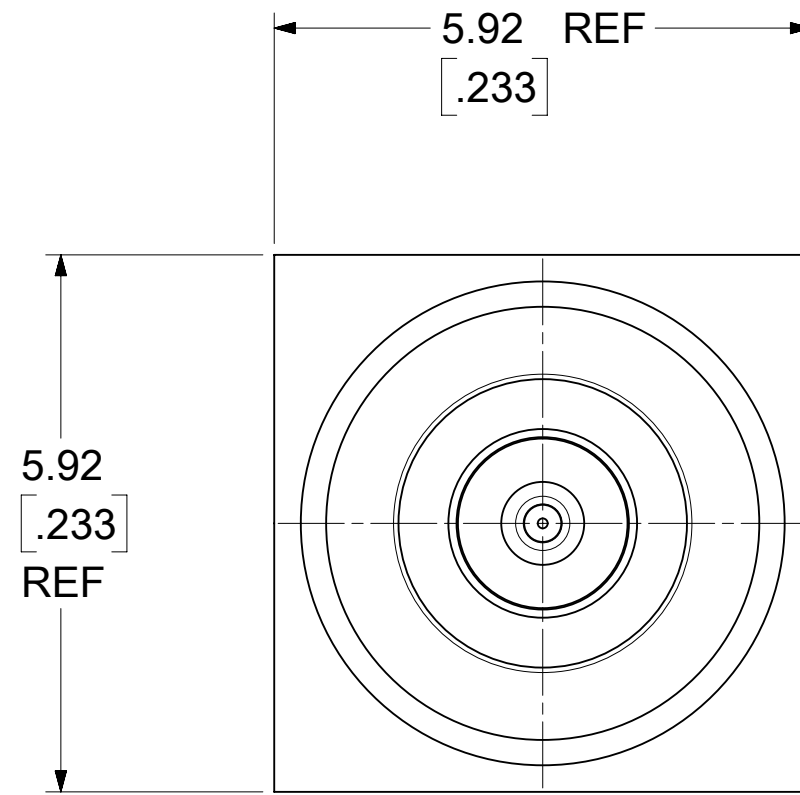
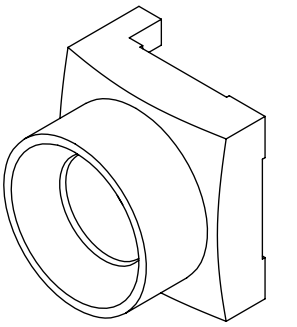
MATERIALS AND FINISHES:

BODY, CONTACT: BRASS
 PLATED: GOLD (30μ-in MIN)
 OVER NICKEL (100μ-in MIN)

INSULATOR: PTFE

KAPTON: POLYIMIDE
 COLOR: BLACK

SEE SHEET 2 & 3 FOR
 TAPE AND REEL INSTRUCTION



RECOMMENDED PCB LAYOUT

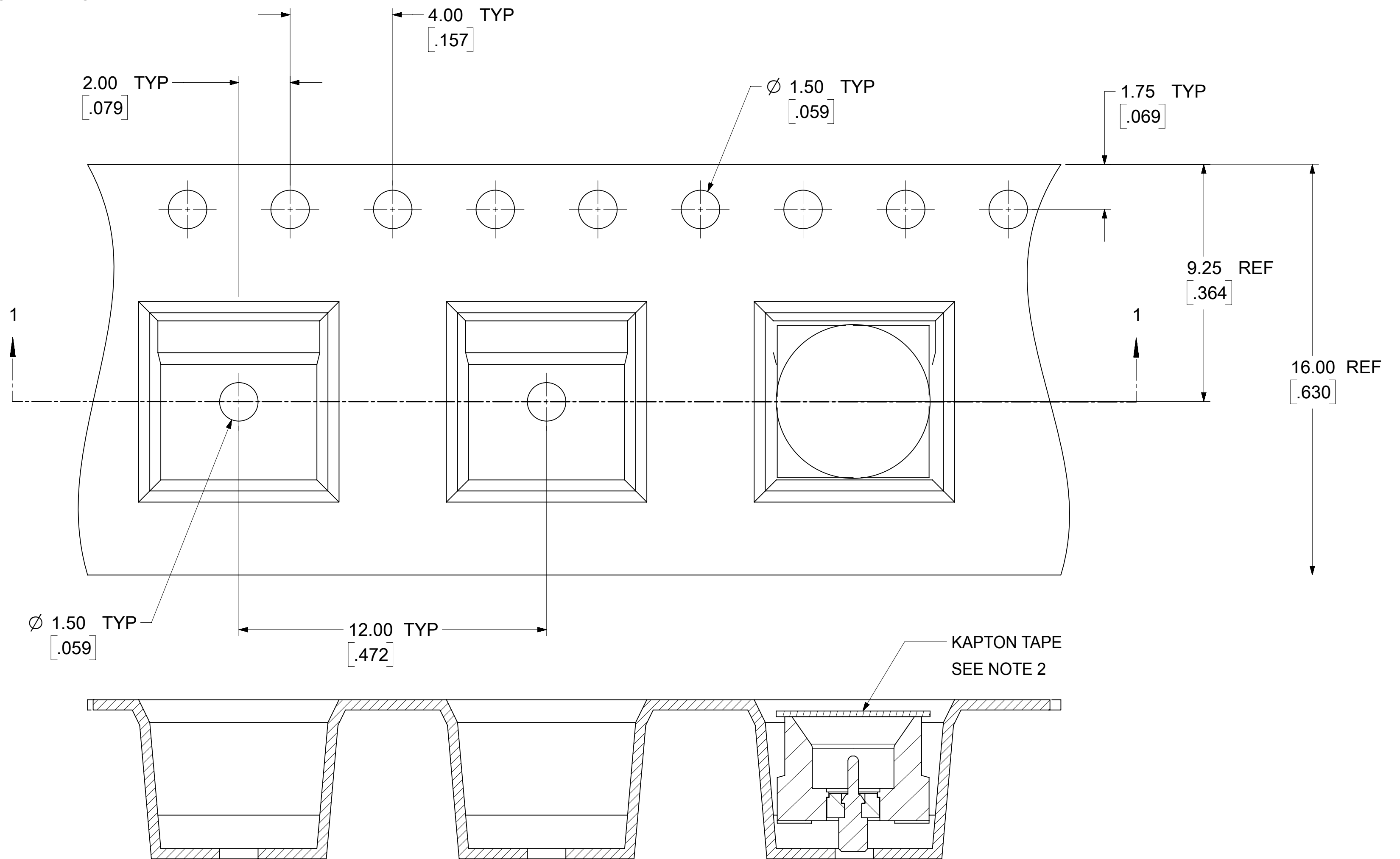
73415-4801	ONE PER BAG	895420470
73415-4800	TAPE & REEL	-----
PART #	PACKAGING	PACKING SPEC

PS-89675-3320	PRODUCT SPECIFICATION
MIL-STD-348B, FIG. 326.5	INTERFACE
SPECIFICATION	DESCRIPTION

FUNCTIONAL SYMBOLS $\nabla_A = 0$ $\nabla_C = 0$ $\nabla_P = 0$ DIVISIONAL SYMBOLS 4 PLACES ± 3 PLACES ± 2 PLACES ± 0.25 1 PLACE ± 0 PLACES ±	THIS DRAWING CONTAINS INFORMATION THAT IS PROPRIETARY TO MOLEX ELECTRONIC TECHNOLOGIES, LLC AND SHOULD NOT BE USED WITHOUT WRITTEN PERMISSION		CURRENT REV DESC:		molex SMP PLUG 50 OHM PCB SMP-P/PCB PRODUCT CUSTOMER DRAWING			
	DIMENSION UNITS	SCALE	EWR # 15321-E ADDED -4801 PART NO					
	MM/INCH	NTS	EC NO: 718007 DRWN: JSU18 CHK'D: YCHENG APPR: YCHENG					
	GENERAL TOLERANCES (UNLESS SPECIFIED)		2022/08/11 2022/08/24 2022/08/24					
ANGULAR TOL ± °		INITIAL REVISION:		DOCUMENT NUMBER	DOC TYPE	DOC PART	REVISION	
DRAFT WHERE APPLICABLE MUST REMAIN WITHIN DIMENSIONS		THIRD ANGLE PROJECTION	DRAWING	SERIES	SD-73415-480	PSD	001	F2
			C-SIZE	73415	MATERIAL NUMBER	CUSTOMER	SHEET NUMBER	
					GENERAL MARKET	1 OF 3		

NOTE:

1. 10 PITCHES CUMULATIVE TOLERANCE ±.008(0.20)
2. KAPTON TAPE OR EQUIVALENT MUST BE PLACED ON TOP OF THE CONNECTOR ASSEMBLY FOR PICK AND PLACE.



Section 1-1

THIS DRAWING CONTAINS INFORMATION THAT IS PROPRIETARY TO MOLEX ELECTRONIC TECHNOLOGIES, LLC AND SHOULD NOT BE USED WITHOUT WRITTEN PERMISSION									
FUNCTIONAL SYMBOLS		DIMENSION UNITS		SCALE		CURRENT REV DESC:			
FA = 0		MM/INCH		NTS		EWR # 15321-E ADDED -4801 PART NO			
FC = 0		GENERAL TOLERANCES (UNLESS SPECIFIED)				EC NO: 718007			
FP = 0		ANGULAR TOL ± °				DRWN: JSU18 2022/08/11			
DIVISIONAL SYMBOLS		4 PLACES ±		3 PLACES ±		CHK'D: YCHENG 2022/08/24			
		2 PLACES ± 0.25		1 PLACE ±		APPR: YCHENG 2022/08/24			
		0 PLACES ±		DRAFT WHERE APPLICABLE MUST REMAIN WITHIN DIMENSIONS		INITIAL REVISION: DRWN: YCHENG 2005/01/05 APPR: MHUANG 2005/01/07			
		THIRD ANGLE PROJECTION		DRAWING		SERIES		DOCUMENT NUMBER	
		C-SIZE		73415		SD-73415-480		DOC TYPE DOC PART REVISION	
		GENERAL MARKET		2 OF 3		PSD 001 F2		MATERIAL NUMBER CUSTOMER SHEET NUMBER	

molex

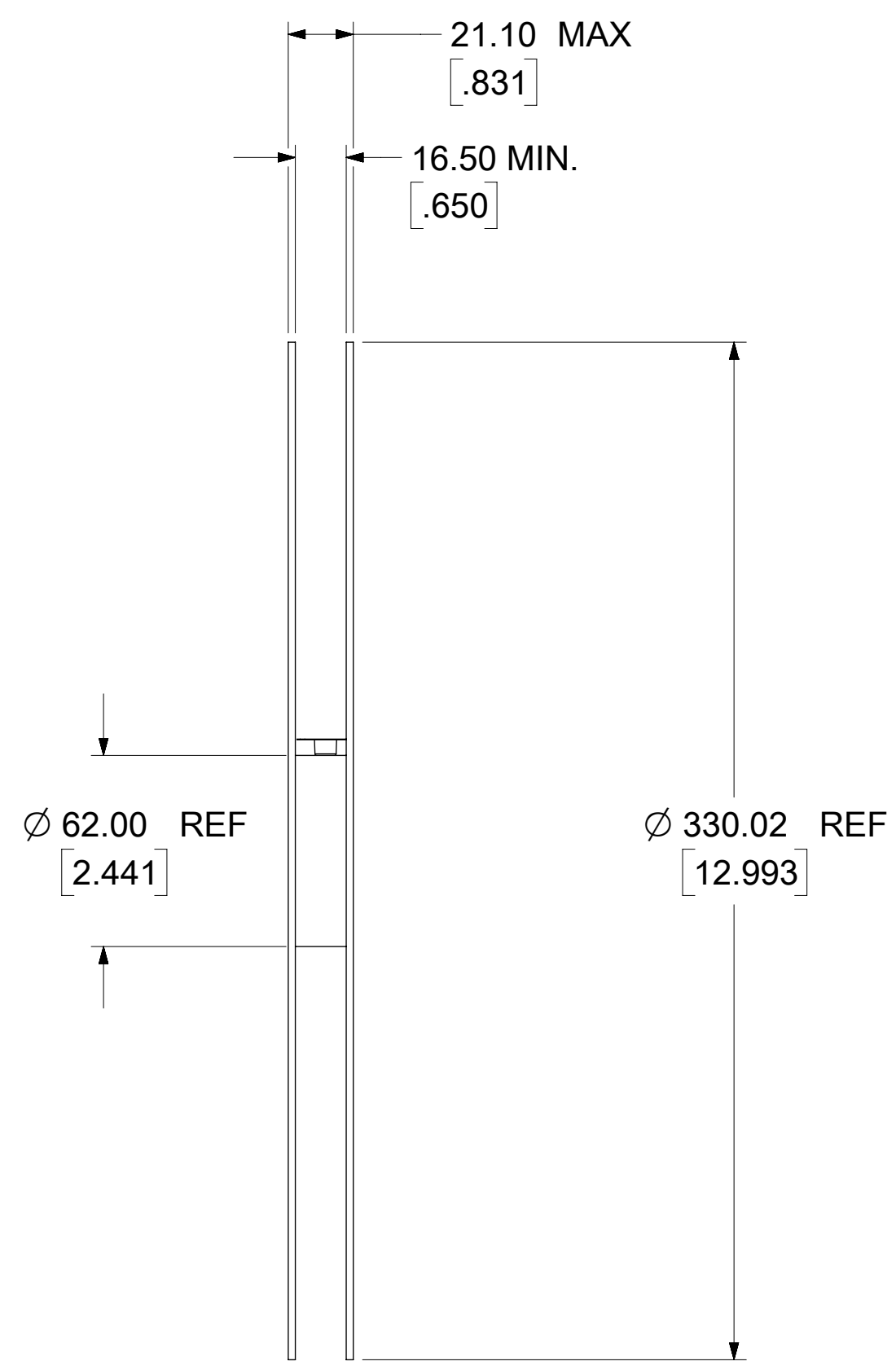
SMP PLUG 50 OHM PCB
SMP-P/PCB

PRODUCT CUSTOMER DRAWING

SD-73415-480

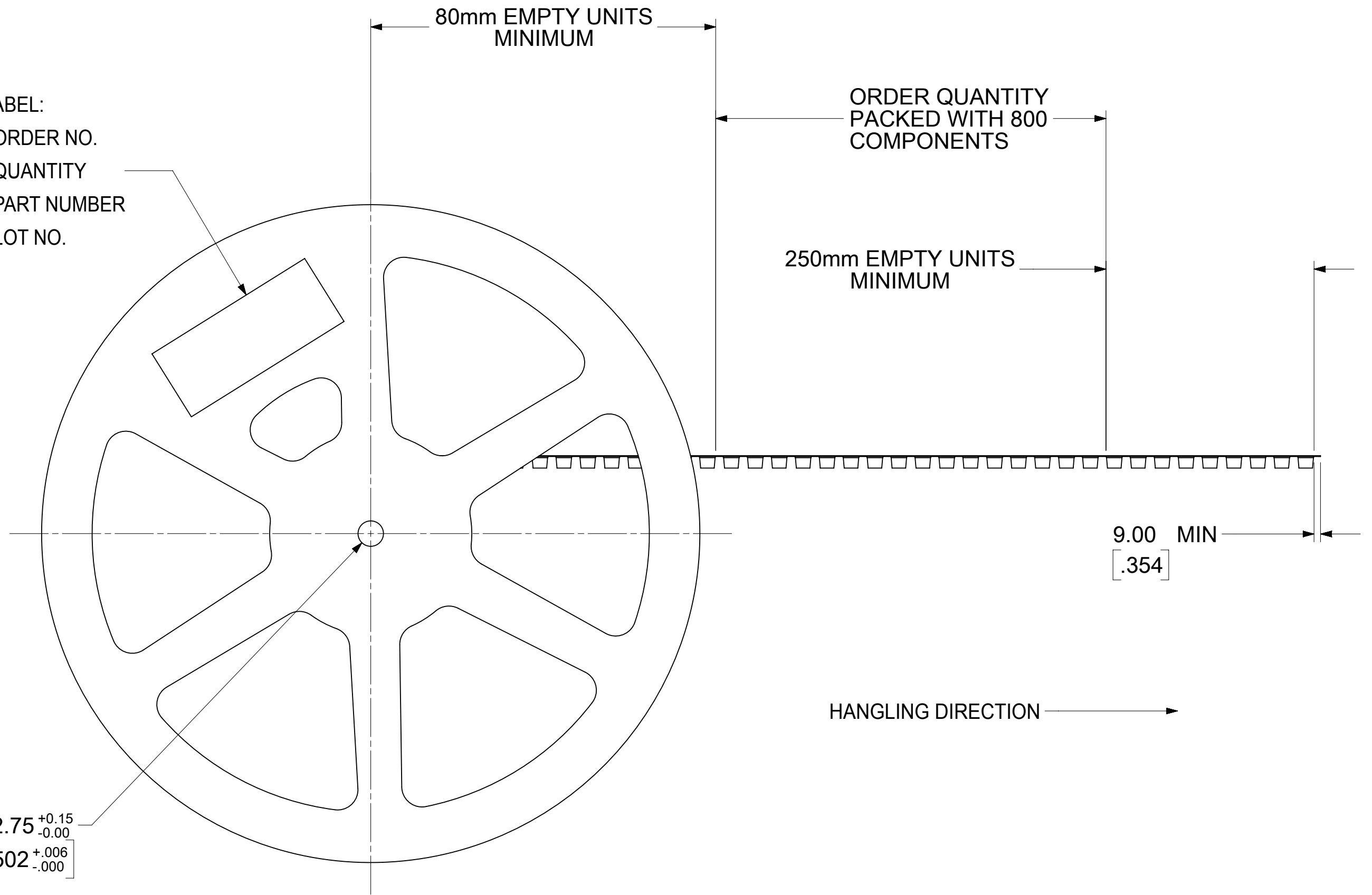
PSD 001 F2

GENERAL MARKET 2 OF 3



LABEL:
 - ORDER NO.
 - QUANTITY
 - PART NUMBER
 - LOT NO.

Ø 12.75 ^{+0.15}/_{-0.00}
 [.502 ^{+0.006}/_{-0.000}]



THIS DRAWING CONTAINS INFORMATION THAT IS PROPRIETARY TO MOLEX ELECTRONIC TECHNOLOGIES, LLC AND SHOULD NOT BE USED WITHOUT WRITTEN PERMISSION									
FUNCTIONAL SYMBOLS	DIMENSION UNITS	SCALE	CURRENT REV DESC:				molex		
$\frac{F}{A} = 0$	MM/INCH	NTS	EWR # 15321-E ADDED -4801 PART NO						
$\frac{F}{C} = 0$	GENERAL TOLERANCES (UNLESS SPECIFIED)		EC NO: 718007				SMP PLUG 50 OHM PCB SMP-P/PCB		
$\frac{F}{P} = 0$	ANGULAR TOL ± °		DRWN: JSU18 2022/08/11				PRODUCT CUSTOMER DRAWING		
DIVISIONAL SYMBOLS	4 PLACES ±		CHK'D: YCHENG 2022/08/24				DOCUMENT NUMBER		
	3 PLACES ±		APPR: YCHENG 2022/08/24				SD-73415-480		
	2 PLACES ± 0.25		INITIAL REVISION:				DOC TYPE DOC PART REVISION		
	1 PLACE ±		DRWN: YCHENG 2005/01/05				PSD 001 F2		
0 PLACES ±		APPR: MHUANG 2005/01/07				MATERIAL NUMBER			
DRAFT WHERE APPLICABLE MUST REMAIN WITHIN DIMENSIONS		THIRD ANGLE PROJECTION	DRAWING	SERIES	CUSTOMER		SHEET NUMBER		
			C-SIZE	73415	GENERAL MARKET		3 OF 3		

DOCUMENT STATUS	P1	RELEASE DATE	2022/08/24 02:18:07
-----------------	----	--------------	---------------------