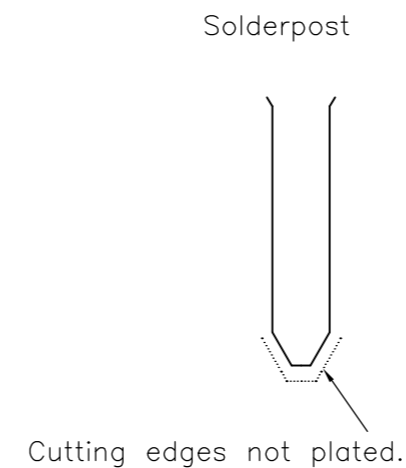
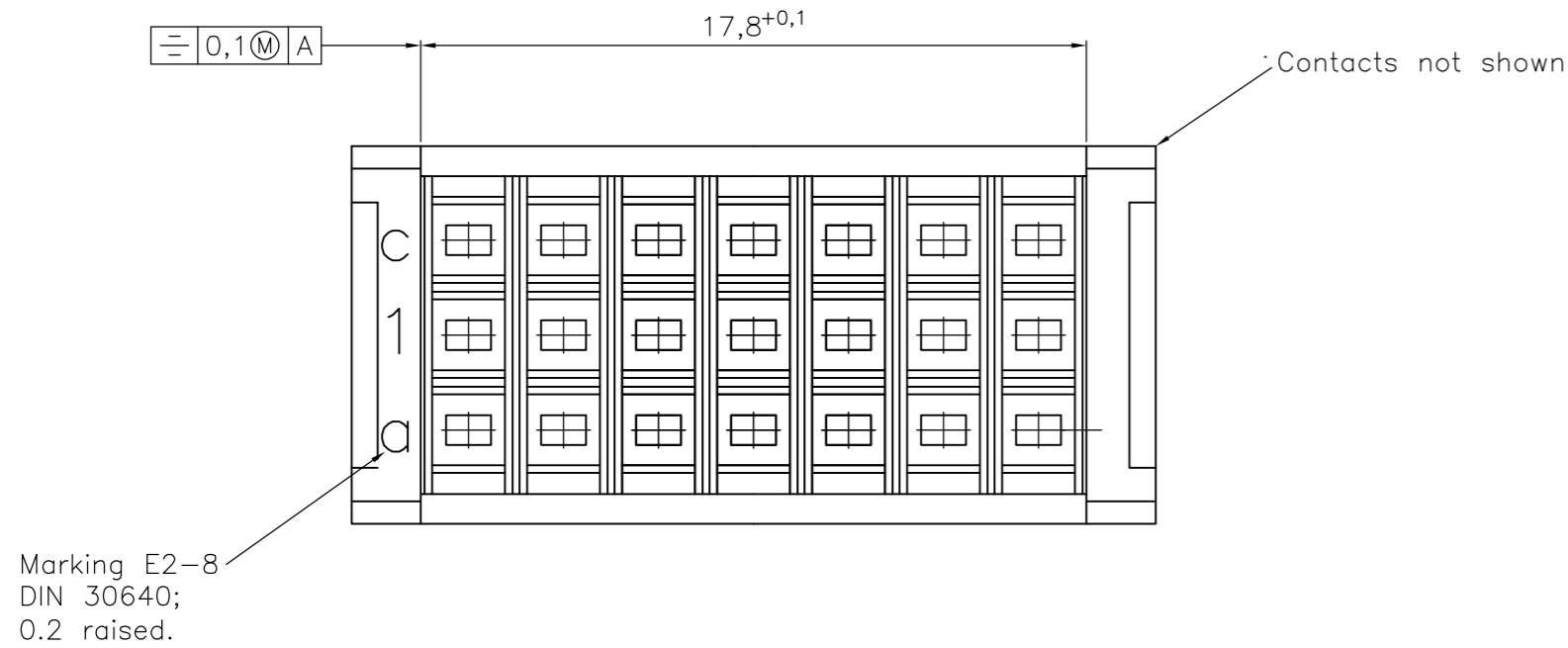


THIS DRAWING IS UNPUBLISHED. RELEASED FOR PUBLICATION
 © COPYRIGHT BY TYCO ELECTRONICS CORPORATION. ALL INTERNATIONAL RIGHTS RESERVED.

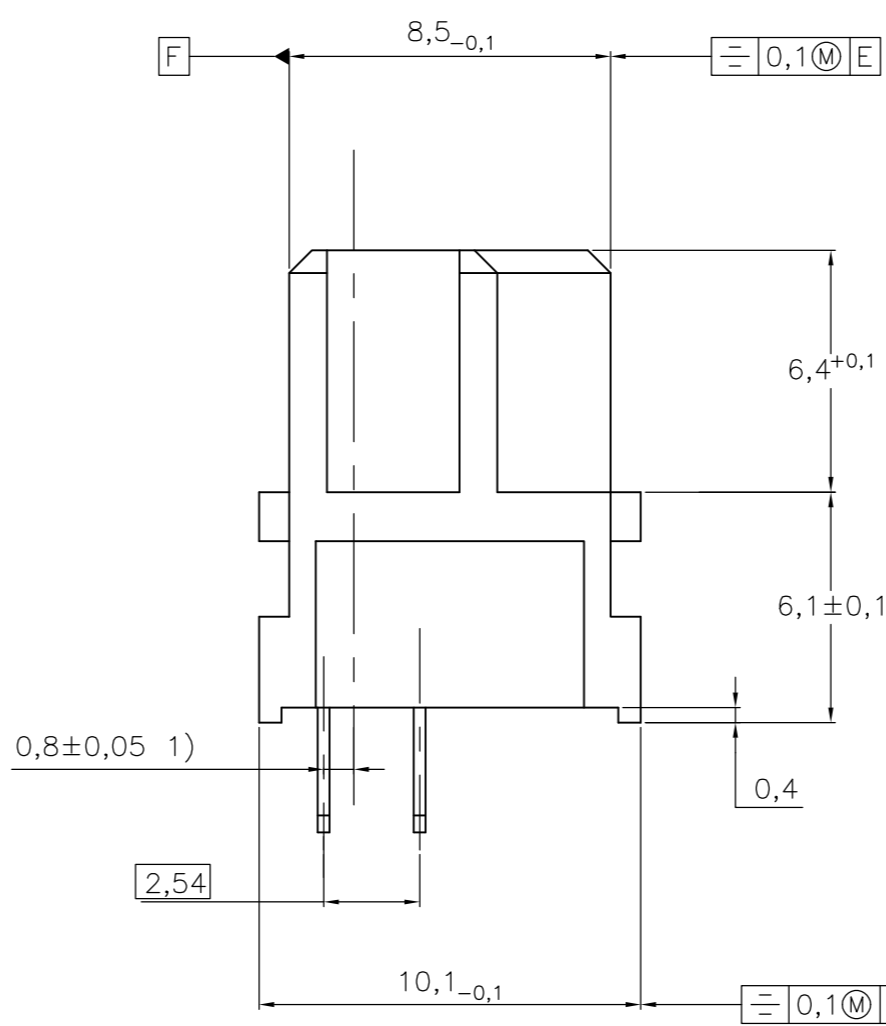
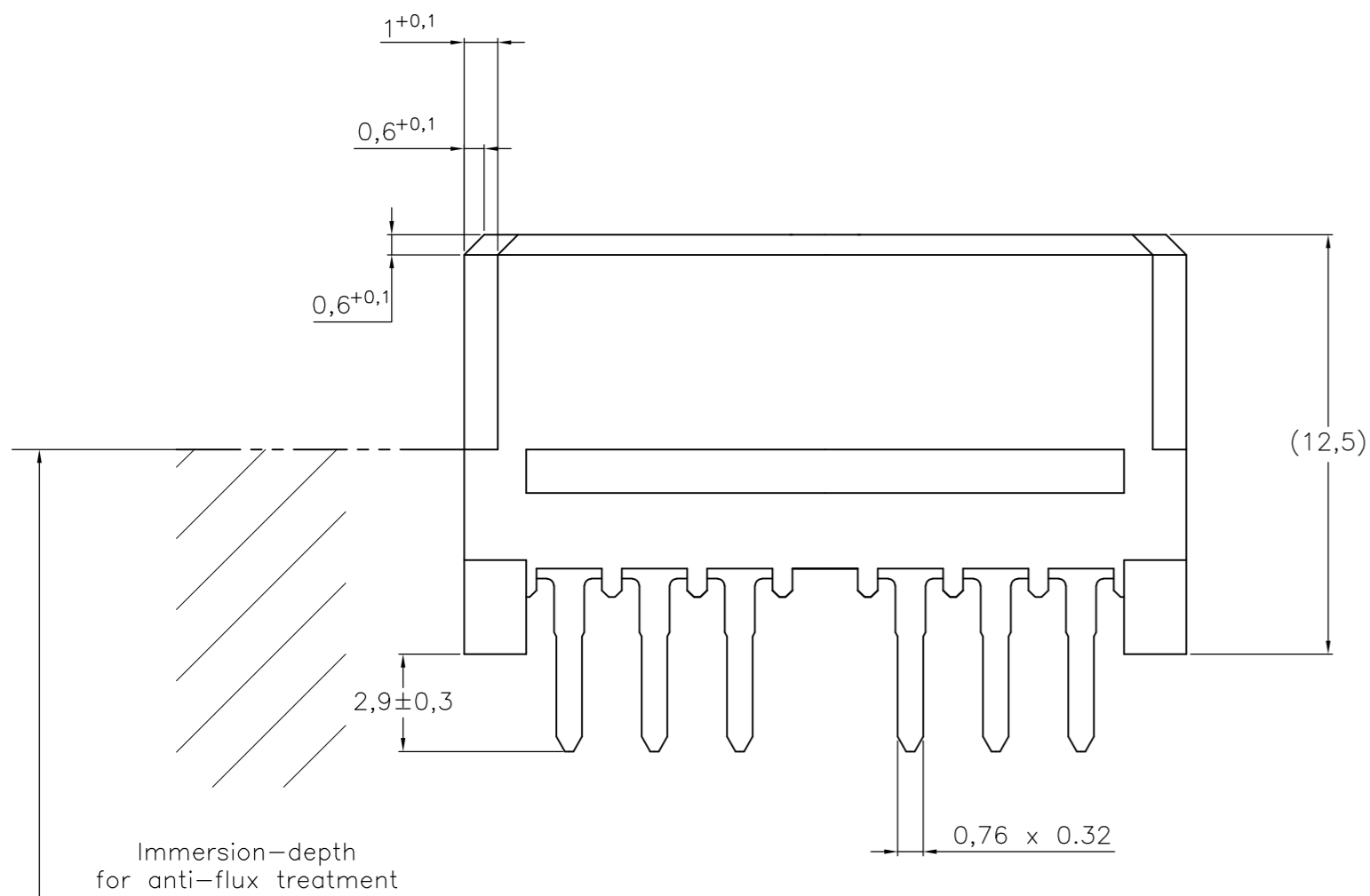
| LOC | DIST | REVISIONS | | | | | |
|-----|------|-----------|-----|---------------|----------|-----|---------|
| | | P | LTR | DESCRIPTION | DATE | DWN | APVD |
| H | - | | A | WO 00/7012 | 20-07-09 | - | VS |
| | | | B | SR10-0250-02 | 24-05-02 | - | BC |
| | | | B1 | ECR-09-015706 | 24-11-09 | - | AEG MKO |



Loading Pattern (8 contacts)

| | | | | | | | |
|-------|---|---|---|---|---|---|---|
| | 1 | 2 | 3 | 4 | 5 | 6 | 7 |
| Row a | + | o | + | o | + | o | + |
| Row b | o | + | + | o | + | + | o |
| Row c | o | o | o | o | o | o | o |

+ = contact
o = no contact

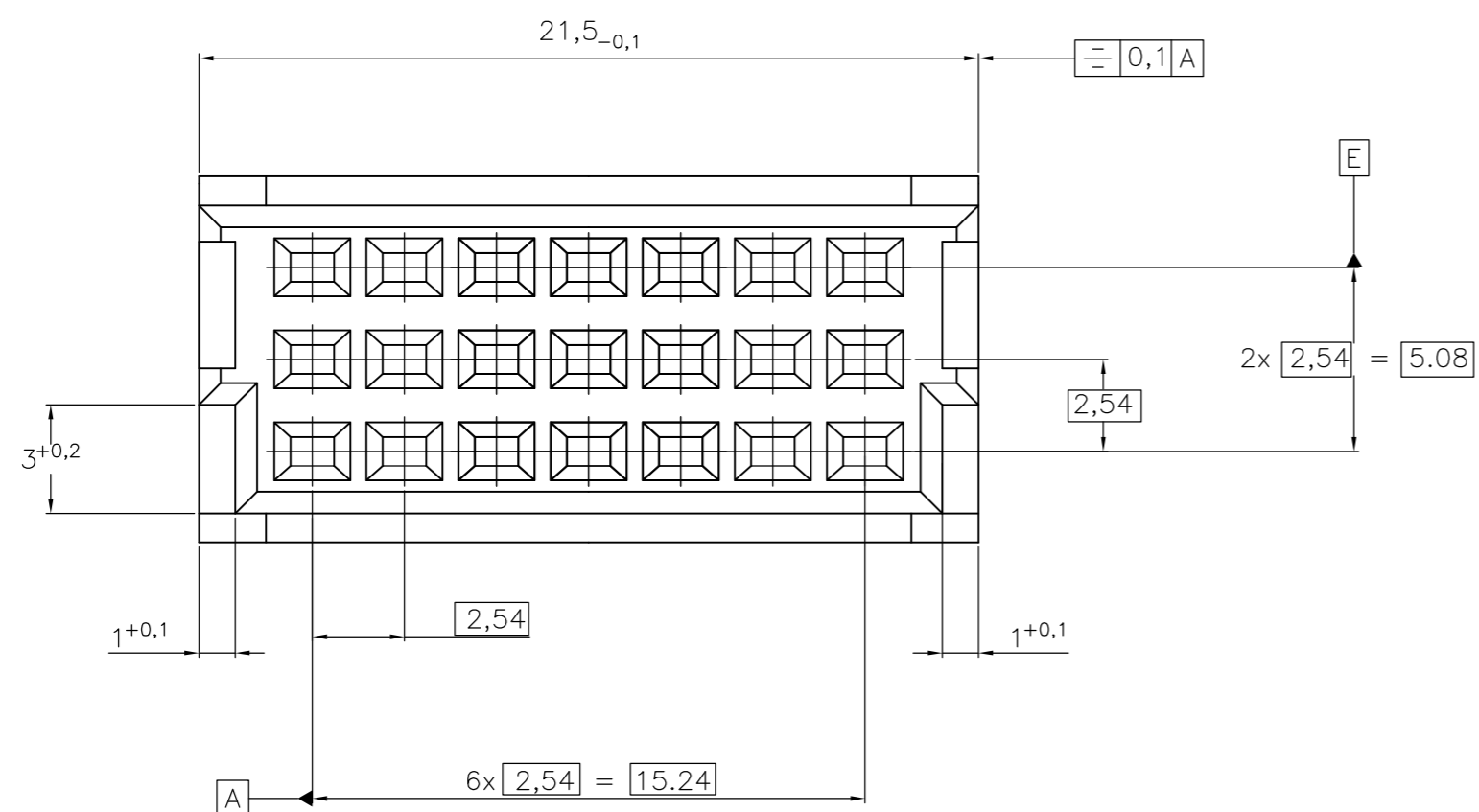


Specifications acc. IEC 603-2. Performance Level 2

Housing : PBTP 30% Glasfilled (UL94-V0)
Pebblegrey similar RAL 7032

Contact material : Copper Alloy

Plating : Contact area : PdNi+Au or Au
Termination area : Sn with flux-tight coating.



1) Center-displacement between termination- and contact-side.

Active Partnumber. Contact Tyco Electronics for other configuration availability

| Old Partnumber | TE Part number |
|-----------------|----------------|
| V42254-F2299-R5 | 1393657-3 |

| | | | | |
|--|--|------------------|----------------|---|
| THIS DRAWING IS A CONTROLLED DOCUMENT. | | DWN Cuvelier | 10JUN98 | Tyco Electronics Corporation 's-Hertogenbosch, Nederland |
| DIMENSIONS: mm | | CHK - | APVD PD COM | |
| TOLERANCES UNLESS OTHERWISE SPECIFIED: | | PRODUCT SPEC | | NAME Receptacle Ass'y, Type R, 21 pos. |
| 0 PLC ± - | | APPLICATION SPEC | | V42254-F2299-R5-* -26 |
| 1 PLC ± - | | WEIGHT | | SIZE A2 |
| 2 PLC ± - | | SCALE | | CAGE CODE 00779 |
| 3 PLC ± - | | SHEET | | DRAWING NO C=1393657-3 |
| 4 PLC ± - | | REV | | RESTRICTED TO - |
| ANGLES ± - | | CUSTOMER DRAWING | | SCALE 5:1;10:1 |
| FINISH | | SHEET | | 1 of 1 |
| - | | REV | | B1 |