

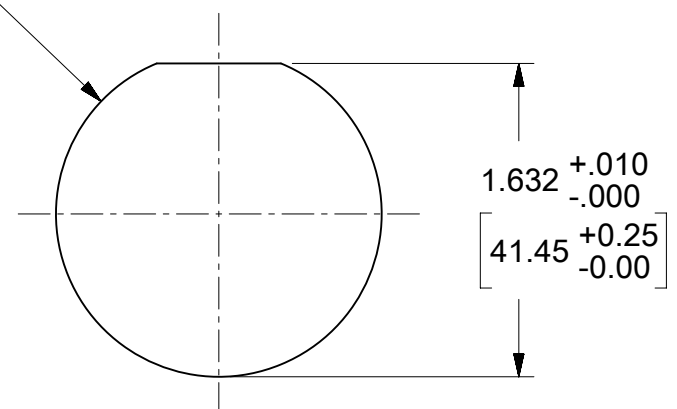
MATERIAL NUMBER	WIRE AWG	INSULATION DIA O.D.	RING
845110004	18 - 14	.053 - .134 [1.35 - 3.40]	STD., BLACK

LARGE POLARIZING KEYWAY INDICATOR

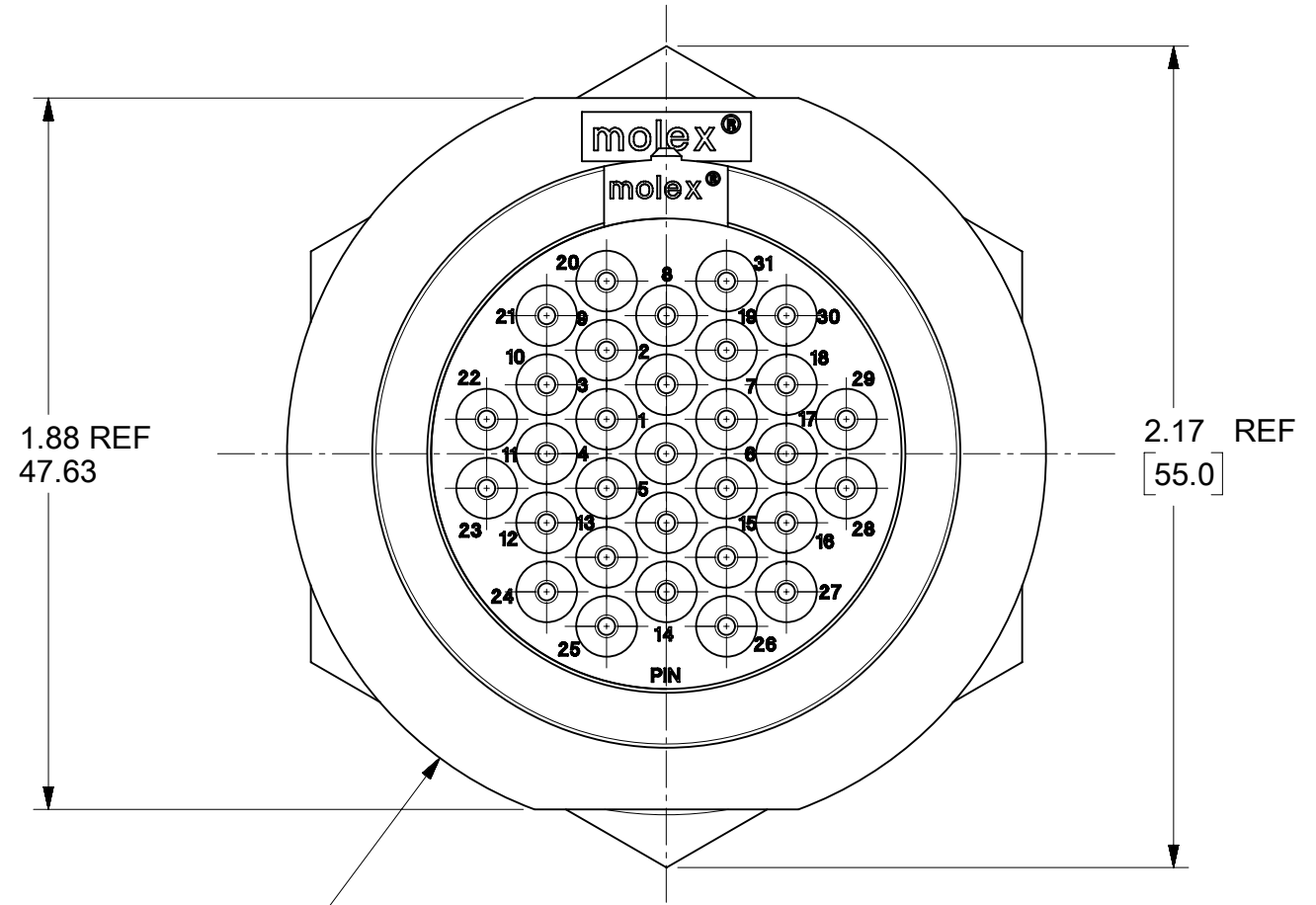
STANDARD BLACK RING

SCALE 1:1

Ø 1.696 ±.005
[43.08 ±0.13]

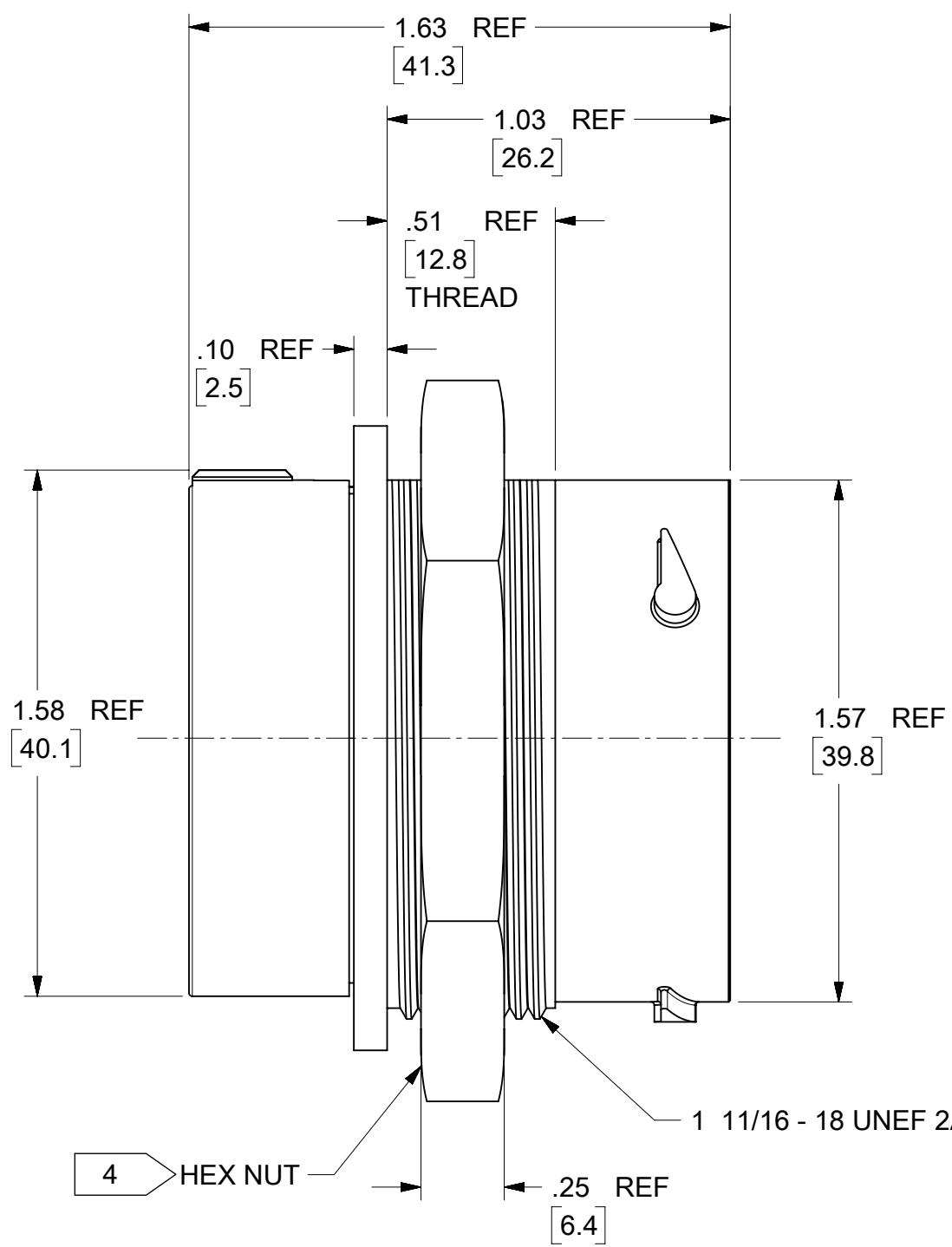


RECOMMENDED MOUNTING HOLE



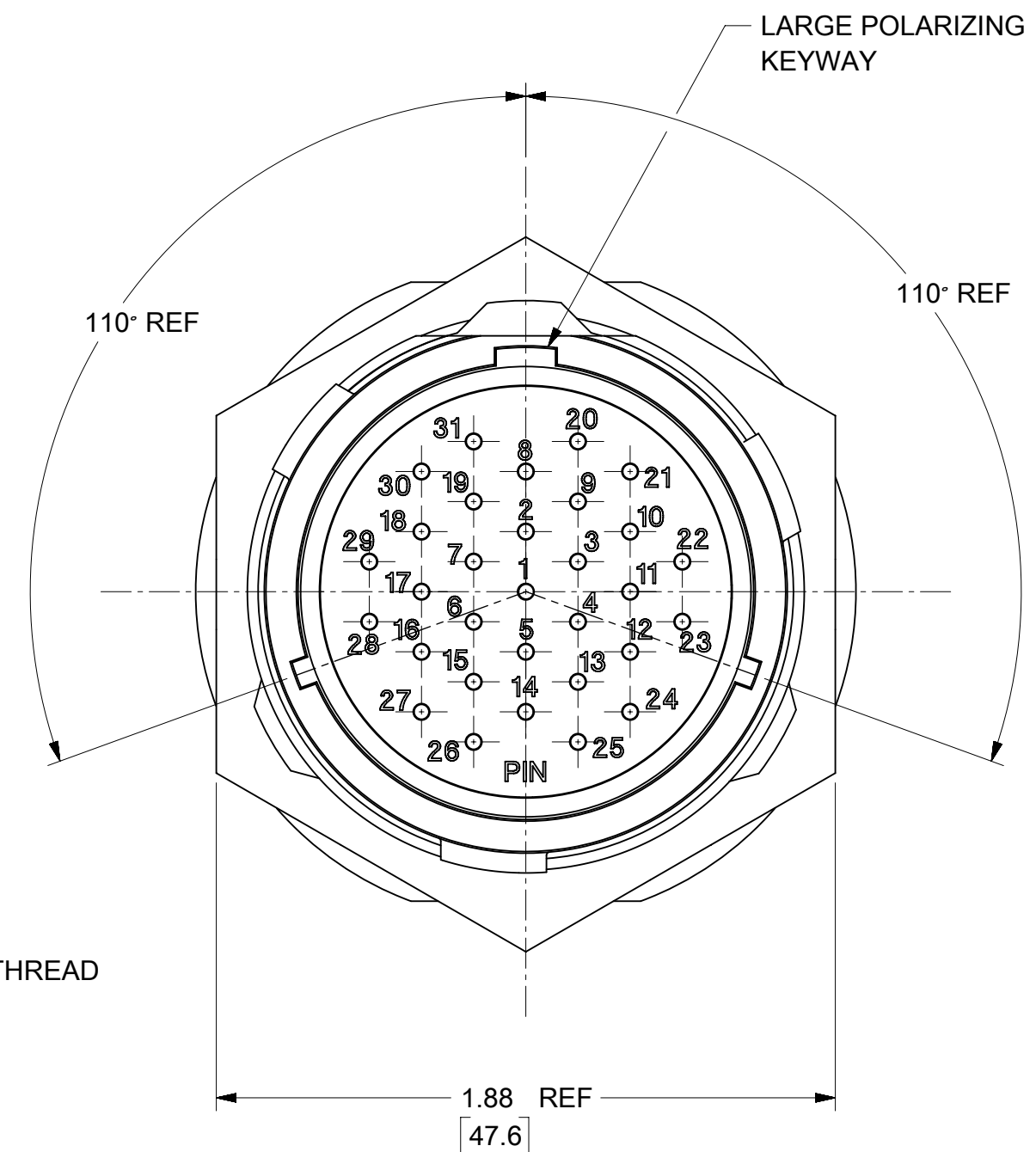
Ø 2.00 REF
[50.8]

WIRE ENTRY VIEW



1 11/16 - 18 UNEF 2A THREAD

4 HEX NUT



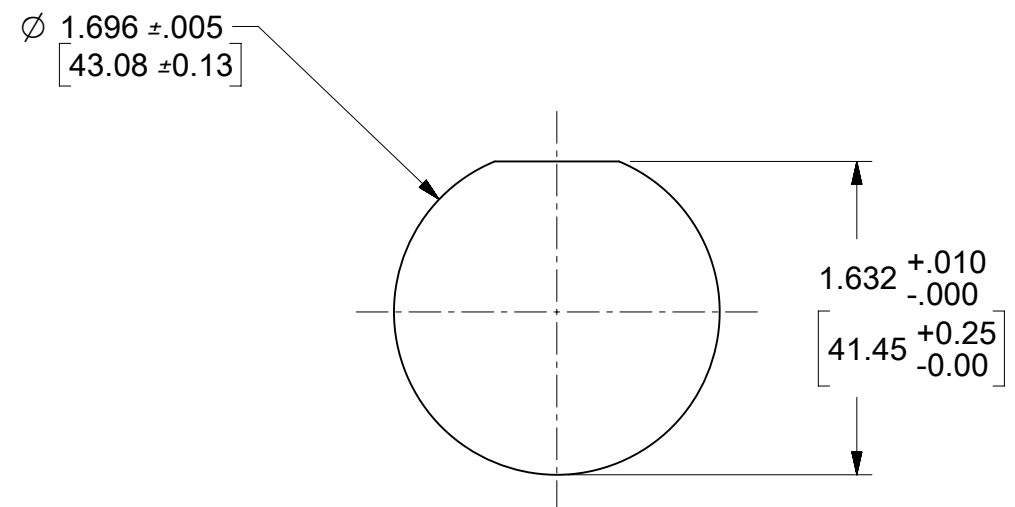
LARGE POLARIZING KEYWAY

NOTES:

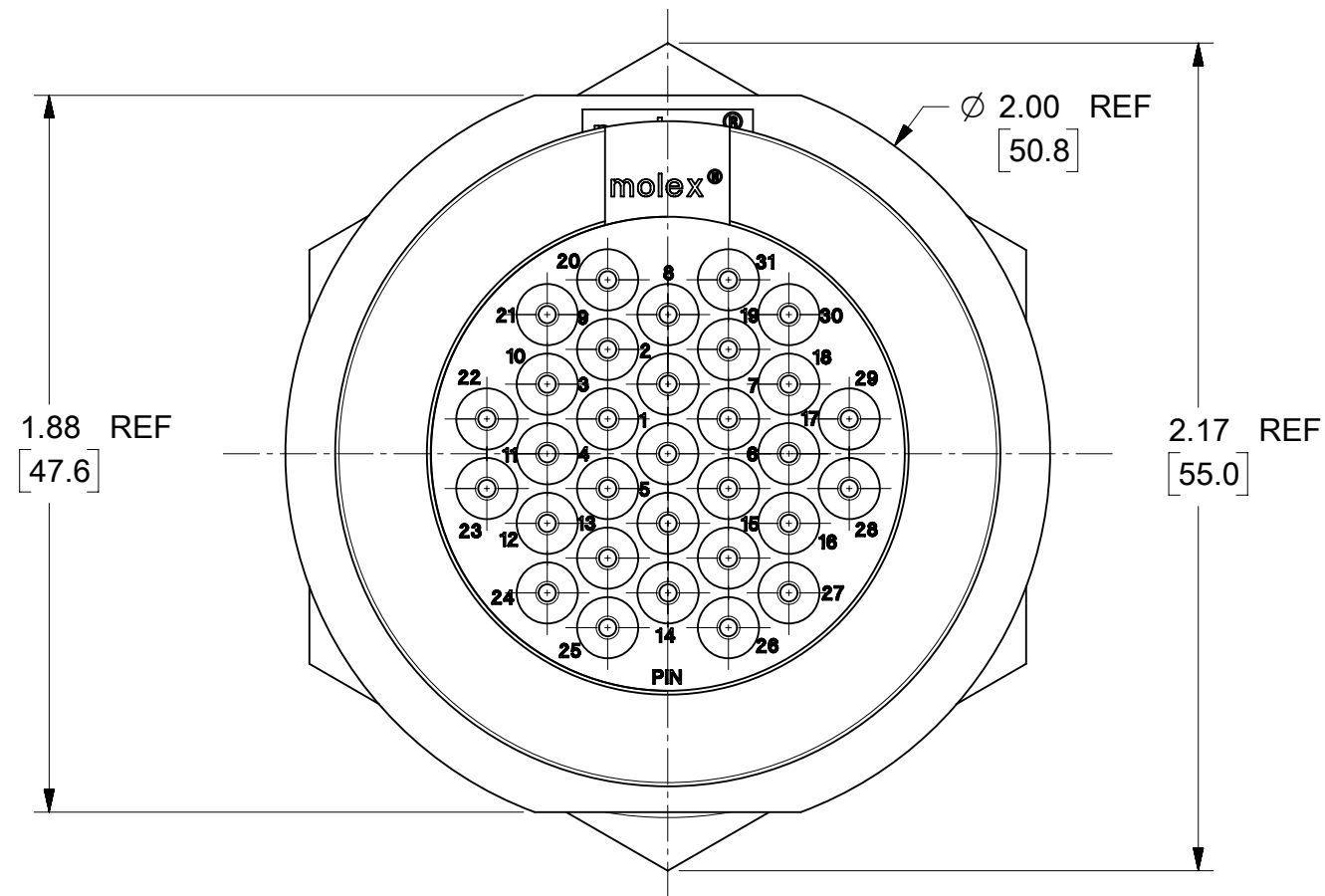
1. RECOMMENDED PANEL THICKNESS .062[1.58] TO .187[4.75].
2. USE CONNECTOR WITH MALE CRIMP TERMINAL SERIES 84524.
3. MATES WITH PLUG CONNECTOR SERIES 84510.
4. HEX NUT SOLD SEPARATELY, MOLEX MATERIAL NUMBER 84506-0012.
5. ASSEMBLY IS ROHS COMPLIANT.
6. PACKAGED PER PK-84501-001.

QUALITY SYMBOLS	THIS DRAWING CONTAINS INFORMATION THAT IS PROPRIETARY TO MOLEX ELECTRONIC TECHNOLOGIES, LLC AND SHOULD NOT BE USED WITHOUT WRITTEN PERMISSION			
	GENERAL TOLERANCES (UNLESS SPECIFIED)		DIMENSION UNITS	SCALE
▽ = 0	MM INCH		IN[MM]	2:1
▽ = 0	4 PLACES ± ±		DRWN BY	DATE
▽ = 0	3 PLACES ± ±		JPAWLICKI	2006/6/5
▽ = 0	2 PLACES ± ± 0.015		CHK'D BY	DATE
▽ = 0	1 PLACES ± 0.38 ±		JPAWLICKI	2006/6/6
▽ = 0	0 PLACES ± ±		APPR BY	DATE
▽ = 0	ANGULAR TOL = 2.0°		RDEROSS	2006/6/7
▽ = 0	DRAFT WHERE APPLICABLE MUST REMAIN WITHIN DIMENSIONS		DRAWING SIZE	THIRD ANGLE PROJECTION
▽ = 0	C		C	
CAD MIGRATION		SERIES MATERIAL NUMBER CUSTOMER		
EC NO: 122085		84511 845110004 GENERAL MARKET		
DRWN: CRAODOREMS		DOCUMENT NUMBER		
CHKD: SMCGRVEY		SD-84511-002		
REV / APPR: JDWALLACE		DOC TYPE DOC PART SHEET NUMBER		
C1		PSD 001 1 OF 2		

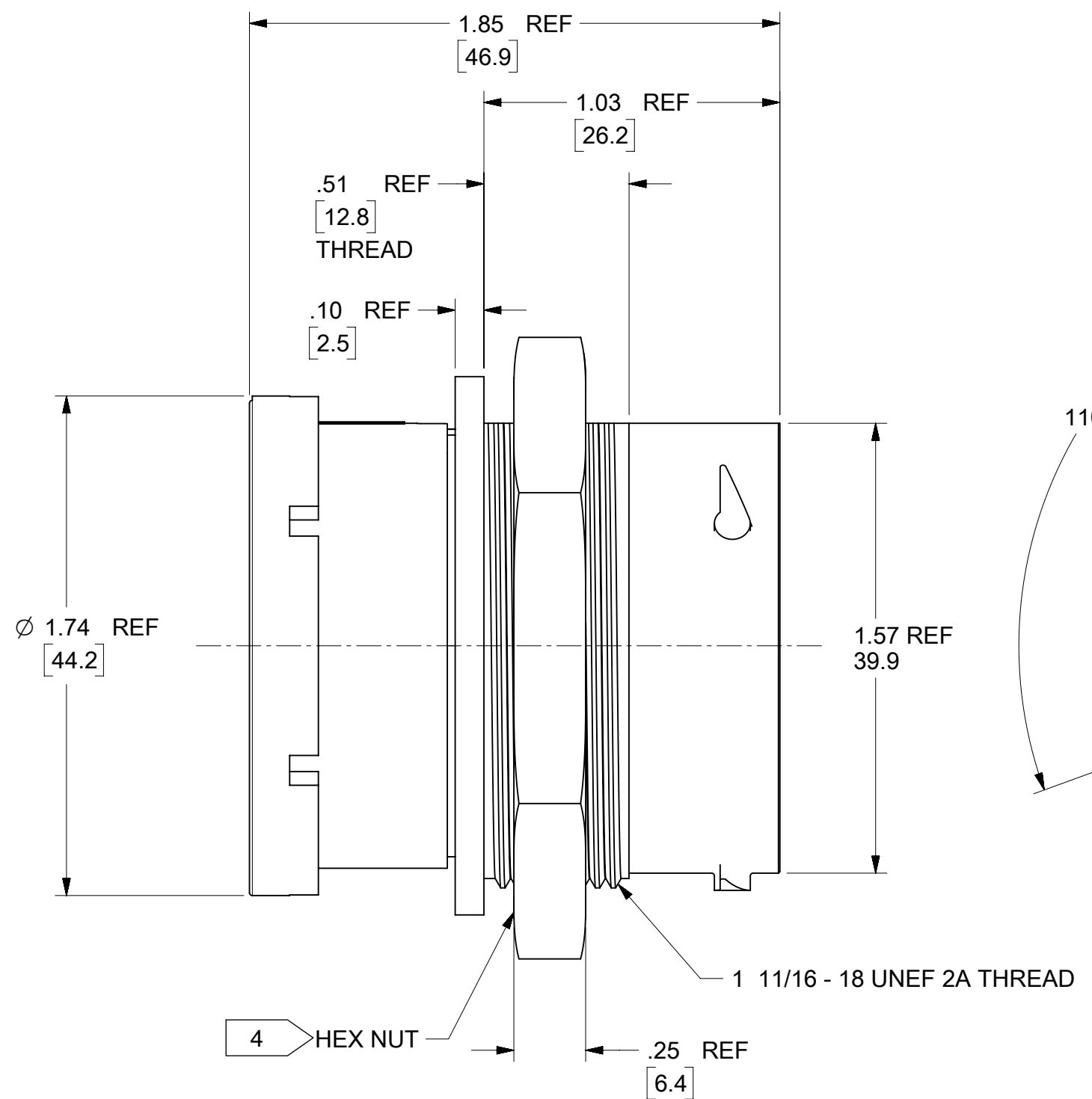
MATERIAL NUMBER	WIRE AWG	INSULATION DIA O.D.	RING
845110005	18 - 14	.053 - .134 [1.35 - 3.40]	EXT. LIP, BLACK



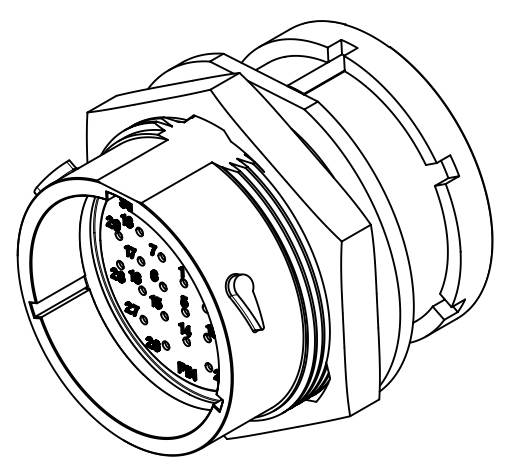
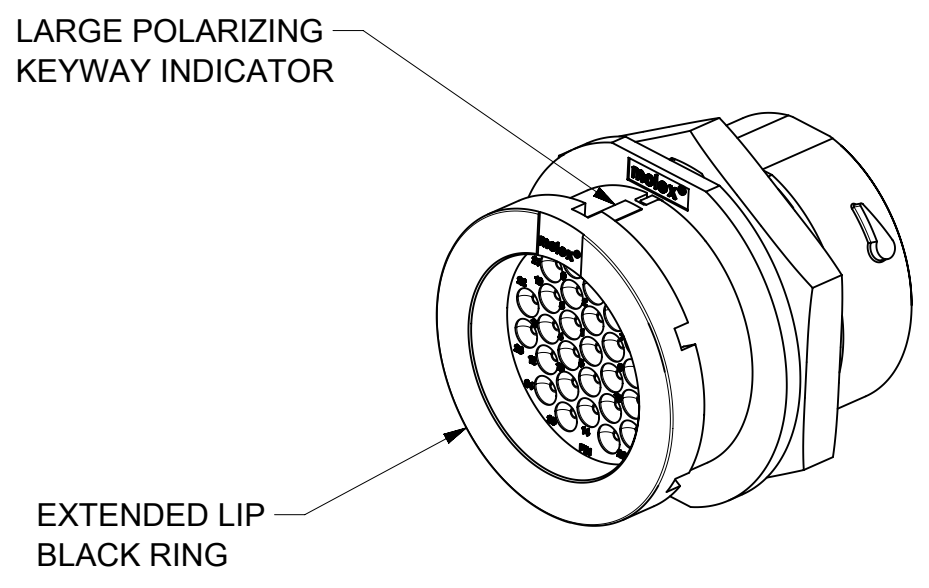
RECOMMENDED MOUNTING HOLE



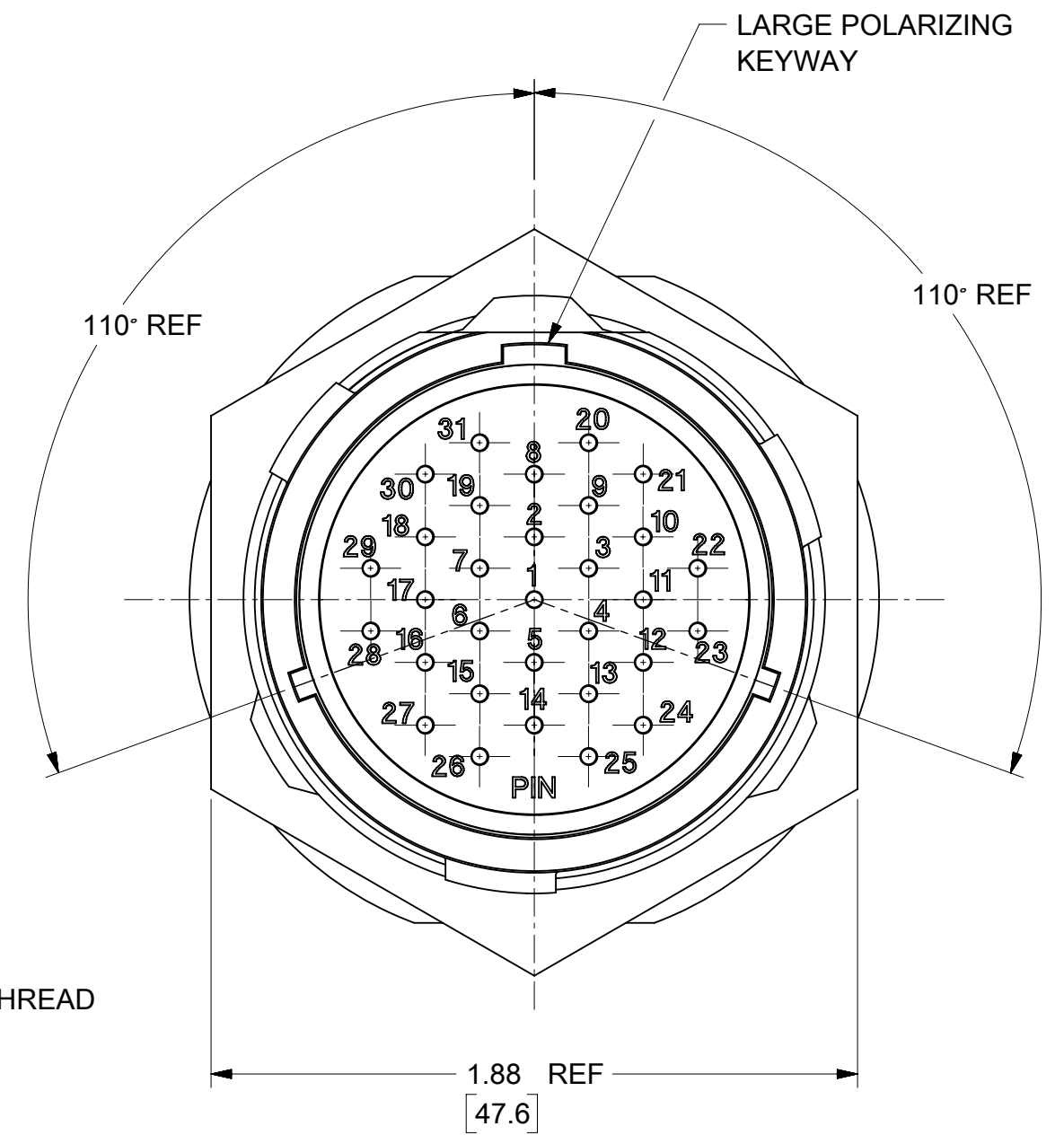
WIRE ENTRY VIEW



4 HEX NUT



SCALE 1:1



- NOTES:
1. RECOMMENDED PANEL THICKNESS .062[1.58] TO .187[4.76].
 2. USE CONNECTOR WITH MALE CRIMP TERMINAL SERIES 84524.
 3. MATES WITH PLUG CONNECTOR SERIES 84510.
 4. HEX NUT SOLD SEPARATELY, MOLEX MATERIAL NUMBER 84506-0012.
 5. USE CONNECTOR WITH STRAIN RELIEF BACKSHELL, MOLEX MATERIAL NO. 84537-0003.
 6. ASSEMBLY IS ROHS COMPLIANT.
 7. PACKAGED PER PK-84501-001.

QUALITY SYMBOLS		THIS DRAWING CONTAINS INFORMATION THAT IS PROPRIETARY TO MOLEX ELECTRONIC TECHNOLOGIES, LLC AND SHOULD NOT BE USED WITHOUT WRITTEN PERMISSION				
CAD MIGRATION EC NO: 122085 DRWN: CRAODOREMS CHKD: SMCGRVEEY REV / APPR: JDWALLACE	2017/09/08	2017/10/03	2017/10/03	GENERAL TOLERANCES (UNLESS SPECIFIED)		
	MM		INCH		IN[MM]	SCALE
	4 PLACES ±		±		DRWN BY	DATE
	3 PLACES ±		±		CHK'D BY	DATE
	2 PLACES ±		± 0.015		JPAWLICKI	2006/6/5
	1 PLACES ±		± 0.38		JPAWLICKI	2006/6/6
	0 PLACES ±		±		APPR BY	DATE
	ANGULAR TOL = 2.0°				RDEROSS	2006/6/7
	DRAFT WHERE APPLICABLE MUST REMAIN WITHIN DIMENSIONS				DRAWING SIZE	THIRD ANGLE PROJECTION
	C1			C		

molex		
RECPT. CONNECTOR ASSEMBLY, 24-31 POS PIN TERMINALS		
PRODUCT CUSTOMER DRAWING		
SERIES	MATERIAL NUMBER	CUSTOMER
84511	845110005	GENERAL MARKET
DOCUMENT NUMBER	DOC TYPE	DOC PART
SD-84511-002	PSD	001
SHEET NUMBER		
2 OF 2		