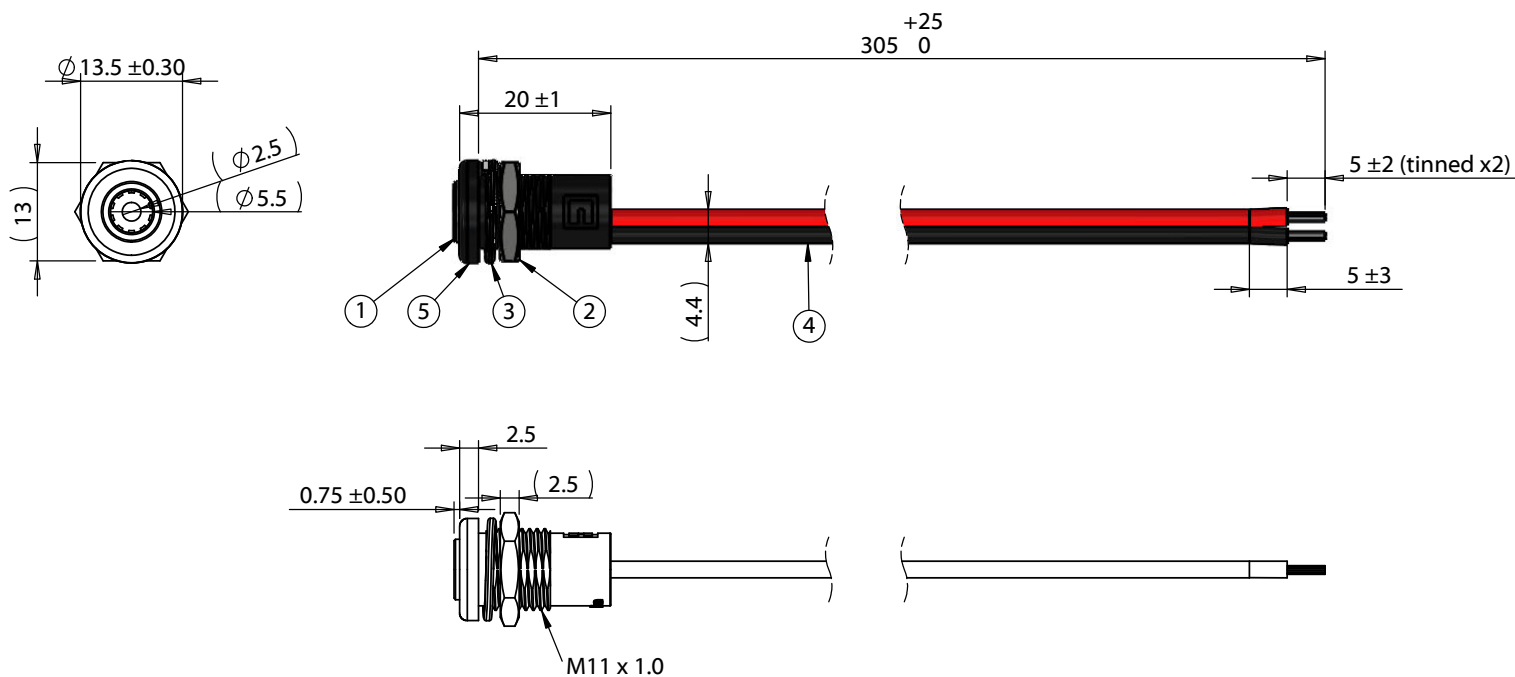


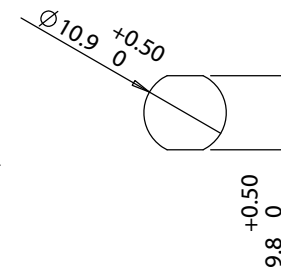
ITEM NO.	PART NUMBER	DESCRIPTION	QTY.	COMPONENT NOTES
1	50-00543	Connector, dc jack, 5.5x2.5x17.6 mm, molding style, spring contacts, nickel plated, 105° C	1	
2	56-00000	Hardware, nut, hex, 13x2.5 mm, M11x1.0, brass, nickel plated	1	
3	56-00001	Hardware, washer, lock, 14x11.1x1.1 mm, SPCC, nickel plated	1	
4	30-00795	Wire, 2C TS, 18 AWG, UL2651, 300V, 105C, 4.4 mm, VW-1, PVC, red and black	1	
5	24-00328	Overmold, panel mount jack, Nylon	1	Nylon UL 94 V-0, black



**Installation Details**

Panel thickness: 1.5 - 4.5

Recommended panel cutout:



**Notes:**

Functionally equivalent components may be substituted  
Cables rated for 48 V, 6A

Wiring Diagram	
50-00543	wire color
center	red
sleeve	black

Revision:	Date:	Description:	Prepared:	Notes:	<h1>TENSILITY</h1> <p>tel 1.541.323.3228 800 877.670.7118 fax 1.541.323.4202 web tensility.com</p>
A	3/27/2020	Initial release	AG <small>Digitally signed by AG Date: 2020.03.31 10:04:03 -07'00'</small>	RoHS compliant	
			Verified: AW <small>Digitally signed by AW Date: 2020.03.31 10:05:29 -07'00'</small>	Function test: no open, no short circuit, no intermittent	
			Dimensions are in millimeters. Tolerances: X: ± 0.5 mm X.X: ± 0.3 mm X.XX: ± 0.05 mm	Description: Cable, 305 mm, 5.5x2.5 mm 50-00543 dc panel mount jack to stripped and tinned, 18 AWG, 30-00795	
				Size: A	Part number: 10-03610
				Scale: 1:1	Sheet 1 of 1

5

↑

4

3

2

1