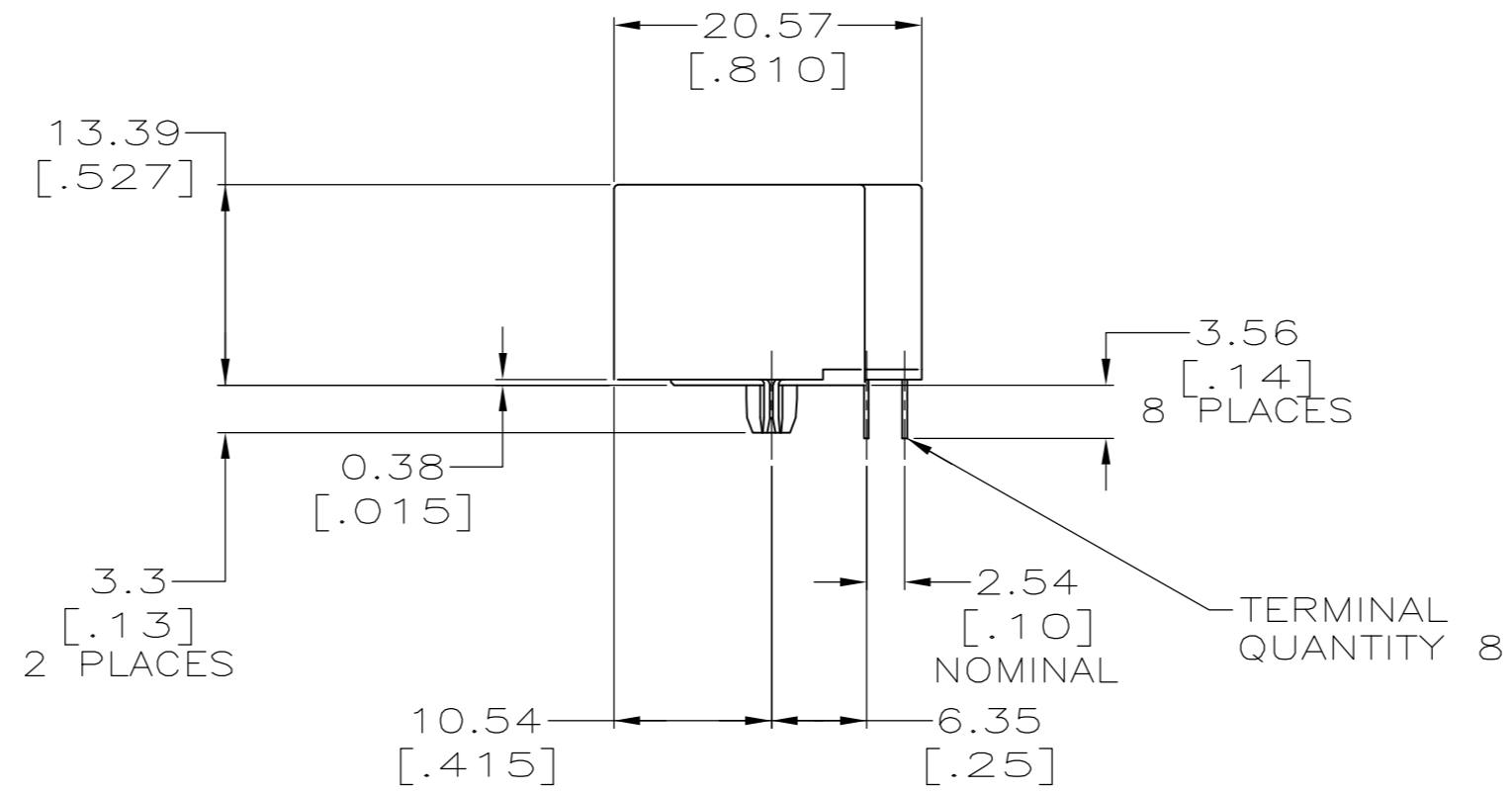
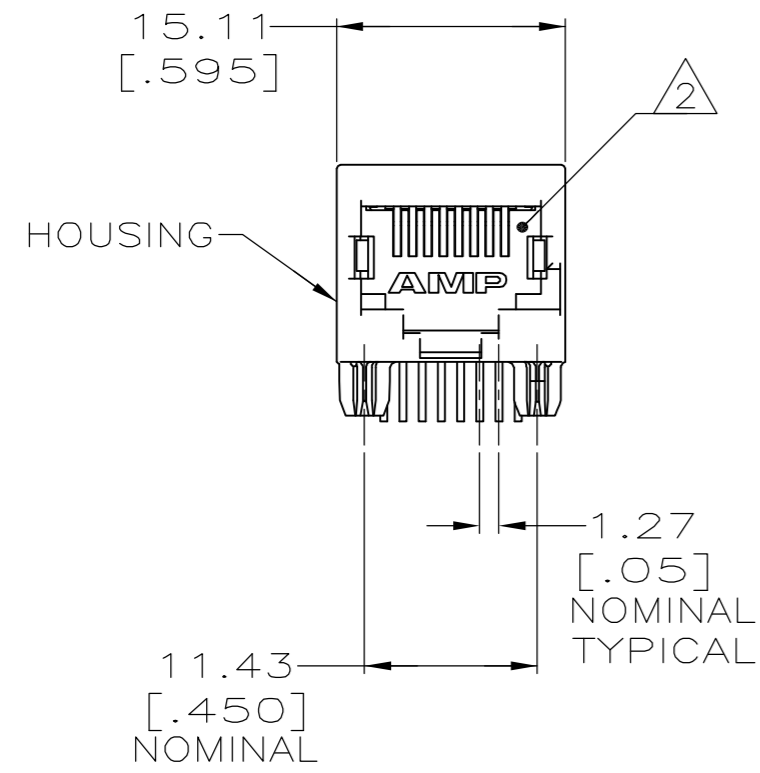
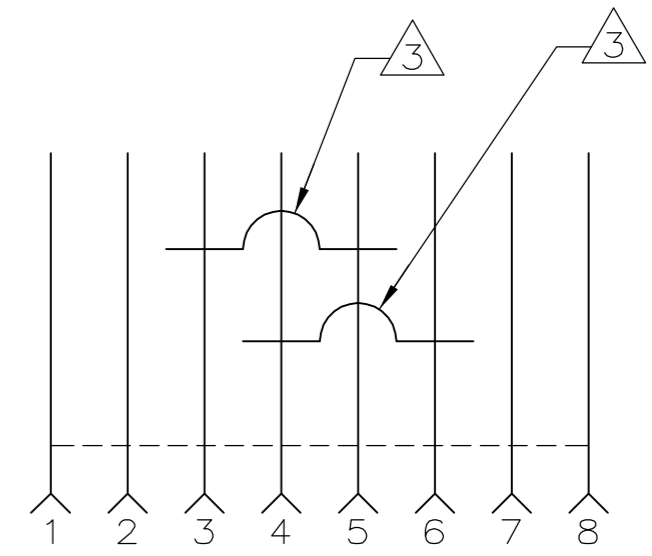
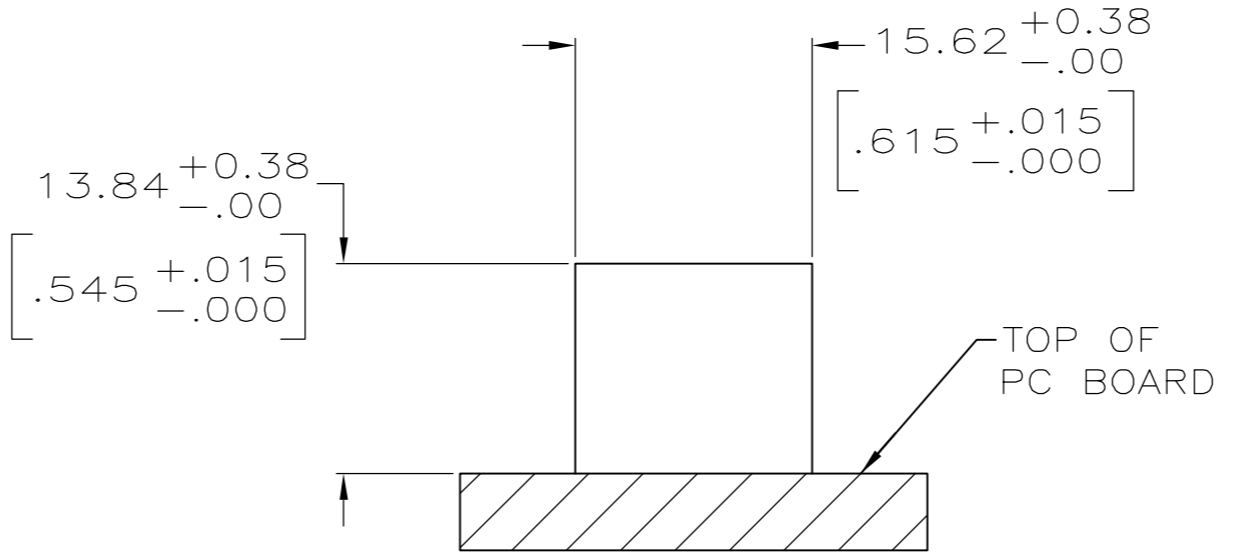
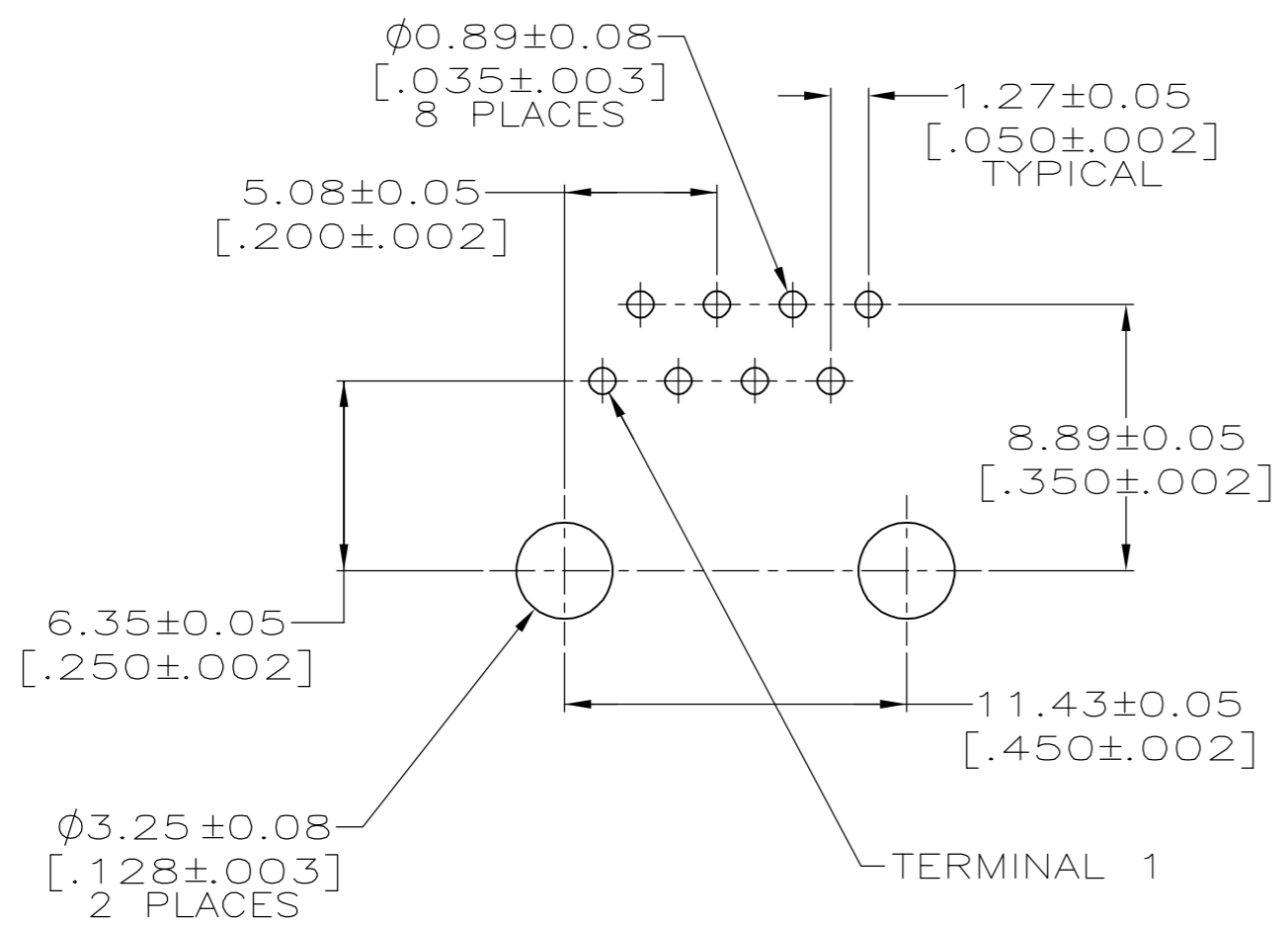


THIS DRAWING IS UNPUBLISHED. RELEASED FOR PUBLICATION  
 © COPYRIGHT BY TYCO ELECTRONICS CORPORATION. ALL RIGHTS RESERVED.

LOC		DIST		REVISIONS			
P	LTR	DESCRIPTION		DATE	DWN	APVD	
AA	22	A	REV PER EC 0S11-0201-04	08JUN2005	LV	SF	



- 1 MATERIAL: HOUSING - HIGH TEMPERATURE NYLON, BLACK, UL 94V-0, IR REFLOW COMPATIBLE. TERMINALS - 0.33[.013] THICK PHOS BRONZE PLATED WITH 1.27μm[.000050] MINIMUM THICK HARD GOLD IN LOCALIZED AREA AND 3.81μm [.000150] MINIMUM THICK MATTE TIN IN SOLDER AREA OVER 1.27μm[.000050] MINIMUM THICK NICKEL UNDERPLATE.
- 2 JACK CAVITY CONFORMS TO FCC RULES AND REGULATIONS, PART 68 SUBPART F.
- 3 SHORT IS REMOVED BY INSERTION OF MODULAR PLUG.



SHORTING FEATURE

SUGGESTED PANEL CUTOUT

SUGGESTED PC BOARD LAYOUT COMPONENT SIDE SCALE 4:1

5569972-1  
 PART NUMBER

THIS DRAWING IS A CONTROLLED DOCUMENT.		DWN L. VARELA - DOCK5 08JUN2005	<b>tyco</b> Tyco Electronics Corporation	
DIMENSIONS: mm [inches]		CHK J. WESTMAN 08JUN2005	Harrisburg, PA 17105-3608	
TOLERANCES UNLESS OTHERWISE SPECIFIED:		APVD S. FLICKINGER 08JUN2005	NAME	
0 PLC ± -	1 PLC ± -	PRODUCT SPEC 108-1163	MODULAR JACK ASSEMBLY, 8 POSITION, KEYED, RIGHT ANGLE, LOW PROFILE, SHORTING, TOKEN RING	
2 PLC ± 0.25[.01]	3 PLC ± 0.13[.005]	APPLICATION SPEC 114-2048	SIZE A2	CAGE CODE 00779
4 PLC ± -	ANGLES ± -	WEIGHT -	DRAWING NO C=5569972	RESTRICTED TO -
MATERIAL 1	FINISH 1	CUSTOMER DRAWING	SCALE 2:1	SHEET 1 OF 1