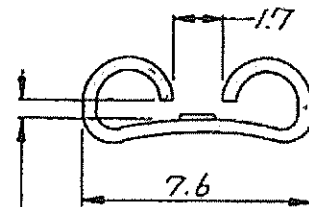
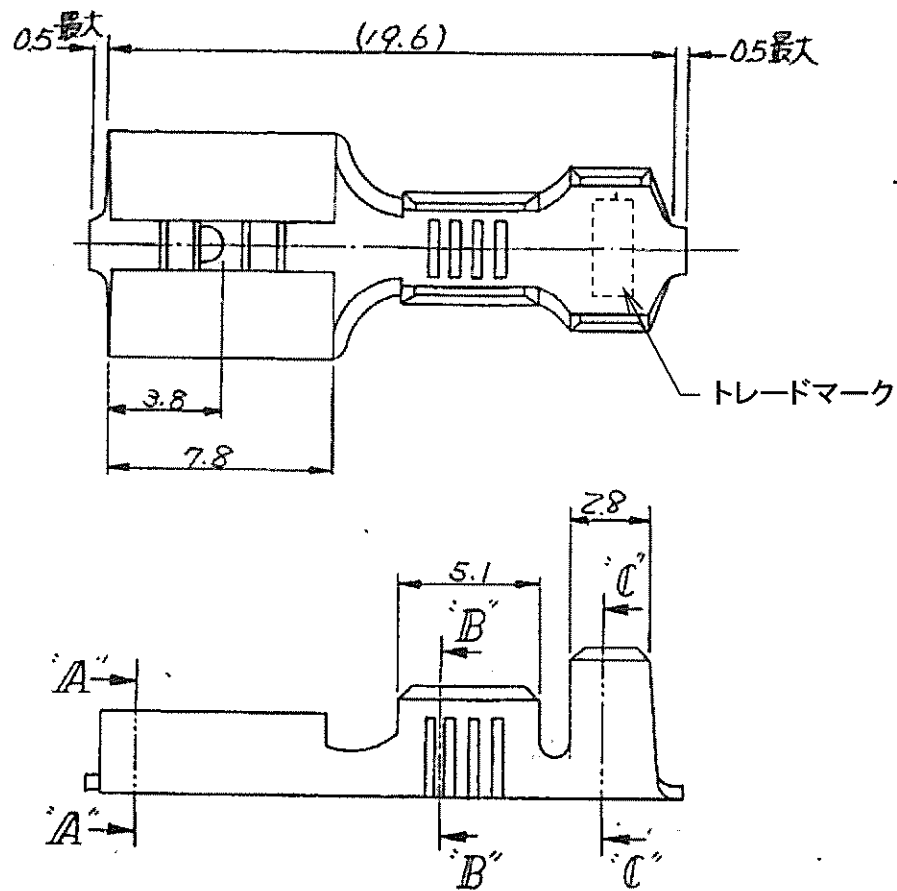
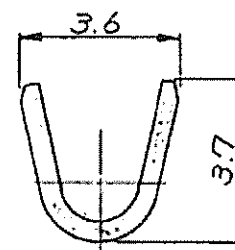


REVISIONS								
LOC	DTST	P	LTR	DESCRIPTION	ECN	DATE	OWN	APVD
J	11		F	REDRAWN WITH CHANGE	EJφφ-4993-96	16 JUL '96	T.N.	ETI
			G	REVISED ECR-07-011381		18 MAY '07	J.S.	S.M.

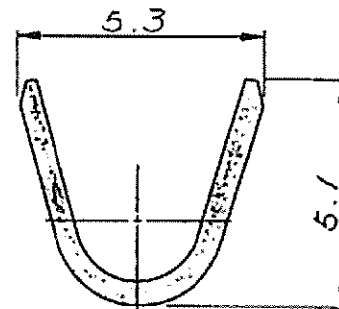


この寸法は嵌合かよて規定寸。

断面 A~A
尺度 8-1



断面 B~B 尺度 8-1



断面 C~C
尺度 8-1

- 注:
- 嵌合タブの詳細は CP-63-048J の図面参照の事。
 - 製品規格番号 108-5006
 - △ ストレス除去処理
処理法により外觀が異なります。
不活性ガス加熱方式.....無光沢
大気加熱方式.....光沢

連鎖状型番	材質	仕上
170046-1	黄銅	—△
170046-2	黄銅	錫めっき
170046-4	焼青銅	錫めっき
① 170046-5	錫めっき黄銅	—

- NOTES:
- SEE DRAWING OF CP-63-048J FOR THE DETAIL OF MATING TAB
 - PRODUCT SPEC 108-5006
 - △. STRESS RELIEVING
FINISH IS SUBJECT TO CHANGE BY THE TYPE OF STRESS RELIEVING PROCESS
INERT GAS FURNACE MATTE
ATMOSPHERIC FURNACE FOLLOWED BY ACID PICKLE --- BRIGHT

THIS DRAWING IS A CONTROLLED DOCUMENT FOR AMP INCORPORATED. IT IS SUBJECT TO CHANGE AND THE CONTROLLING ENGINEERING ORGANIZATION SHOULD BE CONTACTED FOR THE LATEST REVISION.		OWN T. Hatano 16 JUL 96	WIRE RANGE 組合電線断面積 1.25~2.27 mm ² (AWG #16~14)	INSULATION DIA 被覆外径 2.54~4.32 mm (100~170 IN)
DIMENSIONS 単位: mm	TOLERANCES UNLESS OTHERWISE SPECIFIED	CHK Sh. Sugita 18 JUL 96	Tyco Electronics Tyco Electronics AMP K.K. Kawasaki, Japan	
	一般公差 10% ±0.2 20% ±0.25 30% ±0.3 40% ±0.4 50% ±0.5 ±1.0	APP Sh. Sugita 18 JUL 96	NAME 名称 ("250" SERIES FASTON RECEPTACLE)	
	MATERIAL 材質 表参照 (SEE TABLE)	FINISH 仕上 表参照 (SEE TABLE)	PRODUCT SPEC 注記(2)参照 (SEE NOTES (2))	APPLICATION SPEC —#—
CUSTOMER DRAWING		WEIGHT —#—	SIZE A3	CAGE CODE 00779
		DRAWING NO 番号 C=170046		SCALE 尺度 4-1
		SHEET 1 OF 1		REV G