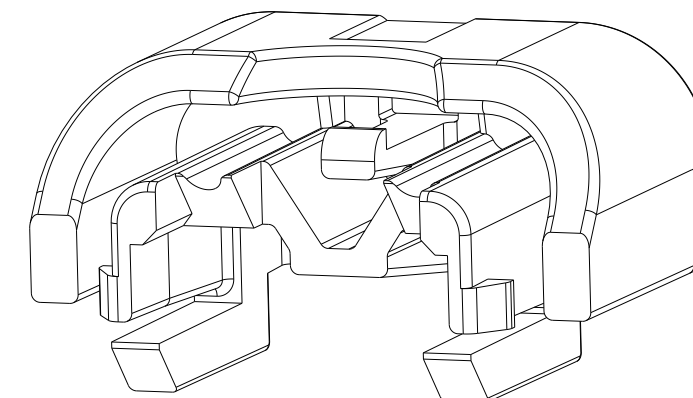
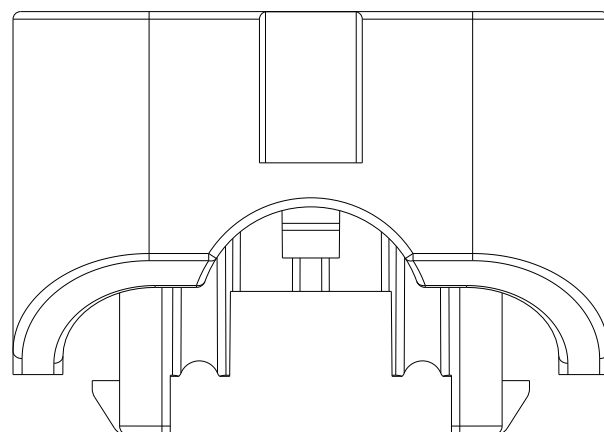
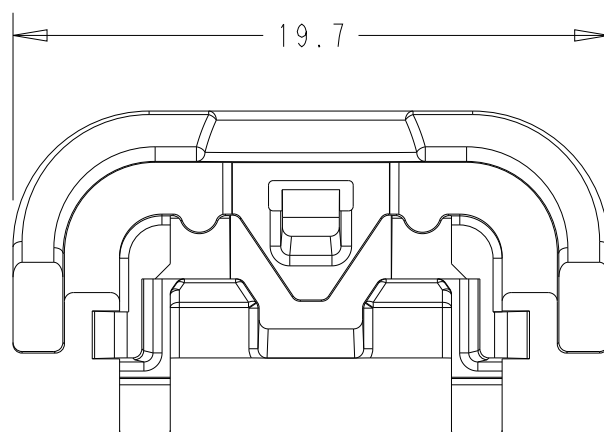


REVISIONS

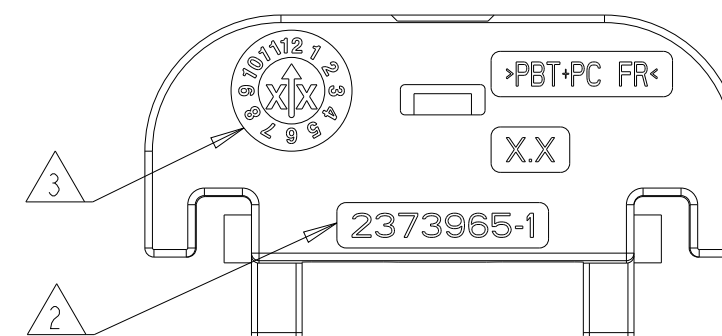
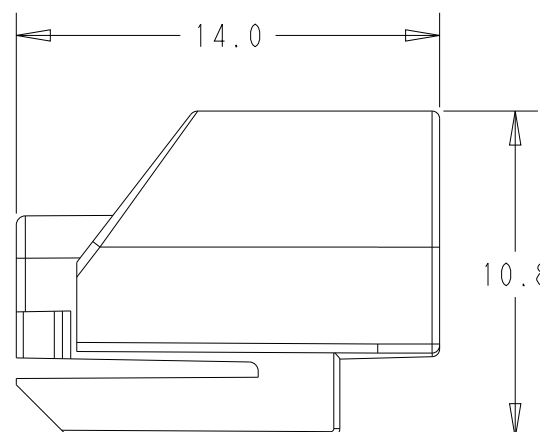
P	LTR	DESCRIPTION	DATE	DWN	APVD
1		ORIGINAL	13MAY2021	DK	DS
A		RELEASE PER ECN-21-127497	19NOV2021	DK	CB



SCALE 4:1



SCALE 4:1



- 1. MATERIAL: PBT-PC FR, COLOR: RED
- 2. TE CONNECTIVITY PART NUMBER
- 3. DATE CODE (YEAR & MONTH)

2373965-1
PART NUMBER

THIS DRAWING IS A CONTROLLED DOCUMENT.		DWN D. KELLER 13MAY2021			
DIMENSIONS: mm		CHK D. STRAUSSER 13MAY2021			
TOLERANCES UNLESS OTHERWISE SPECIFIED:		APVD	NAME CPA AMPSEAL		
0 PLC ±-		PRODUCT SPEC 108-160438	SIZE A3		
1 PLC ±0.4		APPLICATION SPEC 114-16016	CAGE CODE 00779	DRAWING NO C-2373965	RESTRICTED TO -
2 PLC ±-		WEIGHT 1.3g	SCALE 3:1 SHEET 1 OF 1 REV A		
3 PLC ±-		CUSTOMER DRAWING			
4 PLC ±-					
ANGLES ±-					
FINISH -					
MATERIAL SEE NOTES					