

ADIS16300

OUTLINE DIMENSIONS

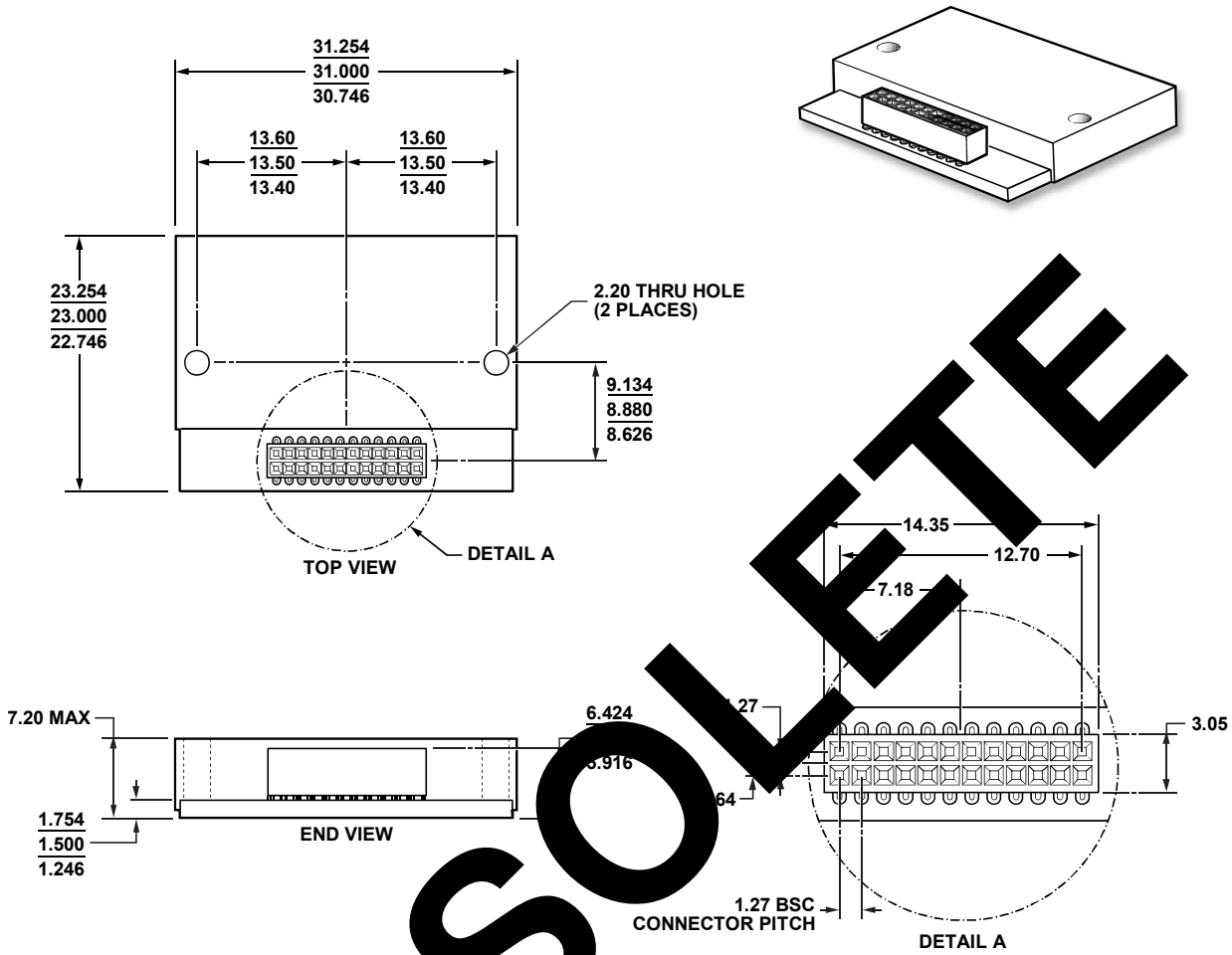


Fig. 16. 24-Lead Module with Connector Interface (ML-24-4)
Dimensions shown in millimeters

090308-A

ORDERING GUIDE

Model	Temperature Range	Package Description	Package Option
ADIS16300AMLZ ¹	-40 to +85°C	24-Lead Module with Connector Interface	ML-24-4

¹ Z = RoHS Compliant Part.