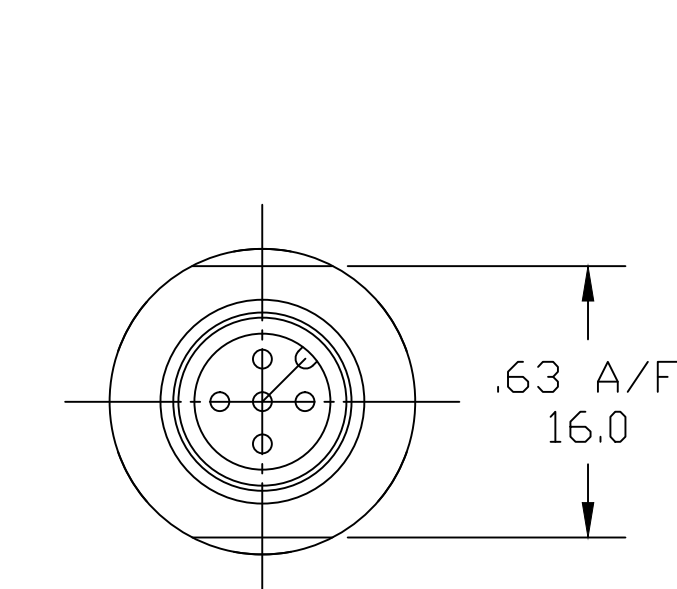


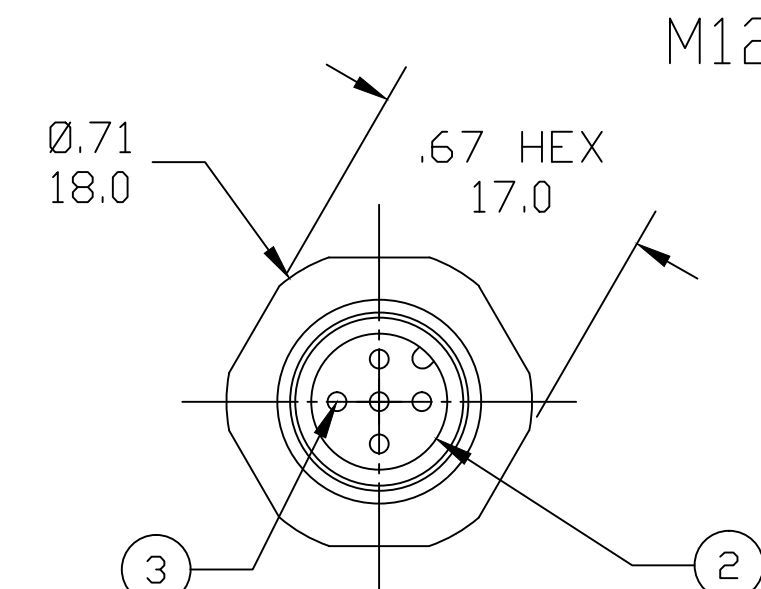
MALE FACE VIEWS (B)			
3P	4P	5P	8P
Pin Wire color 1 BROWN 2 3 BLUE 4 BLACK	Pin Wire color 1 BROWN 2 WHITE 3 BLUE 4 BLACK	Pin Wire color 1 BROWN 2 WHITE 3 BLUE 4 BLACK 5 GRAY	Pin Wire color 1 WHITE 2 BROWN 3 GREEN 4 YELLOW 5 GRAY 6 PINK 7 BLUE 8 RED

Part No. MATRIX

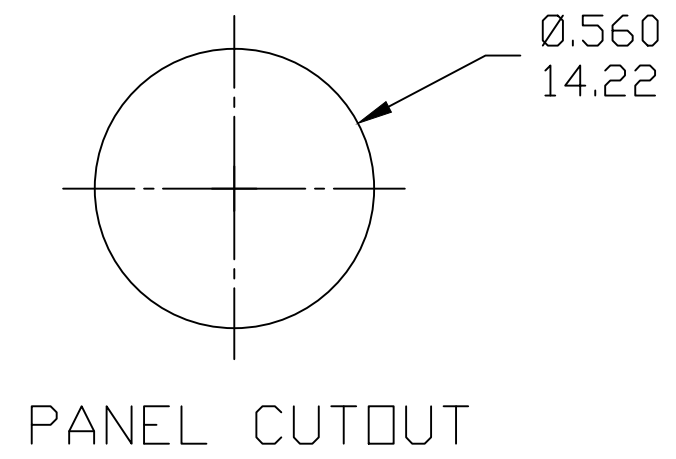
8	R	4	E	3	6	E	0	3	C	3	0	0	3
Micro Change Receptacle	Poles 3, 4, 5, & 8	Male Contact Male Thread M12 M14x1 Mounting Thread	E02=0.25mm (24 AWG) PVC E03=0.34mm (22 AWG) PVC	C=CENTIMETRES M=METERS	LENGTH C030=3cm C300=30cm M010=1 Meter M100=10 Meters	Shell Material 1=Stainless Steel 3=Brass Nickel Plated (Std) 5=Plastic (Delrin)							



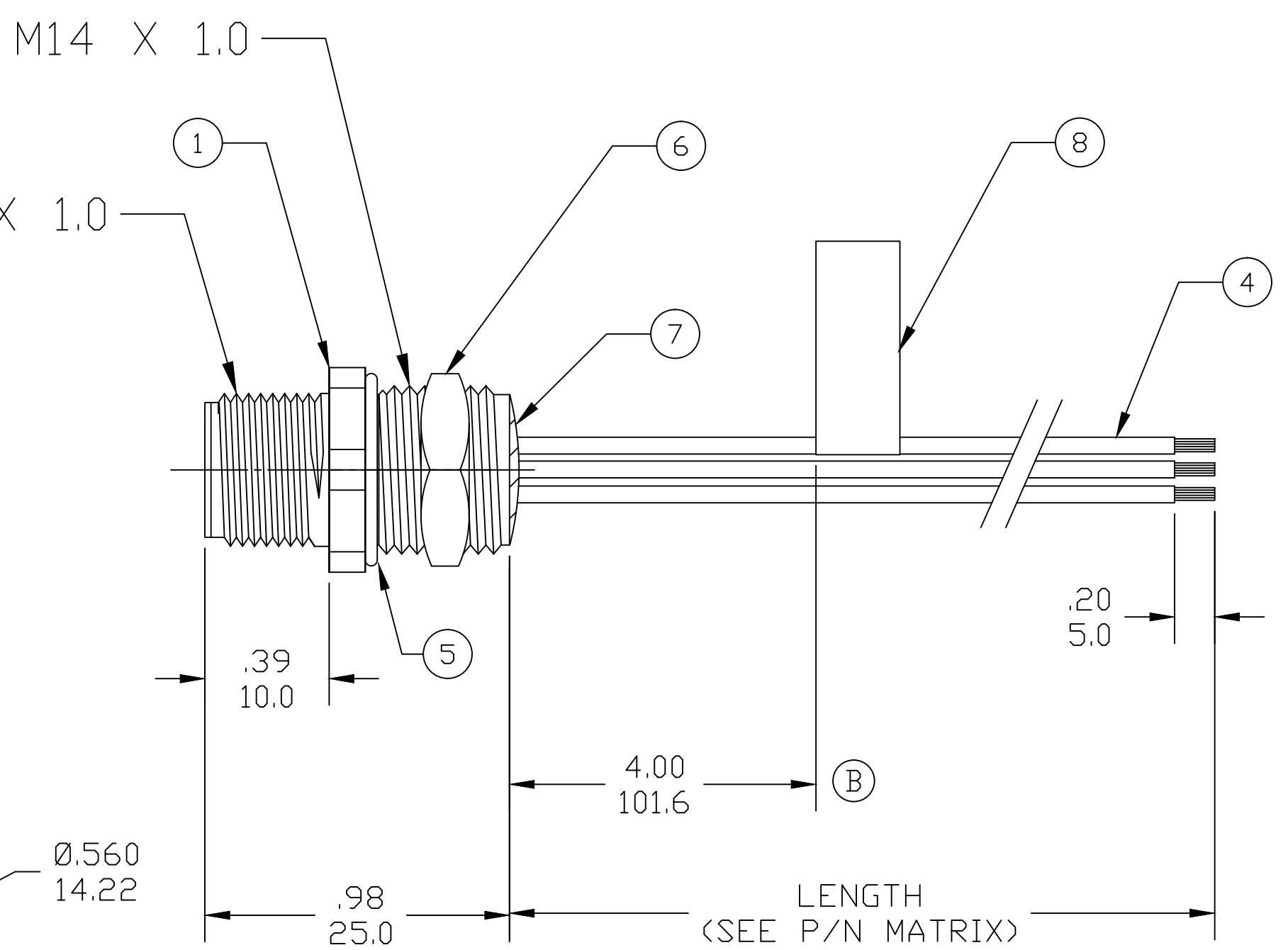
FLANGE DETAIL (PLASTIC SHELL)



FLANGE DETAIL (SS & BRASS SHELL)



PANEL CUTOUT



- NOTES:
 1. MATERIAL: SEE TABLE
 2. FINISH: SEE TABLE
 3. ELECTRICAL:
 VOLTAGE: 250V AC/DC
 CURRENT: 4A
 4. TEMP RATING: -20° TO +80°C
 5. PROTECTION: IP67 (WHEN MATED)
 6. ALL DIMS ARE FOR REFERENCE UNLESS NOTED OTHERWISE

TABLE

ITEM	DESCRIPTION	MATERIAL	FINISH
8	FLAG LABEL	VINYL	BLACK/YELLOW
7	POTTING MATERIAL	PUR	
6	LOCKNUT	STEEL	ZINC PLATED
5	O-RING	NBR	BLACK
4	WIRE, (SEE P/N MATRIX)	PVC INSULATION	SEE FACE VIEWS
3	CONTACT PIN	COPPER ALLOY	GOLD PLATED
2	MALE INSERT	NYLON	BLACK
1	RECEPTACLE SHELL	SEE PART NO MATRIX	SEE PART NO MATRIX

CORRECT PINOUTS, ADD LABEL DIM EC NO.: IPG2018-0315 DRWN: RSTONE 12/12/17 CHKD: M ZIELIN 2017/12/12 APPR: BWOODMAN2017/01/03	QUALITY SYMBOL	GENERAL TOLERANCES (UNLESS SPECIFIED)		DIMENSION STYLE		SCALE	DESIGN UNITS	THIRD ANGLE PROJECTION	
	▽=0 ∇=0	mm INCH		IN/MM		---	METRIC	DRAWN BY DATE	
		4 PLACES	±---	±---	RSTONE 2016/12/09				
		3 PLACES	±---	±---	CHECKED BY DATE				
ANGULAR ±---°		DRAFT WHERE APPLICABLE MUST REMAIN WITHIN DIMENSIONS		APPROVED BY DATE		TITLE		SHEET NO.	
C		MATERIAL NO. ---		BWOODMAN 2017/01/03		MOLEX INCORPORATED			1 OF 1
THIS DRAWING CONTAINS INFORMATION THAT IS PROPRIETARY TO MOLEX INCORPORATED AND SHOULD NOT BE USED WITHOUT WRITTEN PERMISSION				DOCUMENT NO.		SD-120070-236			