

MATERIALS AND FINISHES:

73158-0020 (NON MAGNETIC)

BODY, OUTER CONTACT, CONTACT: BERYLLIUM COPPER
 PLATED: GOLD (8μ-in MIN) OVER NICKEL (80μ-in MIN)

CRIMP TUBE: BERYLLIUM COPPER
 PLATED: GOLD (5μ-in MIN) OVER NICKEL (80μ-in MIN)

RETAINING CLIP: BERYLLIUM COPPER
 PLATED: TRI-M (80μ-in MIN)

INSULATOR: PTFE

73518-0021 (STANDARD)

BODY: BRASS
 PLATED: GOLD (5μ-in MIN) OVER NICKEL (50μ-in MIN)

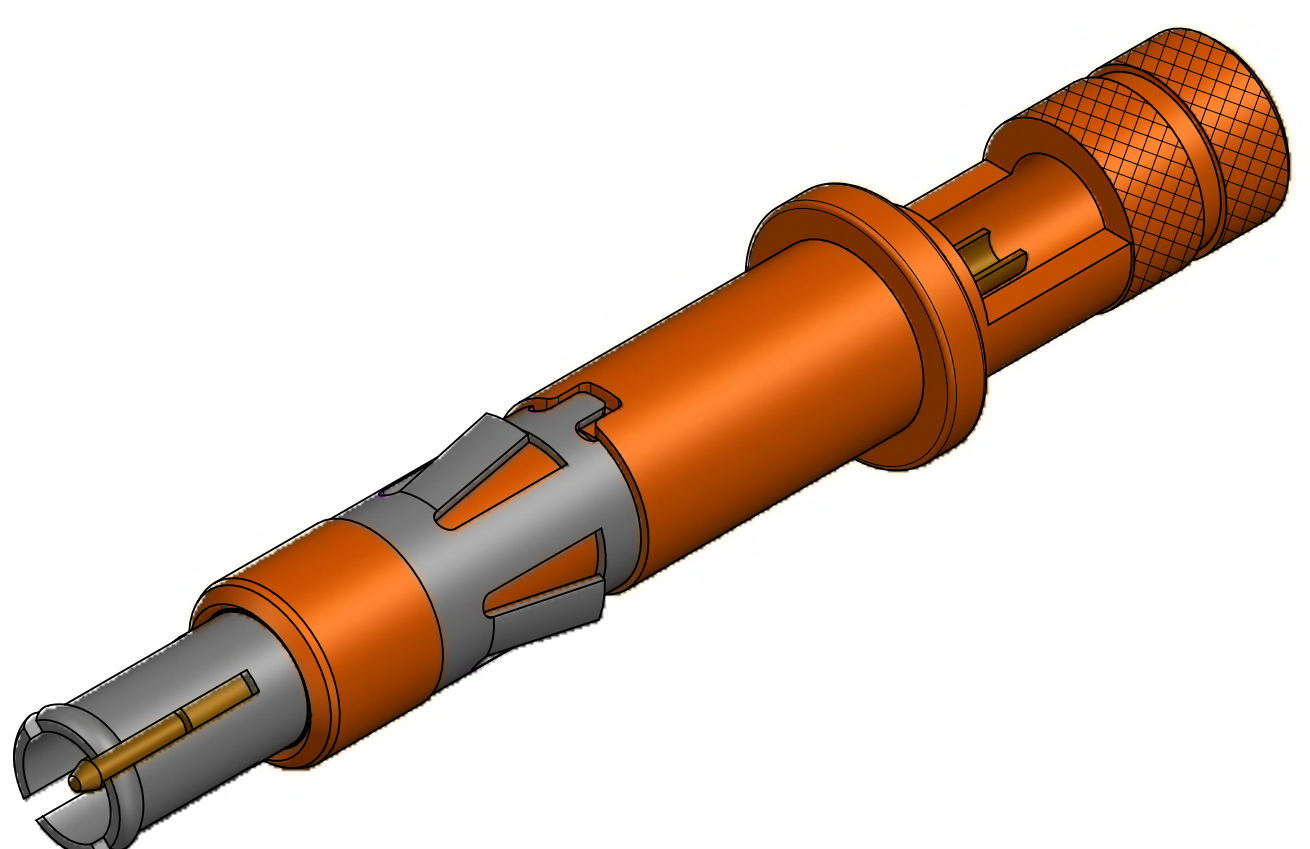
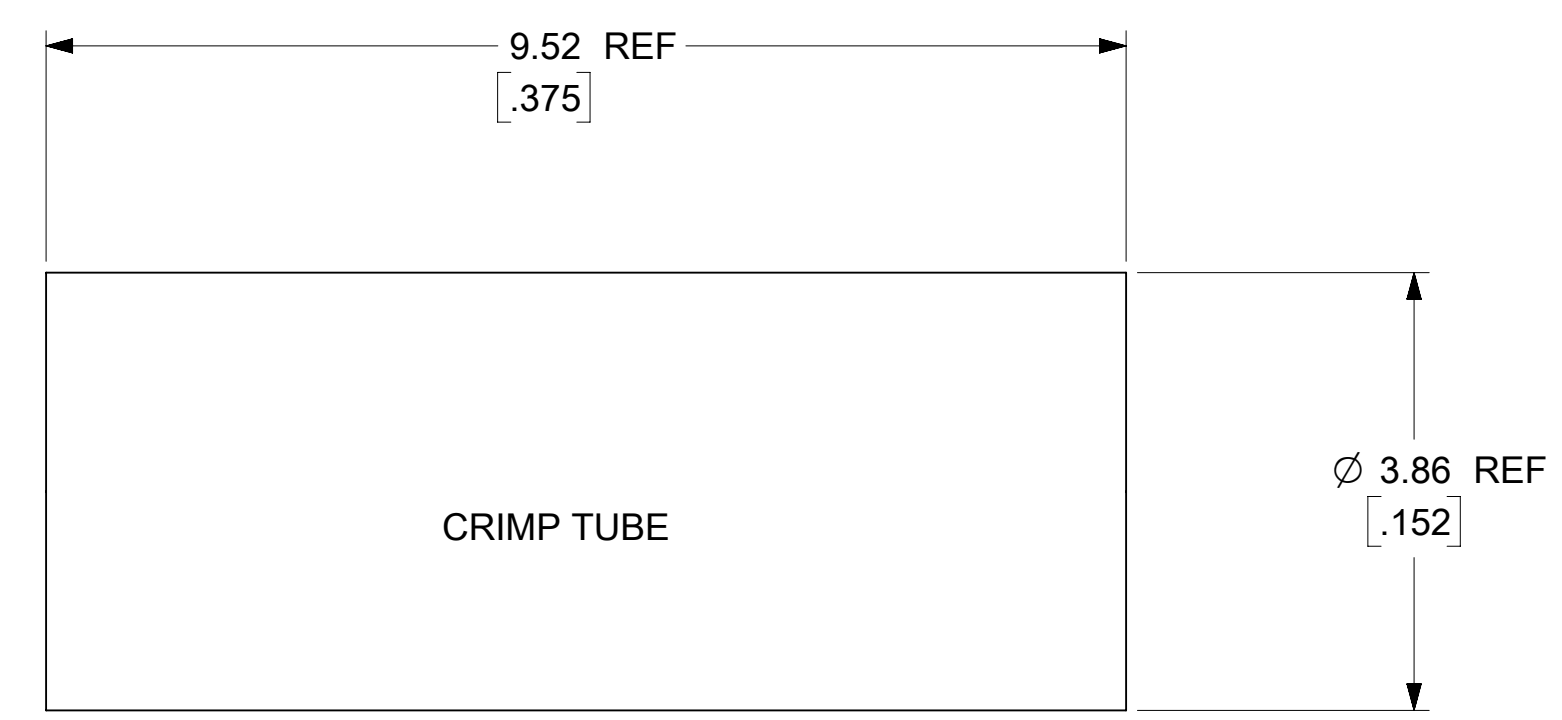
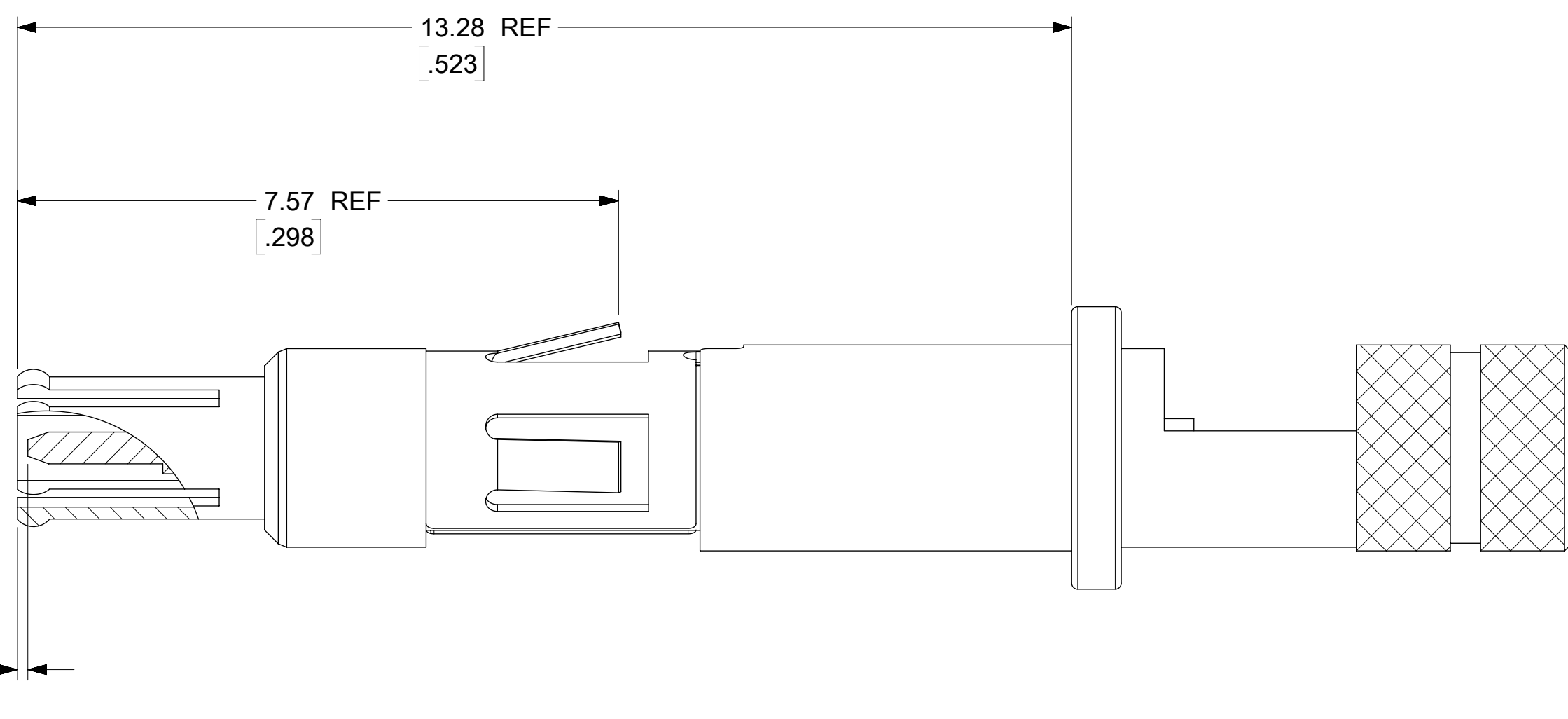
OUTER CONTACT: BERYLLIUM COPPER
 PLATED: GOLD (8μ-in MIN) OVER NICKEL (80μ-in MIN)

CRIMP TUBE: BRASS
 PLATED: NICKEL (100μ-in MIN)

CONTACT: BRASS
 PLATED: GOLD (10μ-in MIN) OVER NICKEL (100μ-in MIN)

RETAINING CLIP: BERYLLIUM COPPER
 PLATED: TRI-M (80μ-in MIN)

INSULATOR: PTFE



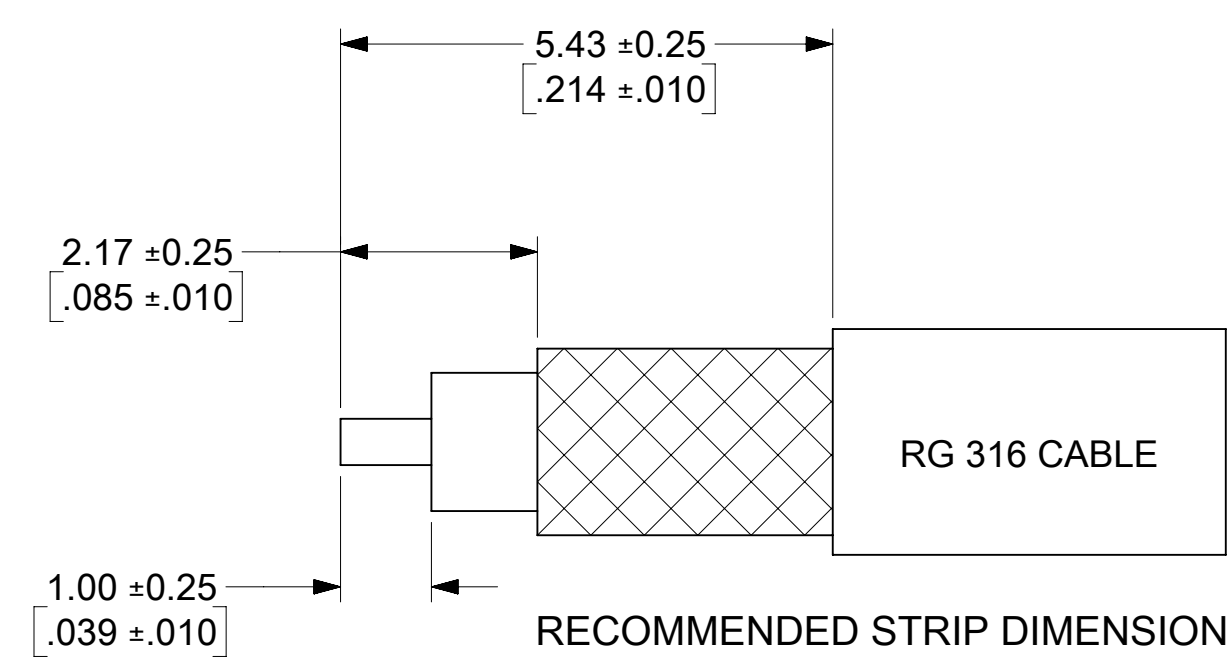
73158-0021	STANDARD	TRAY
73158-0020	NON-MAGNETIC	TRAY
PART NO.	DESCRIPTION	PACKAGING

DOCUMENT STATUS	P1	RELEASE DATE	2021/04/29	15:21:07
-----------------	----	--------------	------------	----------

FUNCTIONAL SYMBOLS FA = 0 FC = 0 FP = 0	THIS DRAWING CONTAINS INFORMATION THAT IS PROPRIETARY TO MOLEX ELECTRONIC TECHNOLOGIES, LLC AND SHOULD NOT BE USED WITHOUT WRITTEN PERMISSION										
	DIMENSION UNITS		SCALE		CURRENT REV DESC: ECN662329; RESTRICTED** FIELD IN ECTR CHANGING FROM RESTRICTED TO GENERAL MARKET						
	MM/IN	NTS									
	GENERAL TOLERANCES (UNLESS SPECIFIED)					EC NO: 662329					DOCUMENT NUMBER: SD-73158-002 DOC TYPE: PSD DOC PART: 001 REVISION: D1
		MM	INCH			DRWN: JBORRELLI 2021/04/28		PRODUCT CUSTOMER DRAWING			
DIVISIONAL SYMBOLS		4 PLACES ±		±		DRWN: LMEIER 2021/04/28					
		3 PLACES ±		±		APPR: KTAGAN 2021/04/29					
		2 PLACES ±		±		INITIAL REVISION:					
		1 PLACE ±		±		DRWN: SSHAH 2013/06/10					
		0 PLACES ±		±		APPR: JWIENER 2013/06/28					
		ANGULAR TOL ± 2.0 °				THIRD ANGLE PROJECTION		DRAWING		SHEET NUMBER	
		DRAFT WHERE APPLICABLE MUST REMAIN WITHIN DIMENSIONS						C-SIZE		73158	
								MATERIAL NUMBER		CUSTOMER	
								SEE TABLE		1 OF 2	

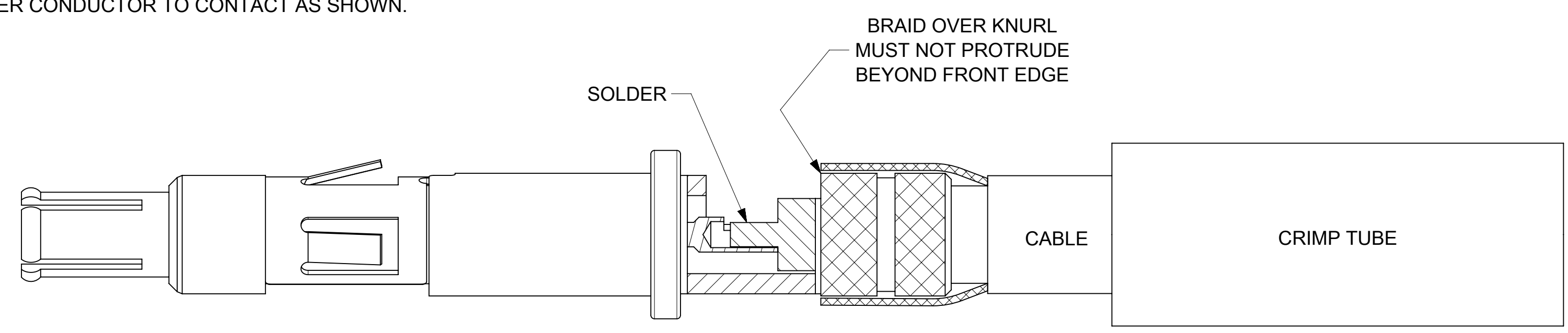
1

CUT AND STRIP CABLE PER DIMENSION SHOWN.



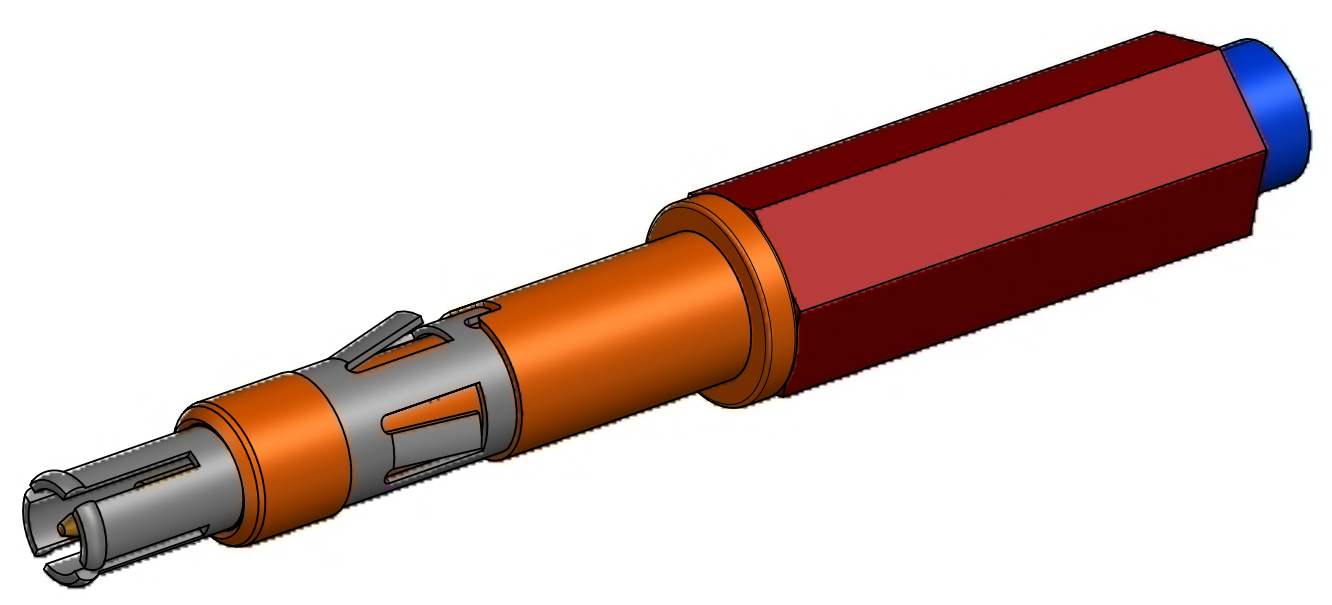
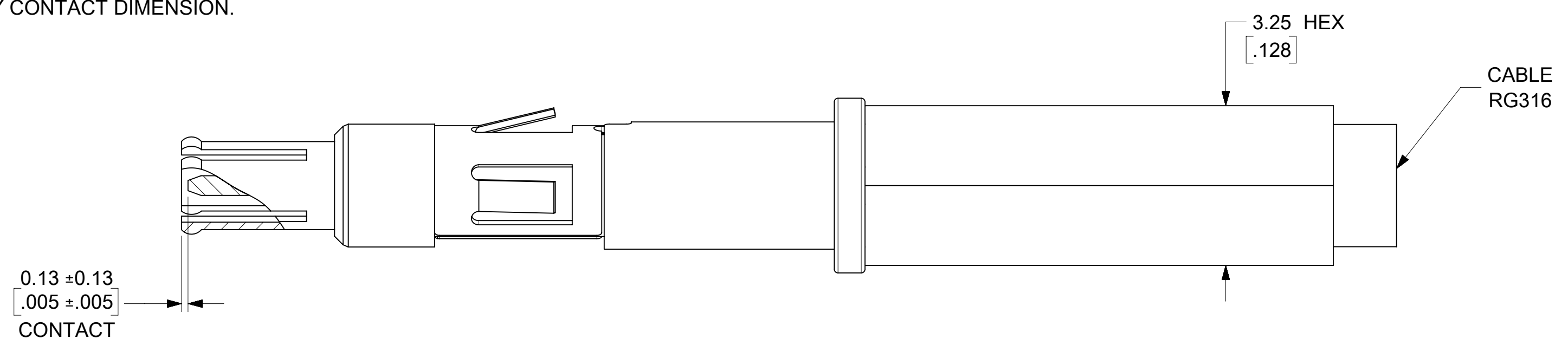
2

1. FLARE BRAID AND INSERT CABLE INTO CONNECTOR UNTIL CABLE DIELECTRIC BOTTOMS ON CONTACT. MAKE SURE CABLE BRAID DOES NOT PROTRUDE BEYOND FRONT EDGE AS SHOWN.
2. SOLDER CABLE CENTER CONDUCTOR TO CONTACT AS SHOWN.



3

1. POSITION CRIMP TUBE FLUSH TO BODY FLANGE AS SHOWN AND CRIMP IT TO 3.25 [.128] HEX SIZE.
2. VERIFY CONTACT DIMENSION.



FUNCTIONAL SYMBOLS	THIS DRAWING CONTAINS INFORMATION THAT IS PROPRIETARY TO MOLEX ELECTRONIC TECHNOLOGIES, LLC AND SHOULD NOT BE USED WITHOUT WRITTEN PERMISSION										
	DIMENSION UNITS		SCALE		CURRENT REV DESC: ECN662329; RESTRICTED** FIELD IN ECTR CHANGING FROM RESTRICTED TO GENERAL MARKET						
$\frac{F}{A} = 0$	MM/IN		NTS								
$\frac{F}{C} = 0$	GENERAL TOLERANCES (UNLESS SPECIFIED)										
DIVISIONAL SYMBOLS	4 PLACES		±	±							
	3 PLACES		±	±							
	2 PLACES		±	±							
	1 PLACE		±	±							
	0 PLACES		±	±							
ANGULAR TOL		± 2.0 °									
DRAFT WHERE APPLICABLE MUST REMAIN WITHIN DIMENSIONS				THIRD ANGLE PROJECTION		DRAWING		SERIES		MATERIAL NUMBER	
						C-SIZE		73158		SEE TABLE	
										SHEET NUMBER	
										2 OF 2	

molex

MPRF PLUG STR RG316
50 OHMS RETENTION CLIP EWR-4585 MPRF-PC

PRODUCT CUSTOMER DRAWING

SD-73158-002

PSD 001 D1