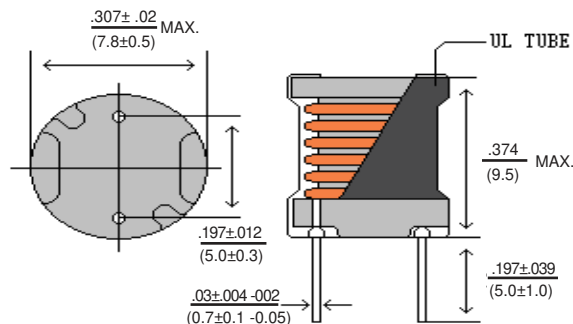


RB895 Radial Power Choke



Dimensions: $\frac{\text{Inches}}{\text{(mm)}}$

Features

- Small Foot print.
- Extensive Inductance Range
- High Temp Range

Electrical

Inductance Range: 10uh~47000uh

Tolerance: 10uh~18uh 20%, 22uh~47uh.10% Also available in tighter tolerances.

Test Frequency: 10uH~82uH @2.52MHz, 100uh to 47mH @ 1KHz

Operating Temp: -55°C to + 125°C

Rated Current: Based on inductance change by no more than 10% of initial value.

Physical

Packaging: 500 / Tray, 1000 / Ammo Box

Marking: EIA Inductance Code

Allied Part Number	Inductance (±h)	Test Frequency (%)	DCR (Ohms) Max	Rated (mA)
RB895-100M-RC	10	2.52 MHz	0.04	2600
RB895-120M-RC	12	2.52 MHz	0.04	2600
RB895-150M-RC	15	2.52 MHz	0.05	2100
RB895-180M-RC	18	2.52 MHz	0.05	2000
RB895-220K-RC	22	2.52 MHz	0.06	1700
RB895-270K-RC	27	2.52 MHz	0.06	1600
RB895-330K-RC	33	2.52 MHz	0.07	1400
RB895-390K-RC	39	2.52 MHz	0.08	1400
RB895-470K-RC	47	2.52 MHz	0.10	1300
RB895-560K-RC	56	2.52 MHz	0.11	1200
RB895-680K-RC	68	2.52 MHz	0.14	1100
RB895-820K-RC	82	2.52 MHz	0.16	1000
RB895-101K-RC	100	1KHz	0.19	900
RB895-121K-RC	120	1KHz	0.22	820
RB895-151K-RC	150	1KHz	0.27	740
RB895-181K-RC	180	1KHz	0.31	710
RB895-221K-RC	220	1KHz	0.38	640
RB895-271K-RC	270	1KHz	0.53	570
RB895-331K-RC	330	1KHz	0.61	510
RB895-391K-RC	390	1KHz	0.69	480
RB895-471K-RC	470	1KHz	0.89	430
RB895-561K-RC	560	1KHz	1.01	400
RB895-681K-RC	680	1KHz	1.18	350
RB895-821K-RC	820	1KHz	1.57	320
RB895-102K-RC	1000	1KHz	1.84	300
RB895-122K-RC	1200	1KHz	2.10	270
RB895-152K-RC	1500	1KHz	2.80	230
RB895-182K-RC	1800	1KHz	3.21	210
RB895-222K-RC	2200	1KHz	4.21	190
RB895-272K-RC	2700	1KHz	4.94	170
RB895-332K-RC	3200	1KHz	6.16	150
RB895-392K-RC	3900	1KHz	6.84	140
RB895-472K-RC	4700	1KHz	7.89	130
RB895-562K-RC	5600	1KHz	11.5	120
RB895-682K-RC	6800	1KHz	13.2	110
RB895-822K-RC	8200	1KHz	15.3	100
RB895-103K-RC	10000	1KHz	22.0	89
RB895-123K-RC	12000	1KHz	25.0	73
RB895-153K-RC	15000	1KHz	29.1	68
RB895-183K-RC	18000	1KHz	38.9	66
RB895-223K-RC	23000	1KHz	44.9	59
RB895-273K-RC	27000	1KHz	55.2	52
RB895-333K-RC	33000	1KHz	64.2	48
RB895-393K-RC	39000	1KHz	74.2	42
RB895-473K-RC	47000	1KHz	96.4	38

All specifications subject to change without notice.