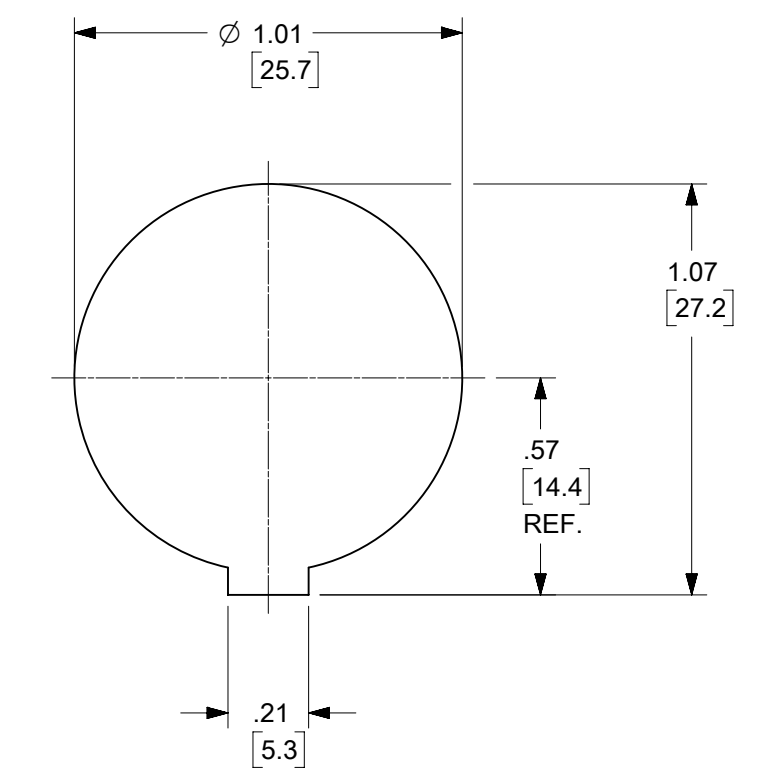


BACK VIEW
PANEL NUT & GASKET
NOT SHOWN



REF. PANEL MOUNT
THRU HOLE

- NOTES:
1. MATERIAL: SEE TABLE
 2. FINISHES: SEE TABLE
 3. PRODUCT SPEC: PS-84700-001
 4. ELECTRICAL SPECS:
VOLTAGE RATING: 150VAC
CURRENT: 1.5A
 5. OPERATING TEMP: -40°C TO +85°C
 6. LOCKNUT TIGHTENING TORQUE: 25 ±5 IN-LBS
 7. PANEL THICKNESS: .062 TO .125 (1.5mm TO 3mm)
 8. PCB ASSEMBLY PUSHOUT: 20 LBS.
 9. DIMS SHOWN ARE FOR REFERENCE UNLESS TOLERANCED OR NOTED OTHERWISE

ITEM	DESCRIPTION	MATERIAL	FINISH
4	PCB, RJ45 DUAL RECEPTACLE	PCB, MOD. JACK	
3	LOCK-NUT	STEEL	ZINC PLATED
2	PANEL GASKET	NEOPRENE	BLACK
1	RECEPTACLE HOUSING	PBT	BLACK

FUNCTIONAL SYMBOLS	THIS DRAWING CONTAINS INFORMATION THAT IS PROPRIETARY TO MOLEX ELECTRONIC TECHNOLOGIES, LLC AND SHOULD NOT BE USED WITHOUT WRITTEN PERMISSION				CURRENT REV DESC: REDRAN TO NX				
	DIMENSION UNITS	SCALE							
$\frac{F}{A} = 0$	INCH/MM	2:1							
$\frac{F}{C} = 0$	GENERAL TOLERANCES (UNLESS SPECIFIED)								
DIVISIONAL SYMBOLS	4 PLACES	±	±	EC NO: 643820					
	3 PLACES	±	±	DRWN: RSTONE	2019/04/12				
	2 PLACES	±	±	CHK'D: ALEON01	2020/08/25				
	1 PLACE	±	±	APPR: BWOODMAN	2020/08/27				
	0 PLACES	±	±	INITIAL REVISION:					
	ANGULAR TOL	±	°	DRWN: r. stone	2002/05/14				
	DRAFT WHERE APPLICABLE MUST REMAIN WITHIN DIMENSIONS	THIRD ANGLE PROJECTION		APPR: P. WALTZ	2002/11/12				
		DRAWING	SERIES	DOCUMENT NUMBER		DOC TYPE	DOC PART	REVISION	
		C-SIZE	84700	SD-84700-007		PSD	001	C1	
				MATERIAL NUMBER	CUSTOMER	SHEET NUMBER			
				847000001	GENERAL MARKET	1 OF 1			