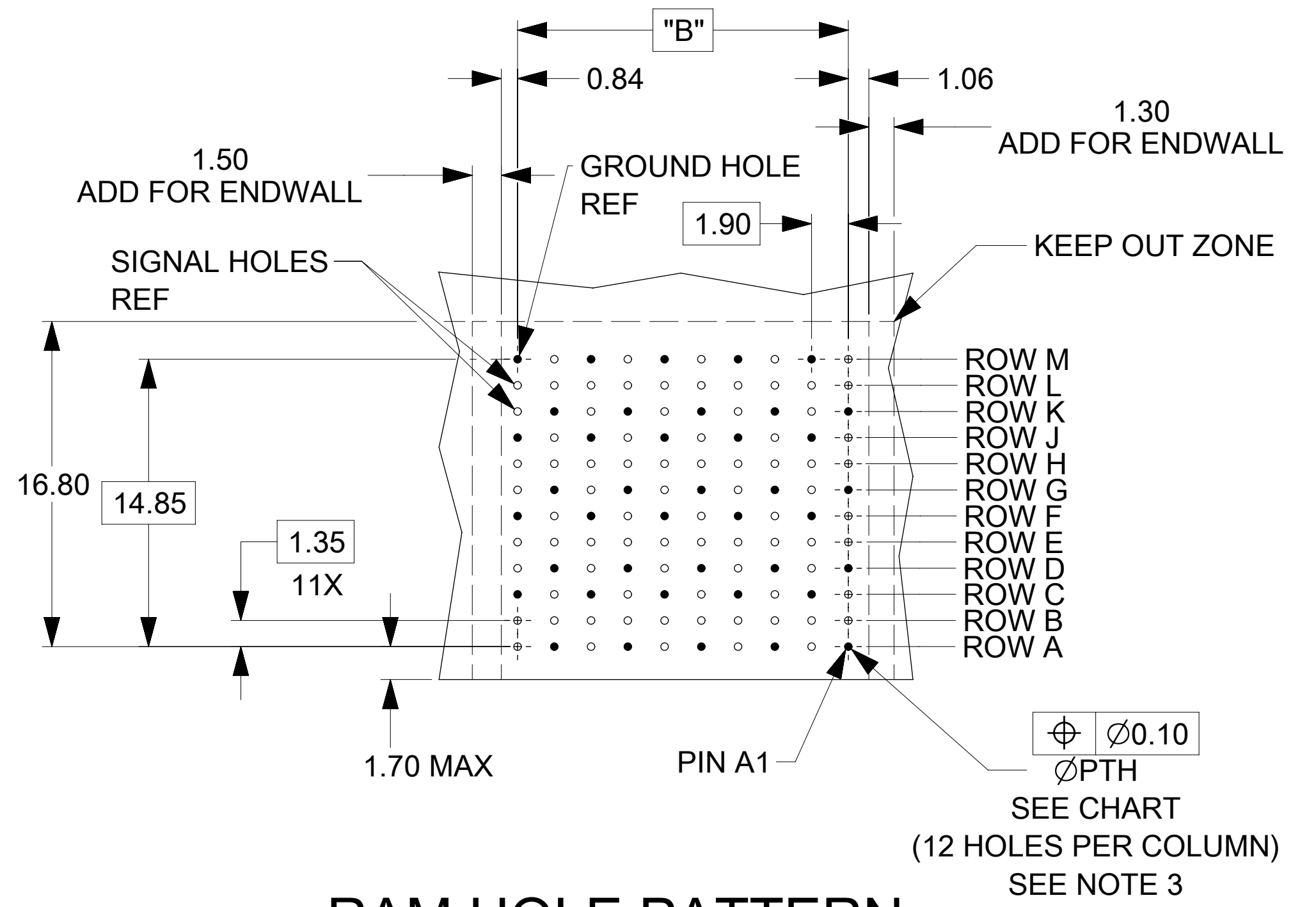
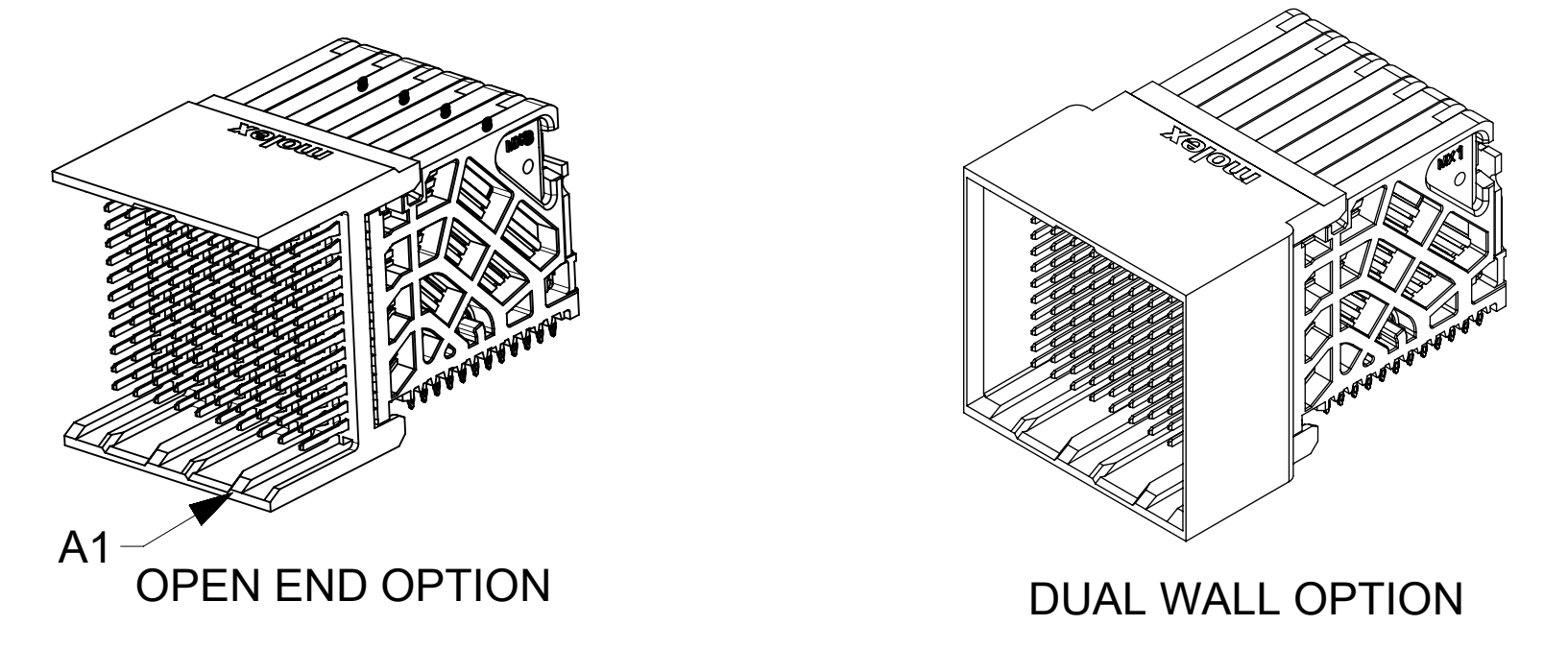
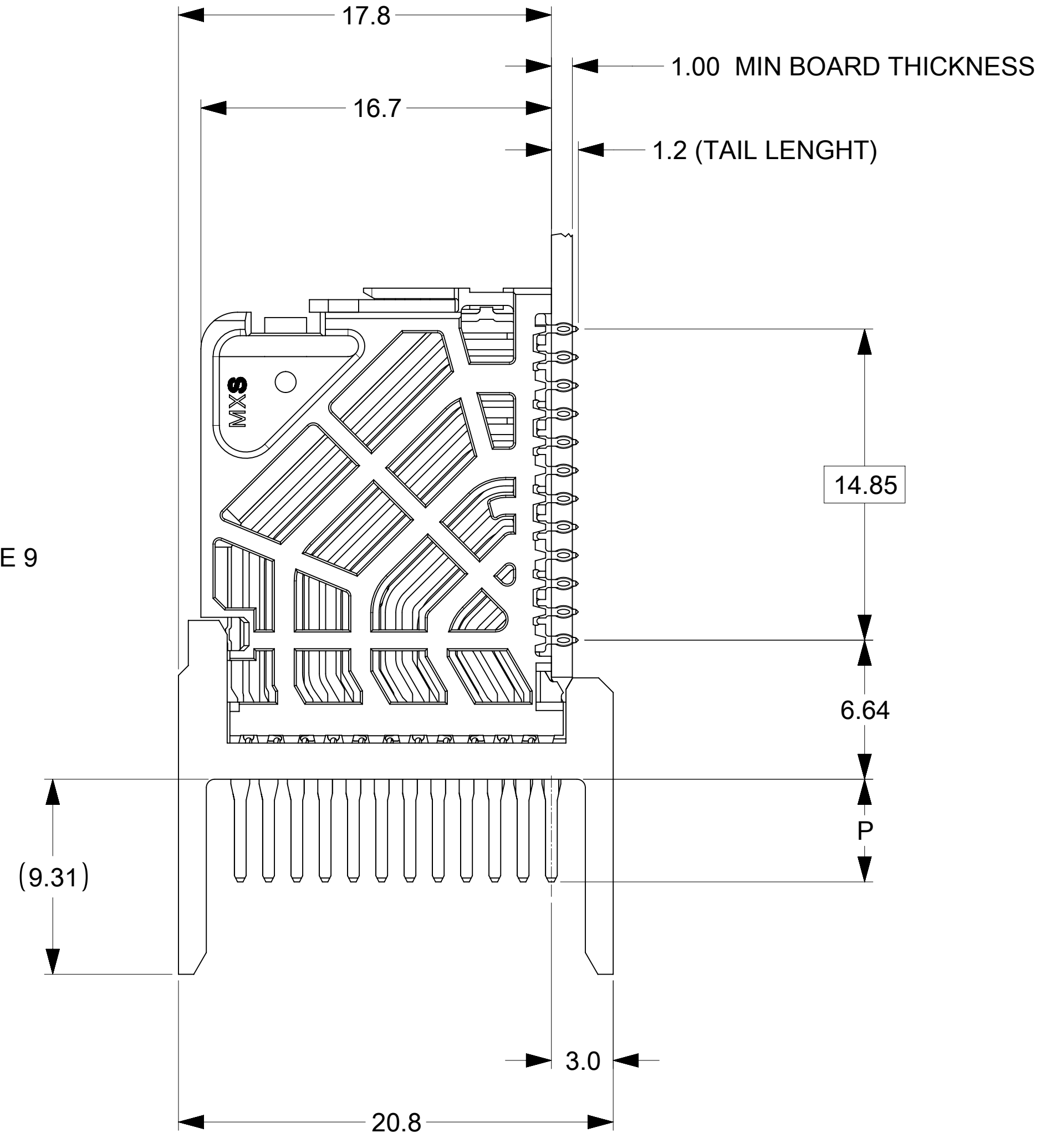
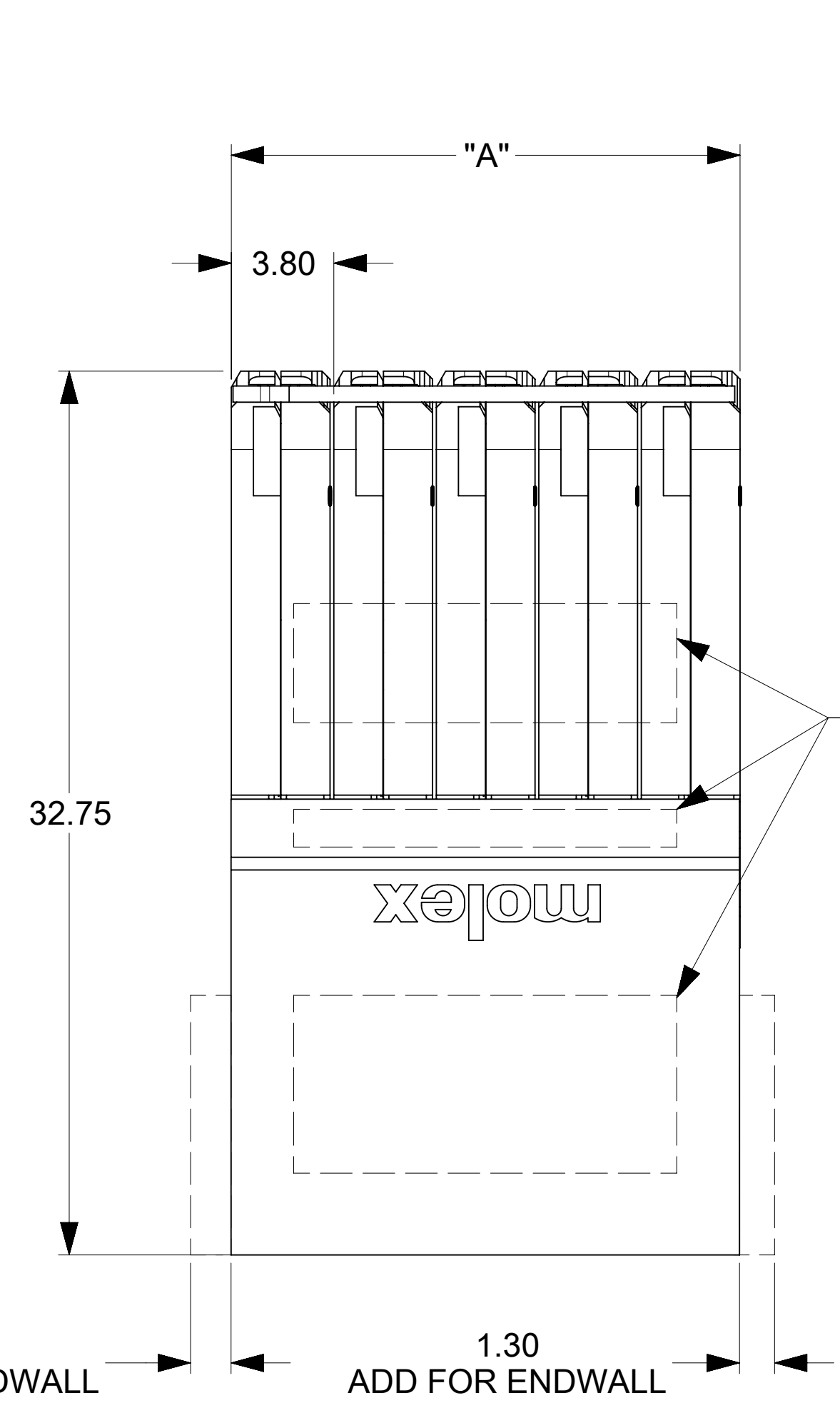


MATERIAL NUMBER	# OF COLUMNS	# OF DIFF PAIR	DIM "A" MAX	DIM "B"	PTH ϕ
76500-*8**	8	32	15.20	13.30	0.46 \pm 0.05
76500-*1**	10	40	19.00	17.10	0.46 \pm 0.05
76500-*6**	16	64	30.40	28.50	0.46 \pm 0.05
76500-*8**	8	32	15.20	13.30	0.39 \pm 0.05
76500-*1**	10	40	19.00	17.10	0.39 \pm 0.05
76500-*6**	16	64	30.40	28.50	0.39 \pm 0.05

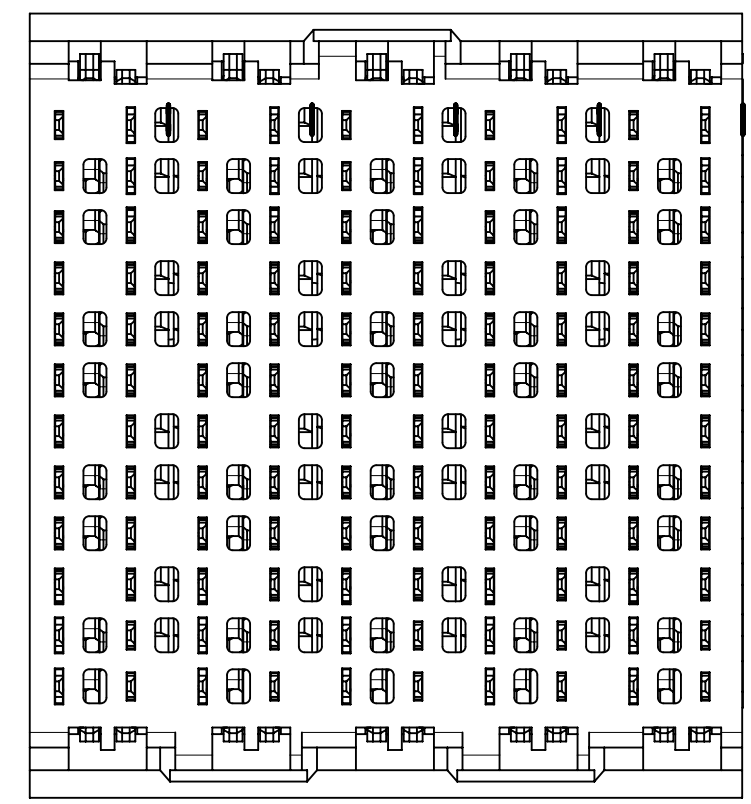
76500-****

- MODULE TYPE**
1 = UNGUIDED, LEAD-FREE
- # OF COLUMNS**
1 = 10 COLUMNS
6 = 16 COLUMNS
8 = 8 COLUMNS
- PIN LENGTH (P)**
4 = 4.90 (0.46 PTH)
5 = 5.50 (0.46 PTH)
7 = 4.90 (0.39 PTH)
8 = 5.50 (0.39 PTH)
- END WALL OPTIONS**
0 = OPEN ENDS
1 = LEFT ENDWALL
2 = DUAL ENDWALL
3 = RIGHT ENDWALL

- NOTES:**
- MATERIALS: HOUSING - LIQUID CRYSTAL POLYMER (LCP), GLASS-FILLED, UL94V-0
TERMINALS - HIGH PERFORMANCE COPPER ALLOY
 - FINISH: 30 μ IN SELECTIVE GOLD IN CONTACT AREA, SELECTIVE TIN ON PCB TAILS, NICKEL OVERALL.
 - REFER TO MOLEX PRODUCT SPECIFICATION PS-76060-999 FOR PERFORMANCE SPECIFICATIONS AND ADDITIONAL PCB INFORMATION.
 - EACH SIGNAL WAFER CONTAINS 2 COLUMNS OF TERMINALS.
 - PRODUCT IS PACKAGED PER PK-70873-041.
 - THIS PART CONFORMS TO CLASS B REQUIREMENTS OF COSMETIC SPEC PS-45499-002.
 - REFER TO MOLEX SALES DRAWING SD-76160-001 FOR THE MATING RECEPTACLES.
 - REFER TO MOLEX PCB ROUTING GUIDE AS-76060-990 FOR ANTIPAD AND ROUTING RECOMMENDATIONS.
 - MARKING: LOCATED APPROXIMATELY AS SHOWN. PART NUMBER AND DATE CODE.

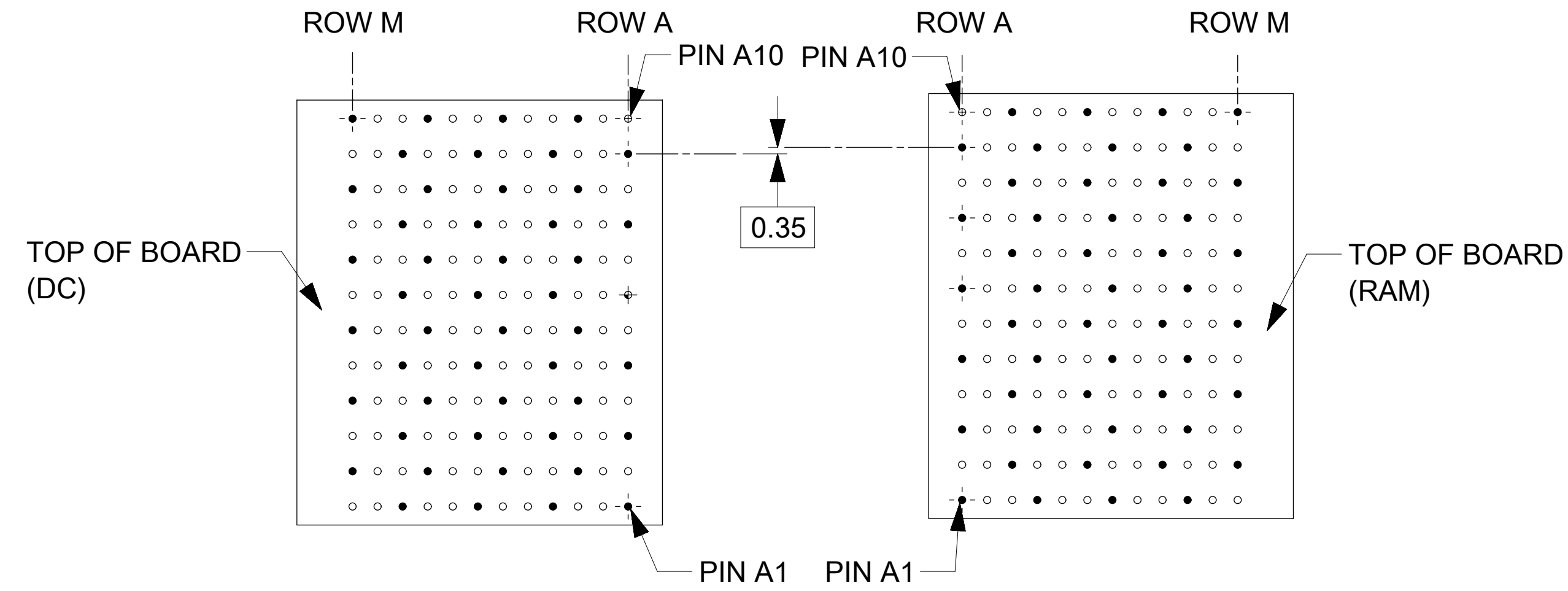
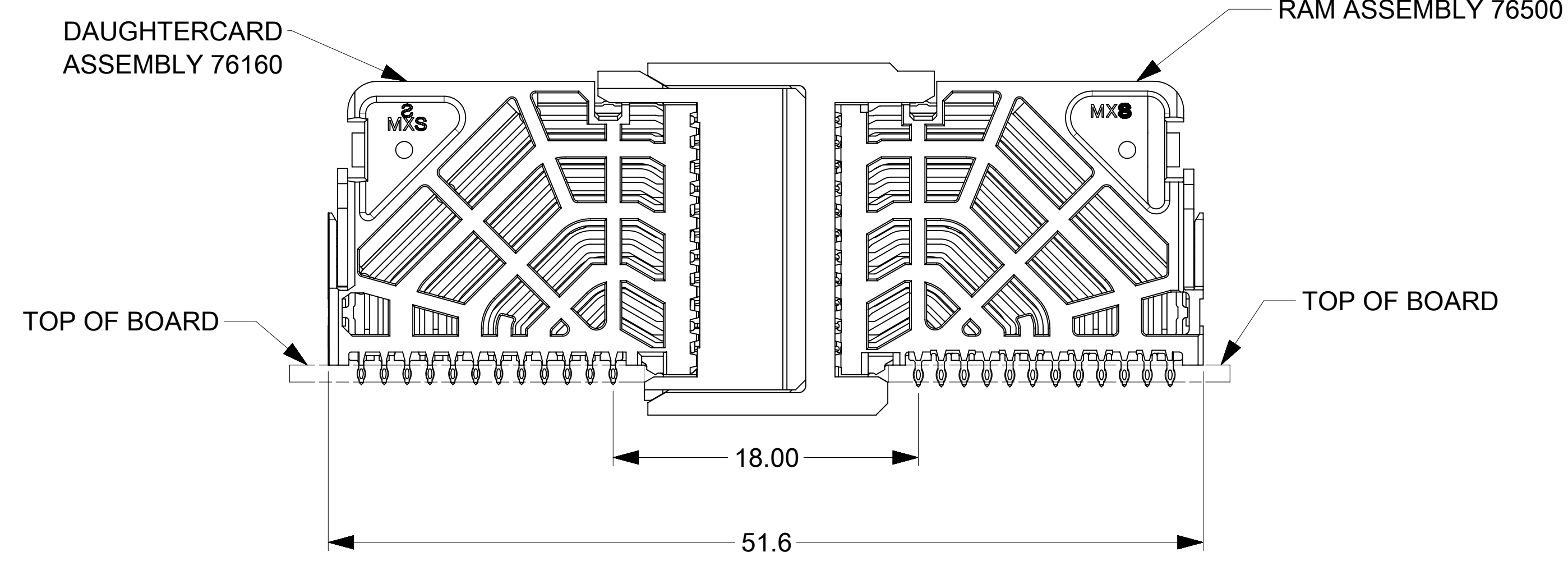


RAM HOLE PATTERN (CONNECTOR SIDE)

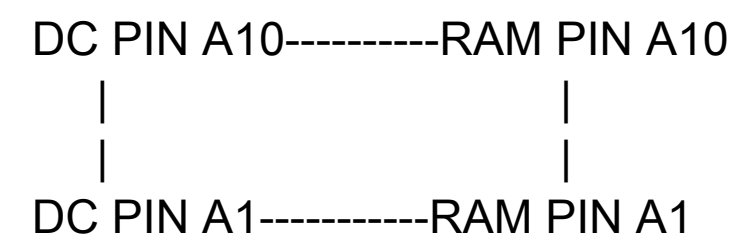


THIS DRAWING CONTAINS INFORMATION THAT IS PROPRIETARY TO MOLEX ELECTRONIC TECHNOLOGIES, LLC AND SHOULD NOT BE USED WITHOUT WRITTEN PERMISSION											
DIMENSION UNITS: mm		SCALE: NTS		CURRENT REV DESC: REMASTERED TO NX							
GENERAL TOLERANCES (UNLESS SPECIFIED)				EC NO: 705090							
ANGULAR TOL \pm 0.5°				4 PLACES \pm		DRWN: DYARAS		2021/12/07		IMPACT 4 PAIR RAM UNGUIDED SIGNAL MODULE SALES DRAWING	
3 PLACES \pm				3 PLACES \pm		CHK'D: YOGEEB		2022/02/09			
2 PLACES \pm 0.13				2 PLACES \pm 0.13		APPR: LZENG		2022/05/13		PRODUCT CUSTOMER DRAWING	
1 PLACE \pm 0.25				1 PLACE \pm 0.25		INITIAL REVISION:		DOCUMENT NUMBER		DOC TYPE	
0 PLACES \pm				0 PLACES \pm		DRWN: JQUILES		2009/01/12		SD-76500-001	
DRAFT WHERE APPLICABLE MUST REMAIN WITHIN DIMENSIONS				THIRD ANGLE PROJECTION		APPR: JLAURX		2009/01/13		DOC PART	
DRAWING: D-SIZE		SERIES: 76500		MATERIAL NUMBER: SEE TABLE		CUSTOMER: GENERAL MARKET		REVISION: 001		D4	
SHEET NUMBER: 1 OF 2											

COPLANAR APPLICATION



COPLANAR MATED SIGNAL PATHS



THIS DRAWING CONTAINS INFORMATION THAT IS PROPRIETARY TO MOLEX ELECTRONIC TECHNOLOGIES, LLC AND SHOULD NOT BE USED WITHOUT WRITTEN PERMISSION									
DIMENSION UNITS	SCALE	CURRENT REV DESC: REMASTERED TO NX							
mm	NTS								
GENERAL TOLERANCES (UNLESS SPECIFIED)									
ANGULAR TOL	± 0.5°	EC NO: 705090 DRWN: DYARAS 2021/12/07 CHK'D: YOGEEB 2022/02/09 APPR: LZENG 2022/05/13							
4 PLACES	±	INITIAL REVISION: DRWN: JQUILES 2009/01/12 APPR: JLAURX 2009/01/13							
3 PLACES	±								
2 PLACES	± 0.13	DOCUMENT NUMBER: SD-76500-001 DOC TYPE: PSD DOC PART: 001 REVISION: D4							
1 PLACE	± 0.25								
0 PLACES	±	DRAFT WHERE APPLICABLE MUST REMAIN WITHIN DIMENSIONS							
THIRD ANGLE PROJECTION									
SHEET NUMBER: 2 OF 2									