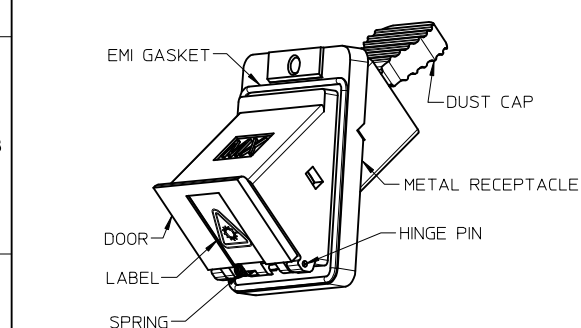
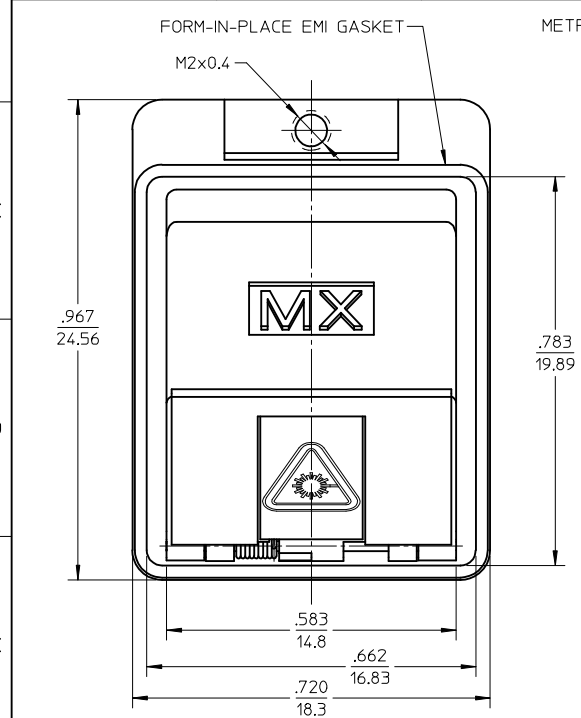
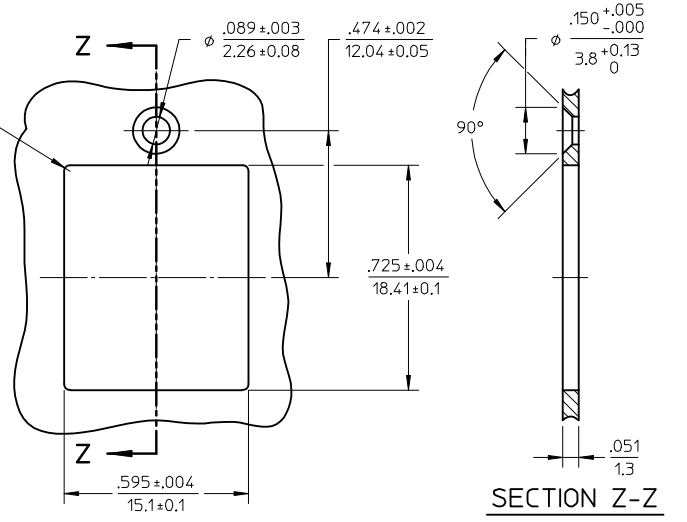
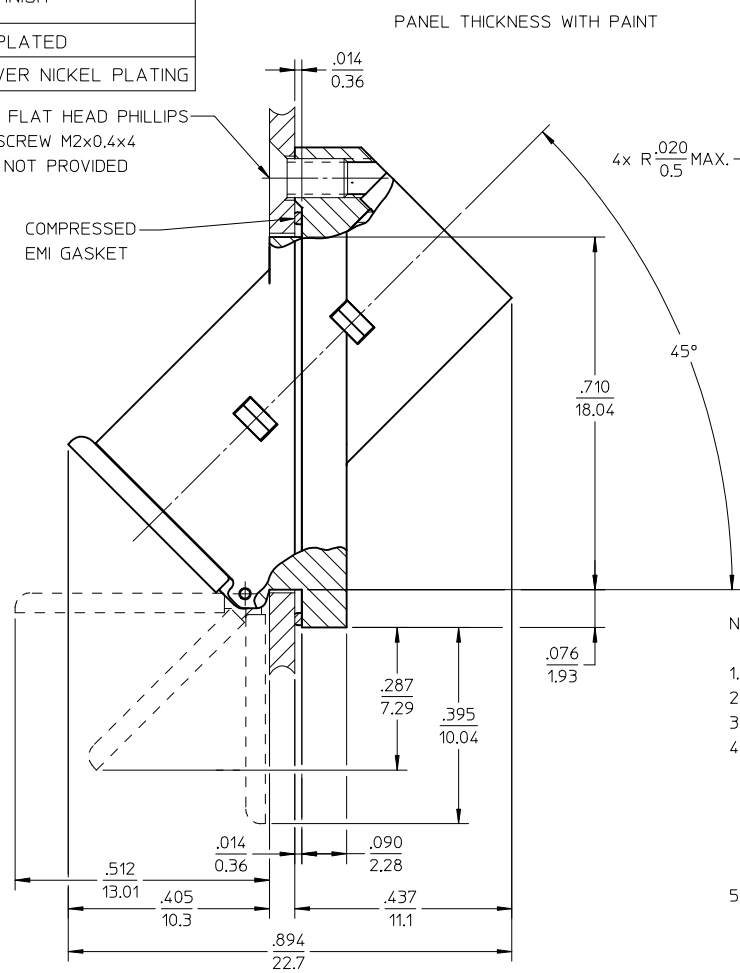


10 9 8 7 6 5 4 3 2 1

PART NUMBER	ADAPTER FINISH	DOOR FINISH
1061140100	NICKEL PLATED	NICKEL PLATED
1061140011	NICKEL PLATED	BLUE COATING OVER NICKEL PLATING



ISO VIEW
SCALE 2:1
TWO PLASTIC INSERTS NOT SHOWN



- NOTES:
1. ALL DIMENSIONS ARE IN INCH/MM.
 2. ALL DIMENSIONS ARE FOR REFERENCE.
 3. DUST CAP SHOWN IN ISOMETRIC VIEW ONLY.
 4. MATERIAL AND PLATING:
 - A. METAL RECEPTACLE AND DOOR MATERIAL - ZINC DIE CAST. (SEE TABLE FOR PLATING)
 - B. TWO PLASTIC INSERTS (NOT SHOWN) - POLYETHER IMIDE (PEI), UL94 V-0.
 - C. EMI GASKET - SILICONE CONDUCTIVE ELASTOMER SNN 45.
 - D. LABEL - POLYESTER (UL 969).
 5. PACKAGING: FOR SHIPMENT OF THIS PRODUCT USE TRAY P/N 86934-1006 (NOT SHOWN). PACKING TRAY AND SHIPPING CONTAINER ARE LABELED WITH MX P/N AND REVISION.

ENTER DESCRIPTION EC NO: MF2015-0702 DRWN: IGUMIN 2015/05/13 CHKD: IGUMIN APPR: IGUMIN 2015/06/05 DESCRIPTION REV	QUALITY SYMBOLS	GENERAL TOLERANCES (UNLESS SPECIFIED)	DIMENSION STYLE	SCALE	DESIGN UNITS	THIRD ANGLE PROJECTION
	▽=0	mm INCH	IN/MM	4:1	INCH	
	▽=0	4 PLACES ± --- ± --- 3 PLACES ± --- ± --- 2 PLACES ± --- ± --- 1 PLACE ± --- ± ---	DRAWN BY DATE YB 8.05.05	CHECKED BY DATE SM 2005/08/05	TITLE MPO EMI REAR MOUNT 45 DEGREE ADAPTER	
		ANGULAR ± --- °	APPROVED BY DATE IM 2005/08/05	MATERIAL NO. SEE TABLE		DOCUMENT NO. SD-106114-0100
DRAFT WHERE APPLICABLE MUST REMAIN WITHIN DIMENSIONS			THIS DRAWING CONTAINS INFORMATION THAT IS PROPRIETARY TO MOLEX INCORPORATED AND SHOULD NOT BE USED WITHOUT WRITTEN PERMISSION			

9 8 7 6 5 4 3 2 1