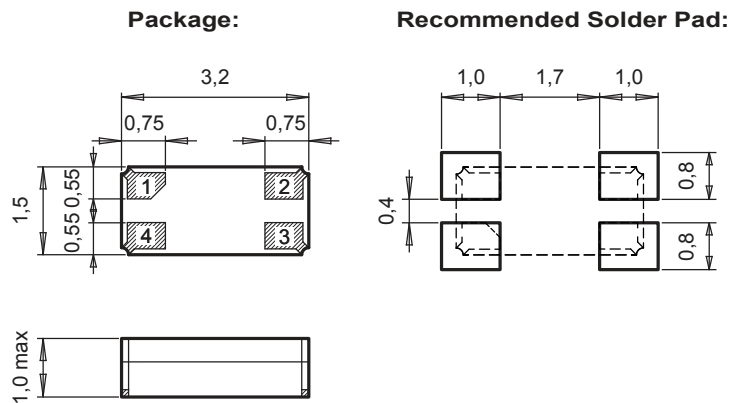


# OV-0100-C7

## Low Power Clock Oscillator 100.000 kHz



### DIMENSIONS



All dimensions in mm typical

### APPLICATIONS

IoT  
 Metering  
 Industrial  
 Automotive  
 Health Care  
 Wearables, Portables

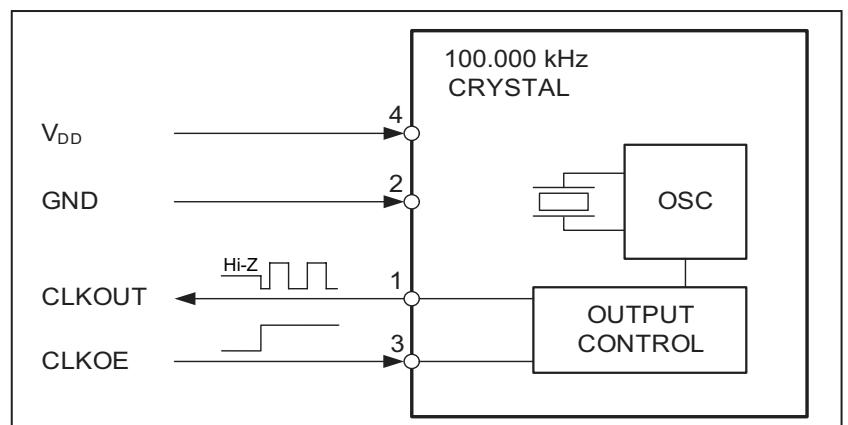
### DESCRIPTION

The OV-0100-C7 is a Low Frequency SMD Oscillator that incorporates an integrated CMOS circuit together with an XTAL. It operates under vacuum in a hermetically sealed ceramic package with ceramic lid.

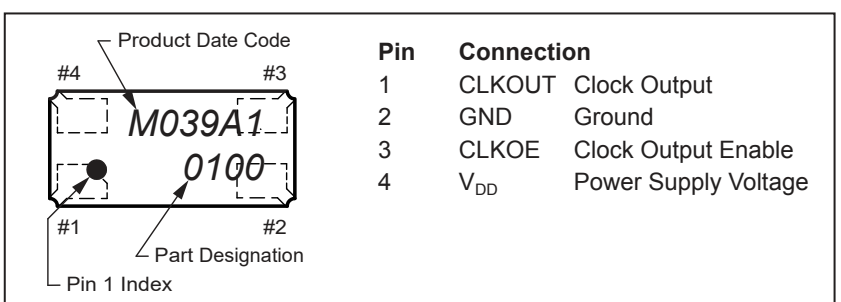
### FEATURES

Wide supply voltage range.  
 Very low power consumption.  
 CLKOUT enable/disable.  
 Small size, low profile, lightweight (12.4 mg).  
 High shock and vibration resistant.  
 100% Pb-free, RoHS-compliant.  
 Automotive qualification according to AEC-Q200 available.

### BLOCK DIAGRAM



### PIN CONNECTIONS TOP VIEW



## ELECTRICAL CHARACTERISTICS AT 25°C

More detailed information can be found in the Application Manual.

Output Frequency	F	100.000	kHz
Frequency tolerance	1) $\Delta F/F$	$\pm 20$	ppm
Supply voltage	$V_{DD}$	1.2 – 5.5	V
Current consumption (typ./max.)	2) $I_{DD}$	0.65 / 0.85	$\mu A$
Duty cycle (min./max.)		40 / 60	%
Start up time (max.)	$t_{start}$	0.5	s
Voltage coefficient (max.)		$\pm 1.5$	ppm/V
Aging first year max. @ 25°C	$\Delta F/F$	$\pm 3$	ppm
Turnover temperature (typ.)	$T_0$	18 $\pm$ 5	°C
Frequency vs. temperature	$\Delta F/F_0$	$-0.035 \text{ ppm}/^\circ\text{C}^2 (T - T_0)^2 \pm 10\%$	ppm

1) Tighter tolerances on request.

2)  $V_{DD} = 3.0 \text{ V}$ , CLKOE = LOW.

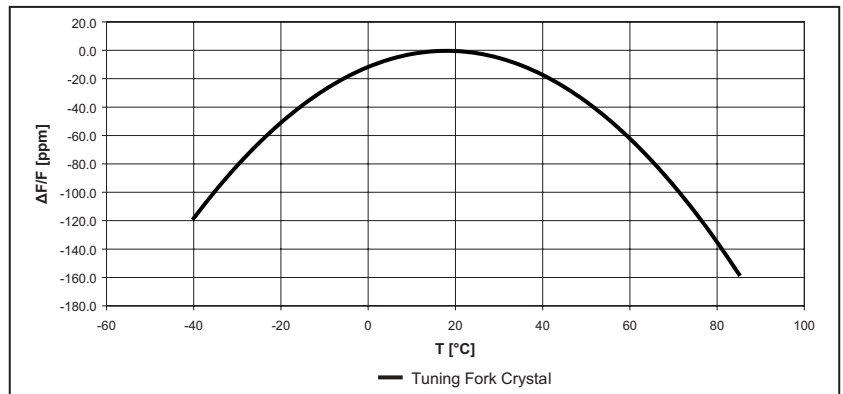
## ENVIRONMENTAL CHARACTERISTICS

		Conditions	Max. Dev.
Storage temperature range		-55 to +125°C	
TA Operating temperature range		-40 to +85°C	
Shock resistance	$\Delta F/F$	5000 g, 0.3 ms, 1/2 sine	$\pm 5$ ppm
Vibration resistance	$\Delta F/F$	20 g / 10–2000 Hz	$\pm 5$ ppm

## TERMINATIONS AND PROCESSING

Type	Termination	Processing
OV-0100-C7	Au flashed pads	IPC/JEDEC J-STD-020C 260°C / 20 - 40 s

## FREQUENCY TEMPERATURE CHARACTERISTICS



## ORDERING INFORMATION

**O V - 0100 - C7 ±20 ppm TA QC**

<b>Oscillator</b>		<b>Qualification</b>
<b>Ceramic lid</b>		<b>QC</b> = Commercial Grade (Standard)
<b>Frequency</b>		<b>QA</b> = Automotive Grade AEC-Q200
<b>0100</b> = 100.000 kHz		<b>QM</b> = Medical Grade
<b>Package size</b>		<b>Temperature range</b>
<b>C7</b> = 3.2 x 1.5 x 1.0 mm		<b>TA</b> = -40 to +85°C (Standard)
		<b>Frequency tolerance</b>

A unique part number will be generated for each product specification, i.e:

20xxxx-MG01	1'000 pcs (in 12 mm tape on 7" reel)
20xxxx-MG03	3'000 pcs (in 12 mm tape on 7" reel)

All specifications subject to change without notice.



A COMPANY OF THE SWATCH GROUP

Micro Crystal AG  
Muehlestrasse 14  
CH-2540 Grenchen  
Switzerland

Phone +41 32 655 82 82  
sales@microcrystal.com  
www.microcrystal.com