

### CFP4-100GB-ER4-40-F1-C

Fujitsu® Compatible TAA 100GBase-ER4 CFP4 Transceiver (SMF, 1310nm, 40km, LC, DOM)

#### Features:

- CFP MSA 1.1 Compliance
- Duplex LC Connector
- Single-mode Fiber
- Commercial Temperature 0 to 70 Celsius
- Hot Pluggable
- Metal with Lower EMI
- Excellent ESD Protection
- RoHS Compliant and Lead Free



#### Applications:

- 100GBase Ethernet
- Access and Enterprise

#### Product Description

This Fujitsu® CFP4 transceiver provides 100GBase-ER4 throughput up to 40km over single-mode fiber (SMF) using a wavelength of 1310nm via an LC connector. It is guaranteed to be 100% compatible with the equivalent Fujitsu® transceiver. This easy to install, hot swappable transceiver has been programmed, uniquely serialized and data-traffic and application tested to ensure that it will initialize and perform identically. Digital optical monitoring (DOM) support is also present to allow access to real-time operating parameters. This transceiver is Trade Agreements Act (TAA) compliant. We stand behind the quality of our products and proudly offer a limited lifetime warranty.

ProLabs' transceivers are RoHS compliant and lead-free.

TAA refers to the Trade Agreements Act (19 U.S.C. & 2501-2581), which is intended to foster fair and open international trade. TAA requires that the U.S. Government may acquire only "U.S. – made or designated country end products."



### Absolute Maximum Ratings

Parameter	Symbol	Min.	Max.	Unit
Storage Temperature	T <sub>s</sub>	-40	+85	°C
Supply Voltage	V <sub>cc</sub>	-0.5	3.6	V
Operating Relative Humidity	RH	5	95	%

**Note:**

1. Exceeding any one of these values may destroy the device immediately.

### Recommended Operating Conditions

Parameter	Symbol	Min.	Typ.	Max.	Unit
Operating Case Temperature	T <sub>C</sub>	0		70	°C
Power Supply Voltage	V <sub>cc</sub>	3.2	3.3	3.4	V
Power Supply Noise	DC-1MHz		2		%
	1-10MHz		3		
Power Consumption	P	MAX		6	W
		Low Power Mode		1	
Time of Power-On sequence & Reset Sequence			TBD		sec
Modulation Format			NRZ, Mark Ratio 50%		

## Electrical Characteristics

Parameter	Symbol	Min.	Typ.	Max.	Unit	Notes
<b>Transmitter</b>						
Input Amplitude (Differential)	V <sub>in</sub>	150		1000	mVpp	AC coupled inputs, 1
Input Impedance (Differential)	Z <sub>in</sub>	85	100	115	ohms	R <sub>in</sub> > 100 kohms @ DC
<b>Receiver</b>						
Output Amplitude (Differential)	V <sub>out</sub>	360		900	mVpp	AC coupled Outputs, 1
Output Impedance (Differential)	Z <sub>out</sub>	85	100	115	ohms	

### Notes:

1. High speed I/O, internally AC coupled.

## 1.2V MDIO Interface Specifications

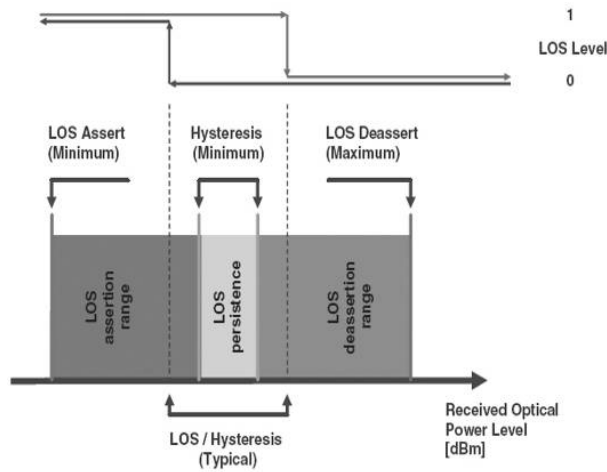
Parameter	Symbol	Min.	Typ.	Max.	Unit	Notes
Input Voltage	V <sub>IH</sub>	0.84		1.5	V	
	V <sub>IL</sub>	-0.3		0.36	V	
Input Leak current	I <sub>IN</sub>	-100		100	uA	
Output Voltage	V <sub>OH</sub>	1.0		1.5	V	
	V <sub>OL</sub>	-0.3		0.2	V	
Input Capacitance	C <sub>I</sub>			10	pF	
Input MDC Clock	f <sub>MDC</sub>	0.1		4	MHz	
MDC Clock Period	T <sub>MDC</sub>	250		10000	ns	
MDIO Hold Time	T <sub>hold</sub>	10			ns	
MDIO Setup Time	T <sub>Setup</sub>	10			ns	
Clock to output delay from the MMD	T <sub>dely</sub>	0		300	ns	
GLB_ALM	T <sub>glb_alm_ass</sub>			150	ms	
	T <sub>glb_alm_dea</sub>			150	ms	
MDC High time	T <sub>high</sub>			160	ns	
MDC Low time	T <sub>low</sub>			160	ns	

## Optical Characteristics

Parameter	Symbol	Min.	Typ.	Max.	Unit	Notes
<b>Transmitter</b>						
Signaling Speed per Lane	BR <sub>AVE</sub>		25.78		Gbps	
Signaling Speed per Lane OTU4	BR <sub>AVE</sub>		27.95		Gbps	
Data Rate Variation		-100		+100	ppm	
Lane_0 Center Wavelength	λC0	1294.53	1295.56	1296.59	nm	
Lane_1 Center Wavelength	λC1	1299.02	1300.05	1301.09	nm	
Lane_2 Center Wavelength	λC2	1303.54	1304.58	1305.63	nm	
Lane_3 Center Wavelength	λC3	1308.09	1309.14	1310.19	nm	
Total Average Output Power	Po			12.5	dBm	1
Average Launch Power per Lane	Peach	-2.5		6.5	dBm	
Optical Modulation Amplitude per Lane		0.5		6.5	dBm	
Average launch power of OFF transmitter per lane				-30	dBm	
Optical Return Loss Tolerance				20	dB	
Extinction Ratio	ER	4.5			dB	4
Transmitter eye mask definition {X1, X2, X3, Y1, Y2, Y3}		{0.25, 0.4, 0.45, 0.25, 0.28, 0.4}				4
TX Disable Assert Time	t <sub>off</sub>			100	us	
<b>Receiver</b>						
Signaling Speed per Lane	BR <sub>AVE</sub>		25.78		Gbps	
Signaling Speed per Lane OTU4	BR <sub>AVE</sub>		27.95		Gbps	
Data Rate Variation		-100		+100	ppm	
Damage threshold	Rdam	-2.5			dBm	
Lane_0 Center Wavelength	λC0	1294.53	1295.56	1296.59	nm	
Lane_1 Center Wavelength	λC1	1299.02	1300.05	1301.09	nm	
Lane_2 Center Wavelength	λC2	1303.54	1304.58	1305.63	nm	
Lane_3 Center Wavelength	λC3	1308.09	1309.14	1310.19	nm	
Average Receive Power	Rpow	-20.5		TBD	dBm	
Receive Sensitivity in OMA per Lane	Pmin			-18.5	dBm	5
LOS Assert	LOSA	-30			dBm	
LOS De-Assert	LOSD			-20	dBm	
LOS Hysteresis		0.5			dB	3

**Notes:**

1. Output is coupled into a 9/125µm single-mode fiber.
2. High speed I/O, internally AC coupled.
3. LOS Hysteresis
4. Filtered, measured with a PRBS 231-1 test pattern @25.78Gbps
5. Receiver sensitivity (OMA), each lane (max) is informative, BER = 5×10<sup>-5</sup>



**MDIO Registers for MCLK**

MDIO Hex Addr	Access Type	Bit	Register Name	Value and Description	Notes
A011h	R/W	7:5	TX MCLK Control	000b: Disabled (Initial Value) 010b: 1/8 of network lane	
A012h	R/W	7:5	RX MCLK Control	000b: Disabled (Initial Value) 010b: 1/8 of network lane	
A015h	R/W	13:1 2	MCLK Selection	Selects the source of the MCLK for CFP4 modules. 00b: MCLK Off (Initial Value). 01b: MCLK = TX_MCLK 10b: Reserved. 11b: Reserved.	

### MDIO Registers for Host Lane Control Controls Selection

MDIO Hex Addr	Access Type	Bit	Register Name	Value and Description	Notes
A440~A443h	R/W	15	Signal equalization mode control	0: Automatic (Initial Value) 1: Manual	
	R/W	12~9	Signal Equalization Gain	00h: No EQ (Initial Value). Write 9~0 to set 9~0 Db of gain in manual mode.	
	R/W	3~0	Rx Signal Pre/De-emphasis	0000b: 0dB (Initial Value). 4-bit unsigned number N represents the pre/de-emphasis applied. Pre/De-emphasis = 0.5 dB * N, N = 0, 15.	

### MDIO Registers for Host Lane RX Squelch Mode Selection

MDIO Hex Addr	Access Type	Bit	Register Name	Value and Description	Notes
A014h	R/W	9	Automatic Host Lane Output Squelch on LOS	0: Host Lane shall not squelch Rx RF output on RX_LOS. Host controls squelch using A040h (Initial Value). 1: Host Lane shall squelch Rx RF output on RX_LOS (sync with A210h~A21Fh.4) per lane based.	
A040h	R/W	15~0	Host Lane Output Squelch Control	Bits 15~0 squelches host lane 15~0 Rx RF output respectively. 0: No squelch (Initial Value). 1: Squelch.	

### MDIO Registers for Network Lane Squelch & Disable Selection

MDIO Hex Addr	Access Type	Bit	Register Name	Value and Description	Notes
A011h	R/W	15	Automatic Network Lane TX Squelch Mode	0: Network Lane shall squelch TX Average power on TX_LOL (sync with A210h~A21Fh.6) per lane base (Initial Value). 1: Network Lane shall squelch TX OMA power on TX_LOL (sync with A210h~A21Fh.6) per lane base.	
	R/W	4	Automatic Network Lane TX Squelch Control	0: Network lane automatic control on TX_LOL is off. Host controls each lane TX squelch using A041h (Initial Value). 1: Network lane automatic control on TX_LOL is on per lane base.	
A013h	R/W	15~0	Lane 15~0 Disable	Bits 15~0 disable network lane 15~0 Tx Average power output respectively. 0: Normal (Initial Value). 1: Disable.	
A041h	R/W	15~0	Network Lane n TX Squelch	Bits 15~0 squelches network lane 15~0 Tx OMA power output respectively. 0: No squelch (Initial Value). 1: Squelch.	

### MDIO Registers for TX/Rx Reset

MDIO Hex Addr	Access Type	Bit	Register Name	Value and Description	Notes
A011h	R/W	8	TX Reset	0: Normal operation (Initial Value), 1: Reset.	1
A012h	R/W	8	RX Reset	0: Normal operation (Initial Value), 1: Reset.	1

#### Notes:

1. Set these registers to 1 will keep the correspond CDR in reset state. While these bits are cleared, the correspond CDR will be re-initialized.

### MDIO Registers for PRG\_CNTL1/Tx\_DIS

MDIO Hex Addr	Access Type	Bit	Register Name	Value and Description	Notes
A007h	R/W	7~0	Function Select Code	0: Assert/De-Assert of PRG_CNTL1 has no effect. 0x01: Assign TRXIC_RSTn function to hardware pins PRG_CNTL1. When so assigned this pin uses the active low logic, that is, 0 =Assert (Reset). 2~9: MSA reserved. 0x0A: TX_DIS (Initial Value).	1

#### Notes:

1. CFP4 module multiplexes PRG\_CNTL1 with TX\_DIS functions. Host shall use this register to assign TX\_DIS function to PRG\_CNTL1, if and only if module is in Low\_Power State. When A007h is set to 0x01 in low power state, then the TRXIC\_RSTn function is enabled and the hardware TX\_DIS is assigned to be de-asserted.

### MDIO Registers for PRG\_ALRM1

MDIO Hex Addr	Access Type	Bit	Register Name	Value and Description	Notes
A00Ah	R/W	7~0	Alarm Source Code	0: Not active, always de-asserted, 1: HIPWR_ON, MSA default setting, 2: Ready State, 3: Fault State, 4: RX_ALRM = RX_LOS + RX_NETWORK_LOL, 5: TX_ALRM = TX_LOSF + TX_HOST_LOL + TX_CMU_LOL, 6: RX_NETWORK_LOL, 7: TX_LOSF, 8: TX_HOST_LOL, 9: OOA, 10: RX_LOS (Initial Value). 11~255: Reserved.	

### MDIO Registers for RX Power Monitor Alarm/Warning Threshold

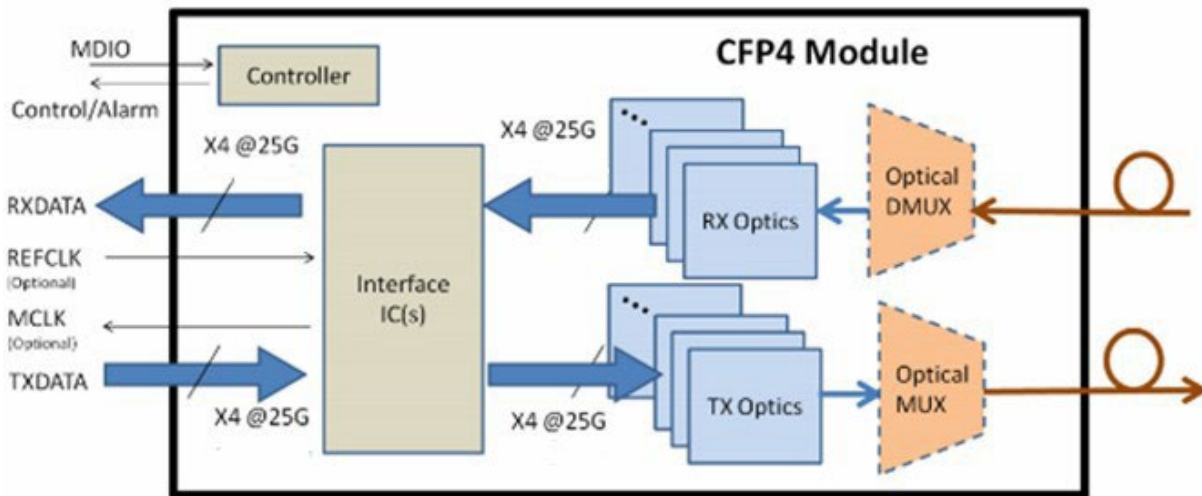
MDIO Hex Addr	Access Type	Bit	Register Name	Value and Description	Notes
A015h	R/W	9	RX Power Monitor Alarm/Warning Threshold Select	0: MSA default registers 80C0h~80C7h (Initial Value), 1: Host Configured Receive Optical Power Threshold registers A03Ch~A03Fh.	1
A03Ch	R/W	15~0	Host Configured Receive Optical Power High Alarm Threshold	Valid if the value is between “Host Configured Receive Optical Power High Alarm Permissible Minimum Threshold” (80E8h) and “Host Configured Receive Optical Power High Alarm Permissible Maximum Threshold” (80F0h). Value beyond the threshold shall generate no effect.	
A03Dh	R/W	15~0	Host Configured Receive Optical Power High Warning Threshold	Valid if the value is between “Host Configured Optical Power High Warning Permissible Minimum Threshold” (0x80EA) and “Host Configured Optical Power High Warning Permissible Maximum Threshold” (80F2h). Value beyond the threshold shall generate no effect.	
A03Eh	R/W	15~0	Host Configured Receive Optical Power Low Warning Threshold	Valid if the value is between “Host Configured Optical Power Low Warning Permissible Minimum Threshold” (80Ech) and “Host Configured Optical Power Low Warning Permissible Maximum Threshold” (80F4h). Value beyond the threshold shall generate no effect.	
A03Fh	R/W	15~0	Host Configured Receive Optical Power Low Alarm Threshold	Valid if the value is between “Host Configured Receive Optical Power Low Alarm Permissible Minimum Threshold” (80Eeh) and “Host Configured Receive Optical Power Low Alarm Permissible Maximum Threshold” (80F6h). Value beyond the threshold shall generate no effect.	

#### Notes:

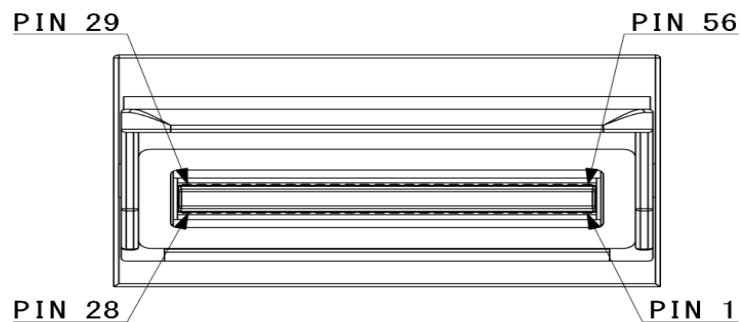
1. Set these registers to 1 will keep the correspond CDR in reset state. While these bits are cleared, the correspond CDR will be re-initialized.



## Functional Description of Transceiver



## CFP4 Transceiver Electrical Pad Layout



## Pin Descriptions

### Part A: Bottom Row Pin Function Definition

Pin	Name	Function	Description
1	3.3V_GND	Ground	3.3V Module Supply Ground, Internally connected to Signal Ground
2	3.3V_GND	Ground	
3	3.3V	3.3V Module Supply Voltage	3.3V ± 5%
4	3.3V	3.3V Module Supply Voltage	3.3V ± 5%
5	3.3V	3.3V Module Supply Voltage	3.3V ± 5%
6	3.3V	3.3V Module Supply Voltage	3.3V ± 5%
7	3.3V_GND	Ground	3.3V Module Supply Ground, Internally connected to Signal Ground
8	3.3V_GND	Ground	3.3V Module Supply Ground, Internally connected to Signal Ground
9	VND_IO_A	I/O	Module Vendor I/O A, NC
10	VND_IO_B	I/O	Module Vendor I/O B, NC

11	TX_DIS (PRG_CNTL1)	I	"1" or NC = transmitter disabled, "0" = transmitter enabled
12	RX_LOS (PRG_ALARM1)	O	"1" = loss of signal (low optical signal), "0" = normal condition
13	GLB_ALRMn	O	"0" = alarm condition in any MDIO Alarm register, "1" = no alarm condition,
14	MOD_LOPWR	I	"1" or NC = module in low power (safe) mode, "0" = power-on enabled
15	MOD_ABS	O	"1" or NC = module absent, "0" = module present
16	MOD_RSTn	I	"0" = resets the module, "1" or NC = module enabled
17	MDC	1.2V COMS I	Management Data Clock
18	MDIO	1.2V COMS I/O	Management Data I/O bi-directional data
19	PRTADR0	1.2V COMS I	MDIO Physical Port address bit 0
20	PRTADR1	1.2V COMS I	MDIO Physical Port address bit 1
21	PRTADR2	1.2V COMS I	MDIO Physical Port address bit 2
22	VND_IO_C	I/O	Module Vendor I/O C. NC
23	VND_IO_D	I/O	Module Vendor I/O D. NC
24	VND_IO_E	I/O	Module Vendor I/O E. NC
25	GND	Ground	Signal Ground
26	(MCLKn)	CML O	For optical waveform testing
27	(MCLKp)	CML O	For optical waveform testing
28	GND	Ground	Signal Ground

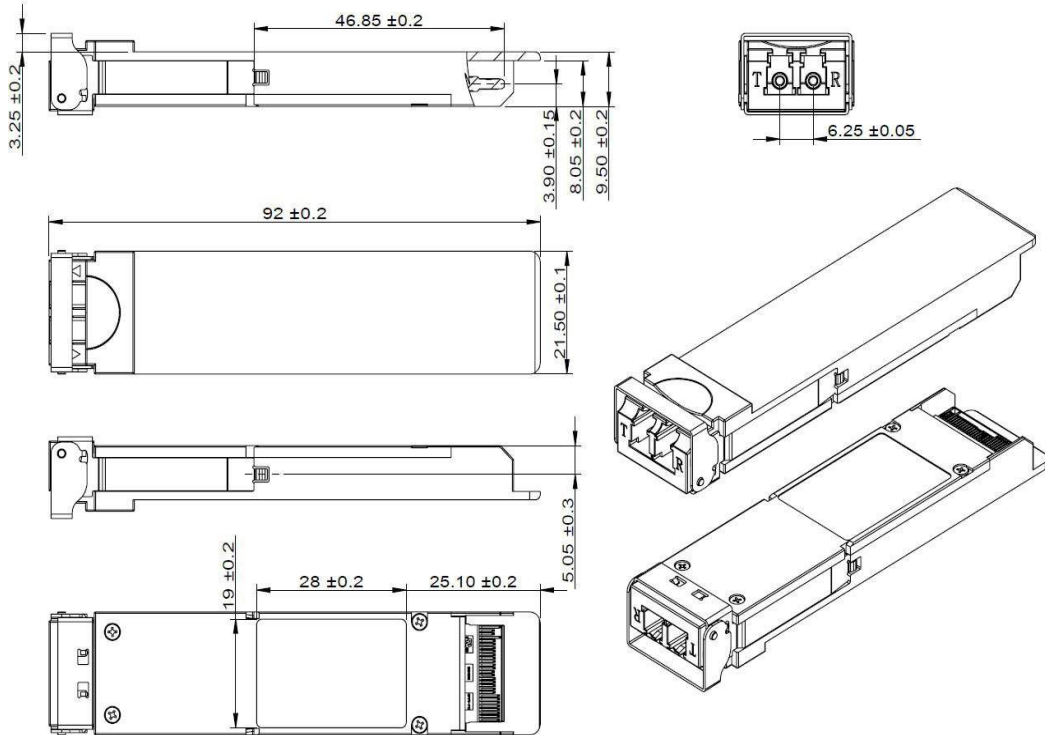
#### Part B: Top Row Pin Function Definition

Pin	Name	Function	Description
56	GND	Ground	Signal Ground
55	TX3n	Lane 3 Tx Input I	CML Input
54	TX3p	Lane 3 Tx Input I	CML Input
53	GND	Ground	Signal Ground
52	TX2n	Lane 2 Tx Input I	CML Input
51	TX2p	Lane 2 Tx Input I	CML Input
50	GND	Ground	Signal Ground
49	TX1n	Lane 1 Tx Input I	CML Input

48	TX1p	Lane 1 Tx Input I	CML Input
47	GND	Ground	Signal Ground
46	TX0n	Lane 0 Tx Input I	CML Input
45	TX0p	Lane 0 Tx Input I	CML Input
44	GND	Ground	Signal Ground
43	(REFCLKn)	Reference Clock I	Reference Clock Input
42	(REFCLKp)	Reference Clock I	Reference Clock Input
41	GND	Ground	Signal Ground
40	RX3n	Lane 3 Rx Output O	CML Output
39	RX3p	Lane 3 Rx Output O	CML Output
38	GND	Ground	Signal Ground
37	RX2n	Lane 2 Rx Output O	CML Output
36	RX2p	Lane 2 Rx Output O	CML Output
35	GND	Ground	Signal Ground
34	RX1n	Lane 1 Rx Output O	CML Output
33	RX1p	Lane 1 Rx Output O	CML Output
32	GND	Ground	Signal Ground
31	RX0n	Lane 0 Rx Output O	CML Output
30	RX0p	Lane 0 Rx Output O	CML Output
29	GND	Ground	Signal Ground

## Mechanical Specifications

Parameter	Symbol	Max.	Unit	Spec
Weight		90	g	
Flatness		0.12	mm	CFP MSA CFP4 HW spec Rev.0.1_5.3.1=0.12mm(class=4)
Roughness	Ra	1.6	μm	CFP MSA CFP4 HW spec Rev.0.1_5.3.1=0.16mm(class=4)



## About ProLabs

Our experience comes as standard; for over 15 years ProLabs has delivered optical connectivity solutions that give our customers freedom and choice through our ability to provide seamless interoperability. At the heart of our company is the ability to provide state-of-the-art optical transport and connectivity solutions that are compatible with over 90 optical switching and transport platforms.

## Complete Portfolio of Network Solutions

ProLabs is focused on innovations in optical transport and connectivity. The combination of our knowledge of optics and networking equipment enables ProLabs to be your single source for optical transport and connectivity solutions from 100Mb to 400G while providing innovative solutions that increase network efficiency. We provide the optical connectivity expertise that is compatible with and enhances your switching and transport equipment.

## Trusted Partner

Customer service is our number one value. ProLabs has invested in people, labs and manufacturing capacity to ensure that you get immediate answers to your questions and compatible product when needed. With Engineering and Manufacturing offices in the U.K. and U.S. augmented by field offices throughout the U.S., U.K. and Asia, ProLabs is able to be our customers best advocate 24 hours a day.



## Contact Information

ProLabs US

Email: [sales@prolabs.com](mailto:sales@prolabs.com)

Telephone: 952-852-0252

ProLabs UK

Email: [salessupport@prolabs.com](mailto:salessupport@prolabs.com)

Telephone: +44 1285 719 600