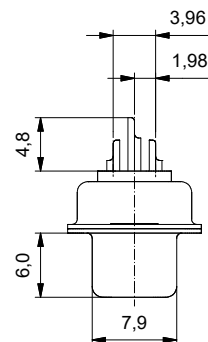
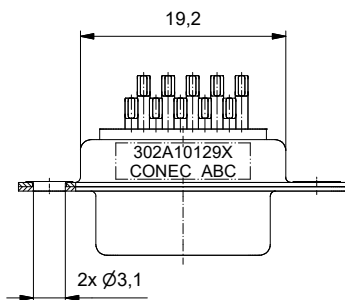
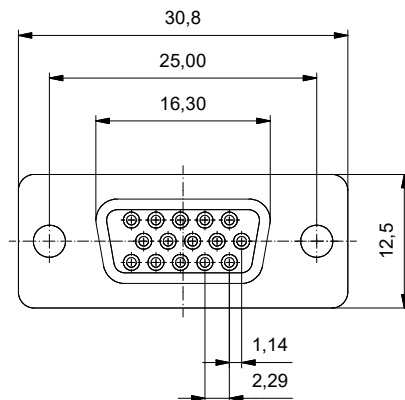


**Technical specification/  
Technische Daten:**

Working voltage/ Betriebsspannung:	60 V AC/DC
Insulation resistance/ Isolationswiderstand:	min. 3000 MOhm
Dielectric withstanding voltage/ Spannungsfestigkeit:	1000 V AC / minute
Operating temperature/ Betriebstemperatur:	- 55 °C ... + 105 °C
Current rating/ Strombelastbarkeit:	3 A
Contact Resistance/ Durchgangswiderstand:	max. 15 mOhm

**Materials/  
Werkstoffe:**

Contact/ Kontakt:	Cu alloy, Underplate/ 50 µin Nickel Beschichtung: Contact area/ Kontaktbereich: Solder tails area/ Lötbereich:	Gold flash Gold flash
Shell/ Gehäuse:	Steel, Nickel plated	
Rivet, Boardlock/ Befestigungsniet:	Copper alloy	
Insulator/ Isolierkörper:	Thermal plastic UL 94 V-0	



Part no. / Part marked/ Art.-Nr. / Bedruckung:	302A10129X
---	------------

general tolerance/ Allgemeintoleranz: 0, ±0.5 ,0 ±0.3 ,00 ±0.2	Date/Datum: 04.07.2022 Name: Bub drawn/ges.: appd./gepr.: 22.08.2022 Lehmenkühler	D-SUB HD Female 15pos. solder cup stamped contacts D-SUB HD Buchsenleiste 15pol. Lötkelech gestanzte Kontakte	
		Index: a Original	Scale/Maßstab: 2:1
RoHS compliant/ konform			

The reproduction, distribution and sale of this document as well as the communication of its contents to others without express authorization is prohibited. Offenders will be held liable for the payment of damages. We reserve the right to withdraw from circulation and/or to destroy copies of printed media and/or electronic data files at any time without notice and without obligation.