

6

5

4

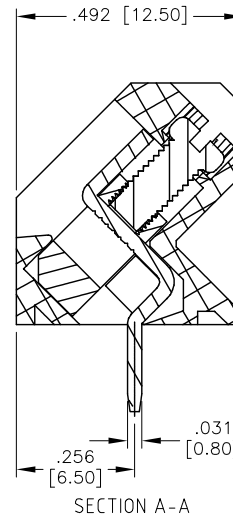
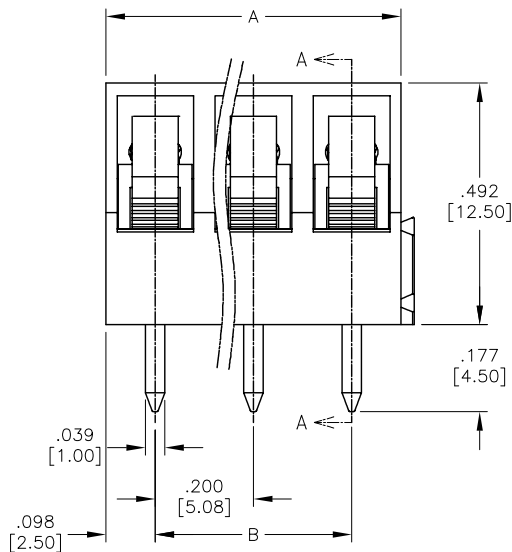
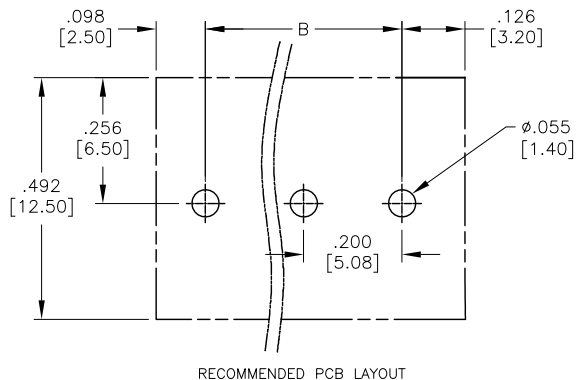
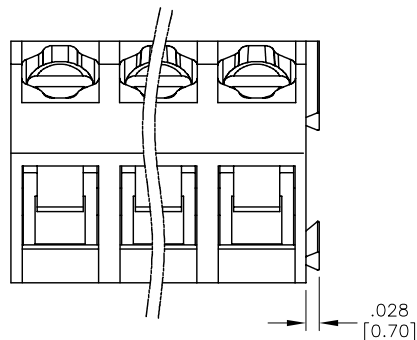
3

2

1

APPROVED: _____
 DATE: _____ TITLE: _____

Rev	AWO #	Description	Date	Appr
-		RELEASED	5/5/16	
A		UPDATE DRAWING	11/20/20	OW/RC



	Tolerance
2-6P	±.006 [0.15]
7-12P	±.008 [0.20]
13-18P	±.012 [0.30]
19-24P	±.016 [0.40]

SPECIFICATIONS:

Material:
 Insulator: Thermoplastic, rated UL 94V-0
 Insulator color: Black
 Clamp: Brass, Nickel plated
 Screw: Steel M2.5, Zinc plated
 Wire guard solder pin: Brass, Tin plated
 Electrical:
 Voltage rating: 300V
 Current rating: 15A
 Withstanding Voltage: 1.6KV
 Wire range: 0.34-4.0mm²
 Solid wire (AWG): 12-24
 Stranded wire (AWG): 12-24
 Torque: 3.5Lb-In / 0.4 N.m
 Wire strip length: 6-7mm
 Temperature Rating:
 Operating temperature: -40°C to +115°C
 Environmental:
 Lead free, RoHS compliant.



Positions: 02 thru 24
 A = .200 [5.08] x No. of Positions
 B = .200 [5.08] x No. of Spaces

UNLESS OTHERWISE SPECIFIED
 ALL DIMENSIONS ARE INCHES [MM]
 TOLERANCES: EXCEPT AS NOTED
 INCHES HOLES
 .X ± .10 Ø.X ± .10
 .XX ± .020 Ø.XX ± .015
 .XXX ± .015 Ø.XXX ± .010



909 Rahway Avenue,
 Union, NJ 07083
 Phone: 908-687-5000
 Fax: 908-687-5710

TITLE
TERMINAL BLOCK, PCB, 45 DEGREE ANGLE
.200 [5.08] PITCH

APPROVALS		DATE
DRAWN	AY	5/5/16
CHECKED	TW	5/5/16
APPROVED		

SIZE	PART NO.	REV.
X	EBG-XX-D	A
REF: S00007T	SCALE: NTS	SHEET 1 OF 1

6

5

4

3

2

1