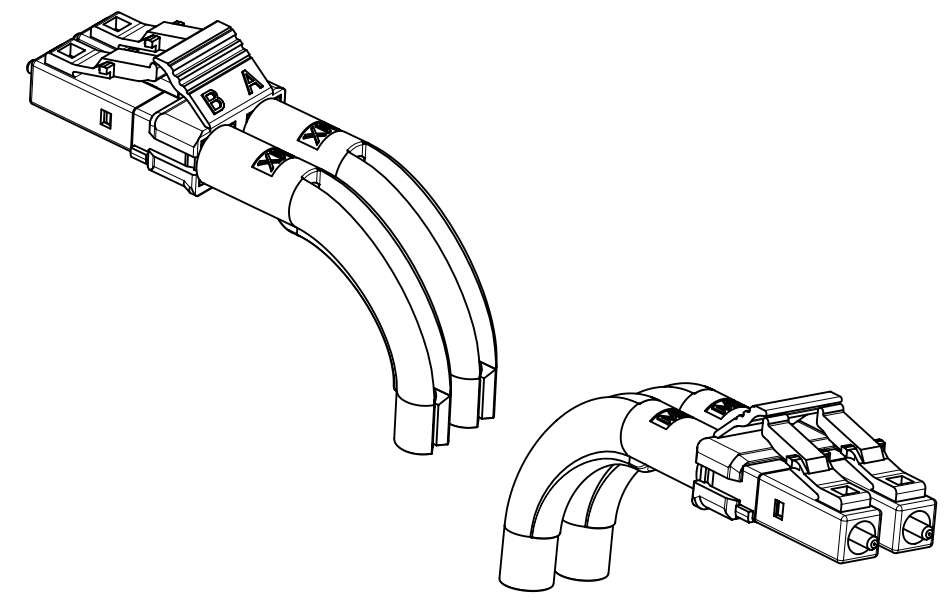
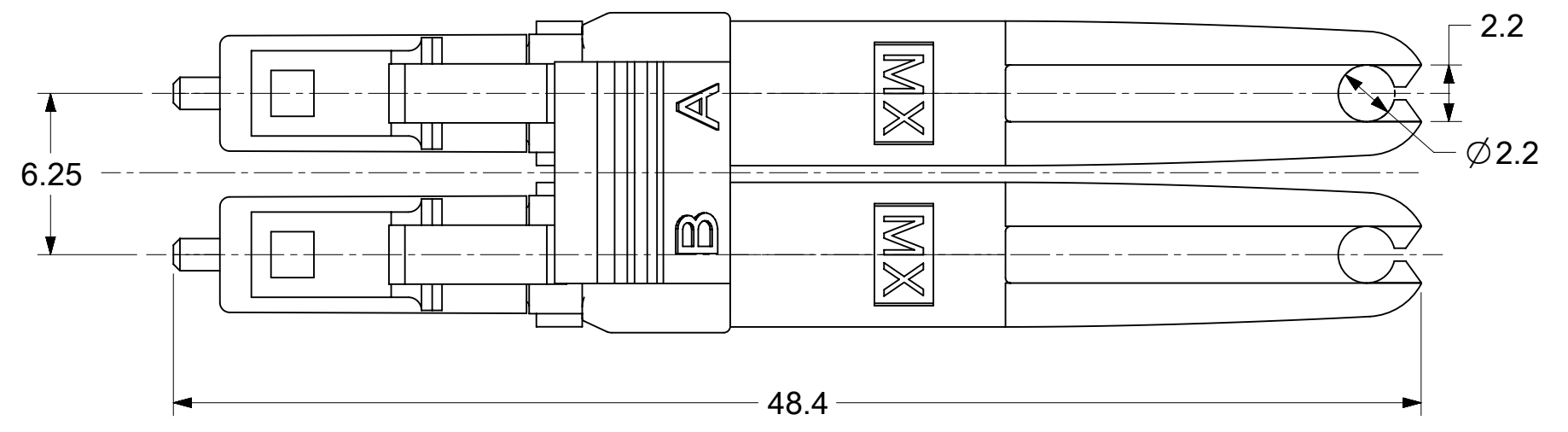
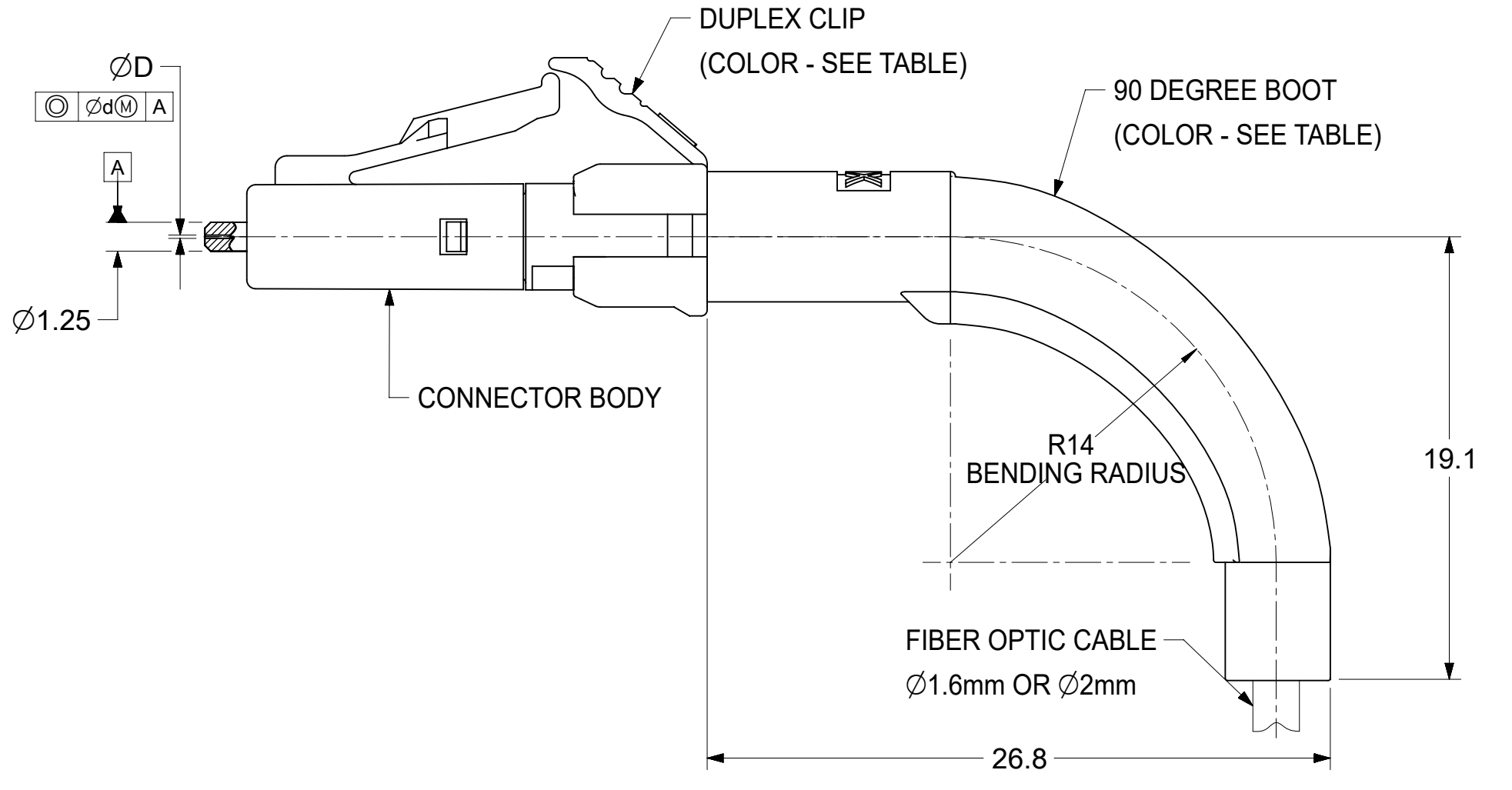
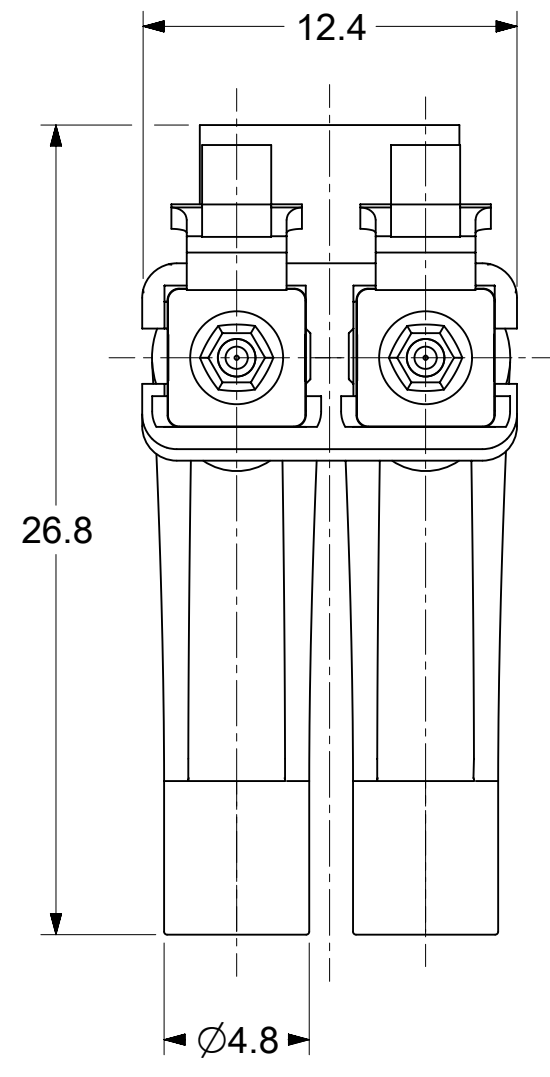


| CONNECTOR P/N | CONNECTOR TYPE | FERRULE HOLE $\phi D(\mu m)$ | FERRULE HOLE CONCENTRICITY $\phi d(\mu m)$ | HOUSING COLOR | BOOT COLOR | LOGO VERSION |
|---------------|----------------|------------------------------|--|---------------|------------|--------------|
| 1060257420 | SINGLE MODE | 125.5 | 1.0 | BLUE | WHITE | MOLEX LOGO |
| 1060257451 | | | | | BLUE | |
| 1060257452 | | | | | BEIGE | |
| 1060257453 | | | | | YELLOW | |
| 1060257454 | | | | | WHITE | |
| 1060257455 | | | | | RED | |
| 1060257456 | | NO LOGO | | | 126.0 | GREEN |
| 1060257457 | | | | | | BLUE |
| 1060257458 | | | | | | BEIGE |
| 1060257459 | | | | | | YELLOW |
| 1060257460 | | | | | | WHITE |
| 1060257461 | | | | | | RED |
| 1060257462 | | | | | | GREEN |
| 1060257470 | | | | | | MUTIMODE |
| 1060257471 | WHITE | | | | | |



ISOMETRIC VIEWS
SCALE 1.5:1



- NOTES:
1. ALL DIMENSIONS ARE FOR REFERENCE ONLY.
 2. TUBING P/N 86024-2012 MUST BE SHORTENED AFTER FILLING THE EPOXY ACCORDING TO THE TERMINATION PROCEDURE P/N PS-86028-2000
 3. DUST CAPS ARE NOT SHOWN.
 4. DUPLEX CLIP AND BOOT(90DEGREE) SHOULD BE ASSEMBLED AFTER POLISH OPERATION.

| | | | | | | | | | |
|---|--|--------------------------|--|---|--|----------------|--|--|--|
| THIS DRAWING CONTAINS INFORMATION THAT IS PROPRIETARY TO MOLEX ELECTRONIC TECHNOLOGIES, LLC AND SHOULD NOT BE USED WITHOUT WRITTEN PERMISSION | | | | | | | | | |
| DIMENSION UNITS: mm | | SCALE: 5:1 | | CURRENT REV DESC: | | | | | |
| GENERAL TOLERANCES (UNLESS SPECIFIED) | | ANGULAR TOL ± 0.5° | | EC NO: 695254 DRWN: JHUANG18 2022/01/20 CHK'D: IGUMIN 2022/04/29 APPR: IGUMIN 2022/04/29 | | | | | |
| 4 PLACES ± | | 3 PLACES ± | | 2 PLACES ± | | 1 PLACE ± | | 0 PLACES ± | |
| DRAFT WHERE APPLICABLE MUST REMAIN WITHIN DIMENSIONS | | THIRD ANGLE PROJECTION | | DRAWING: C-SIZE | | SERIES: 106025 | | DOCUMENT NUMBER: SD-106025-74XX DOC TYPE: PSD DOC PART: 001 REVISION: D | |
| MATERIAL NUMBER: SEE TABLE | | CUSTOMER: GENERAL MARKET | | SHEET NUMBER: 1 OF 1 | | | | | |