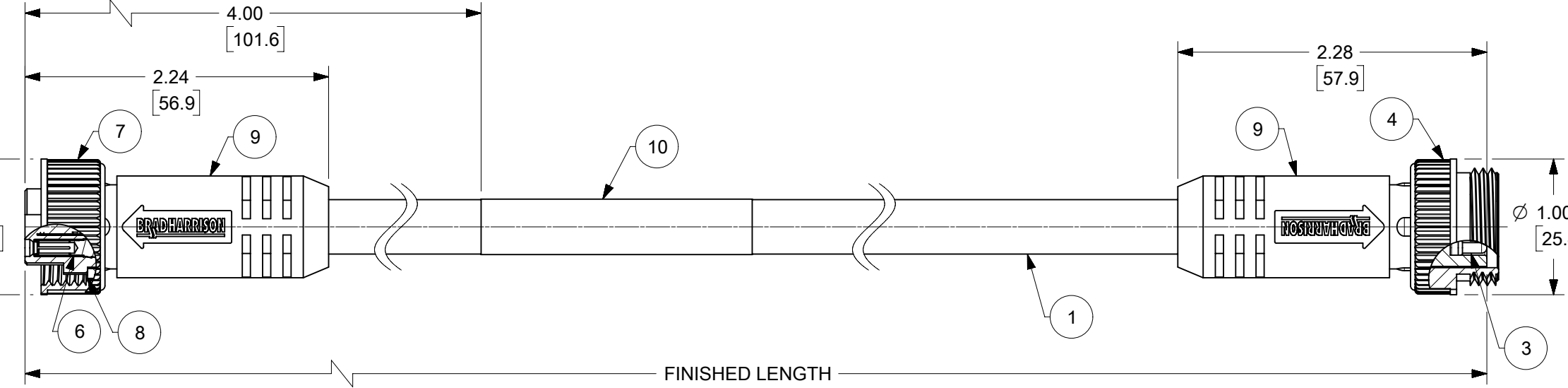
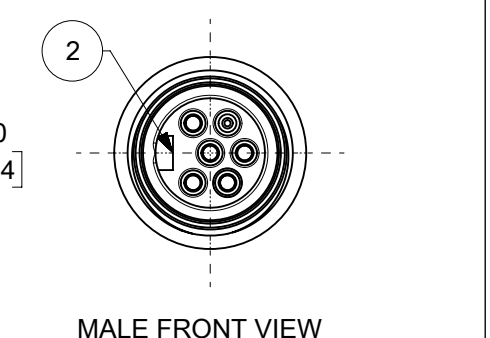
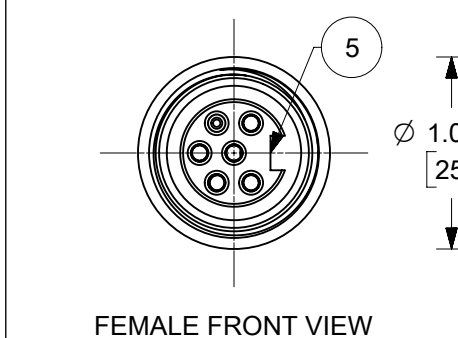
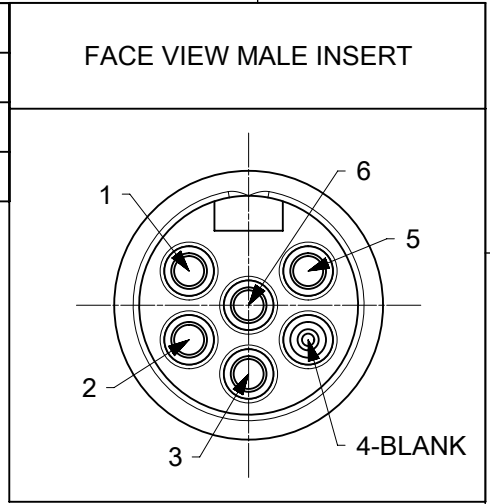
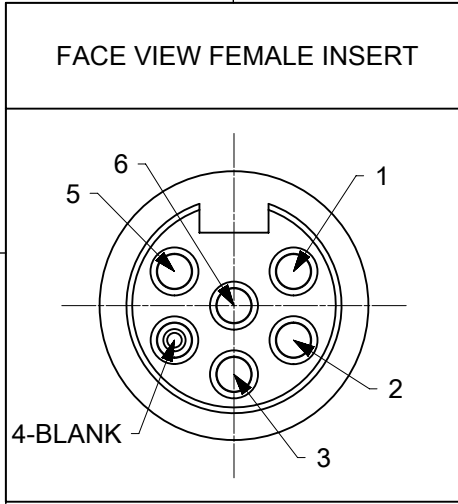


130018-0477-M020

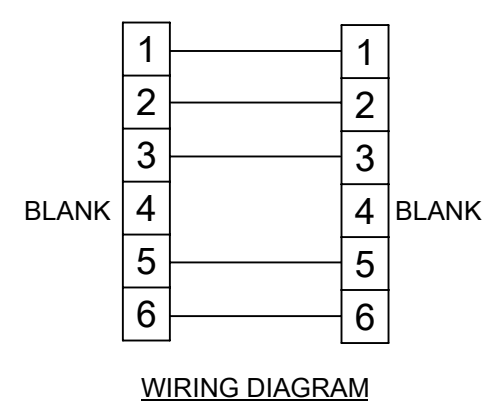
LENGTH
M001 = .1 METERS
M010 = 1.0 METERS
M100 = 10 METERS

PART NUMBER MATRIX

MATERIAL NO.	ENGINEERING NO.	FINISHED LENGTH
1300180477	130018-0477-M020	2.00M (6.56')
1300180480	130018-0477-M040	4.00M (13.12')
1300180485	130018-0477-M120	12.00M (39.37')



- NOTES:**
1. MATERIAL: AS NOTED
 2. FINISH: AS NOTED
 3. ELECTRICAL:
VOLTAGE; 600V AC/DC
CURRENT: 10A
 4. TEMP RATING: -20°C TO +90°C
 5. PROTECTION: IP67 (WHEN MATED)
 6. COUPLING THREADS: 7/8"-16UN
 7. ADDITIONAL CABLE SPECIFICATIONS:
TORSIONAL FLEX TEST: 20 MILLION CYCLES
BEND FLEX TEST: 20 MILLION CYCLES
 8. ALL DIMS ARE FOR REFERENCE UNLESS NOTED OTHERWISE



ITEM	DESCRIPTION	MATERIAL	FINISH
10	WRAP LABEL	VINYL	BLACK/YELLOW
9	OVERMOLD	TPE	RED
8	FRICTION RING	NYLON	NATURAL
7	FEMALE COUPLER	ZINC DIE CAST	BLACK E-COAT
6	CONTACT SOCKET	COPPER ALLOY	GOLD PLATED
5	FEMALE INSERT (A-SIZE)	TPE	YELLOW
4	SORMALE COUPLER	ZINC DIE CAST	BLACK E-COAT
3	CONTACT PIN	COPPER ALLOY	GOLD PLATED
2	MALE INSERT (A-SIZE)	TPE	YELLOW
1	CABLE #16-5 AWG TC-ER	TPE JACKET	YELLOW

CABLE LENGTH TOLERANCES

>.3M [1FT]: +19mm-0 [+ .75in-0]

.3 - .9M [1 - 3FT]: +44.5mm-0 [+1.75in-0]

.9 - 1.8M [3 - 6FT]: +55.6mm-0 [+2.19in-0]

1.8 - 3.7M [6 - 12FT]: +88.9mm-0 [+3.50in-0]

3.7 - 7.3M [12 - 24FT]: +165.1mm-0 [+6.50in-0]

7.3-14.6M [24 - 48FT]: +317.5mm-0 [+12.50in-0]

14.6 - 30.5M [48-100FT]: +622.3mm-0 [+24.50in-0]

OVER 30M [100FT] +2% OF FINISHED LENGTH

SYMBOLS		THIS DRAWING CONTAINS INFORMATION THAT IS PROPRIETARY TO MOLEX ELECTRONIC TECHNOLOGIES, LLC AND SHOULD NOT BE USED WITHOUT WRITTEN PERMISSION	
▽ = 0	DIMENSION UNITS	SCALE	CURRENT REV DESC: RELEASE
▽ = 0	HYBRID	1:1	
▽ = 0	GENERAL TOLERANCES (UNLESS SPECIFIED)		EC NO: 612395
▽ = 0	ANGULAR TOL ± °		DRWN: MZIELINSKI 2019/02/20
▽ = 0	4 PLACES ±		CHK'D: RSTONE 2019/02/25
▽ = 0	3 PLACES ±		APPR: BWOODMAN 2019/03/03
▽ = 0	2 PLACES ±		INITIAL REVISION:
▽ = 0	1 PLACE ±		DRWN: MZIELINSKI 2019/02/20
▽ = 0	0 PLACES ±		APPR: BWOODMAN 2019/03/03
▽ = 0	DRAFT WHERE APPLICABLE MUST REMAIN WITHIN DIMENSIONS		THIRD ANGLE PROJECTION
▽ = 0			DRAWING SERIES
		B-SIZE	130018
		MATERIAL NUMBER CUSTOMER SHEET NUMBER	
		1300180477	PSD 000 A
		1 OF 1	