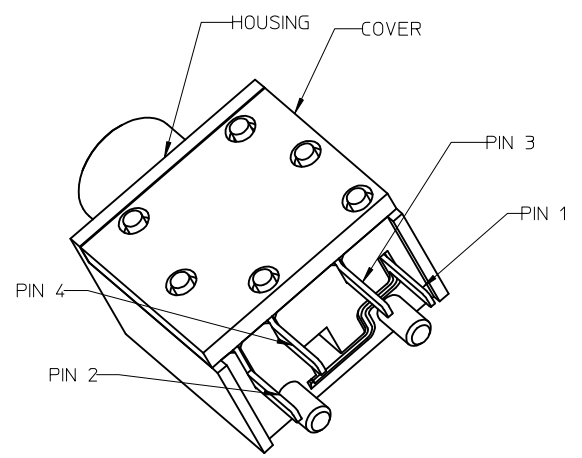
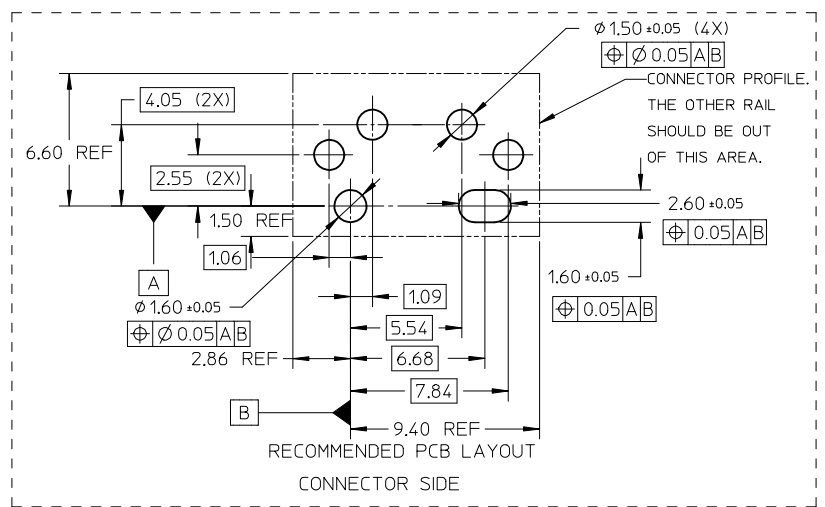
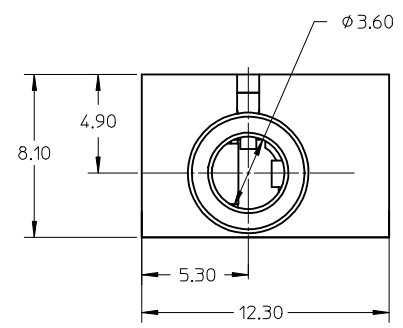
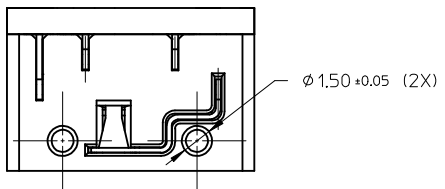
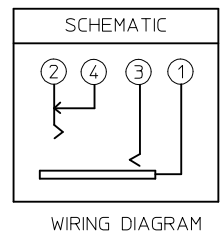
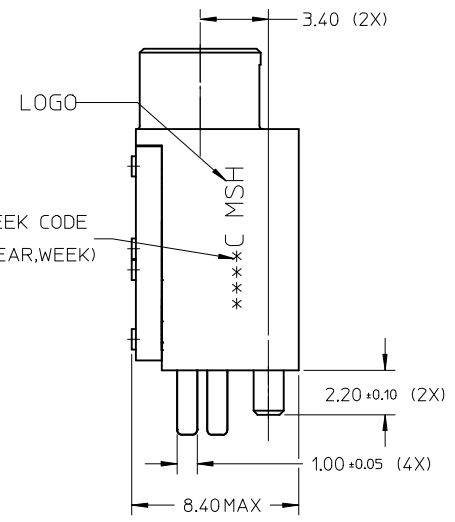
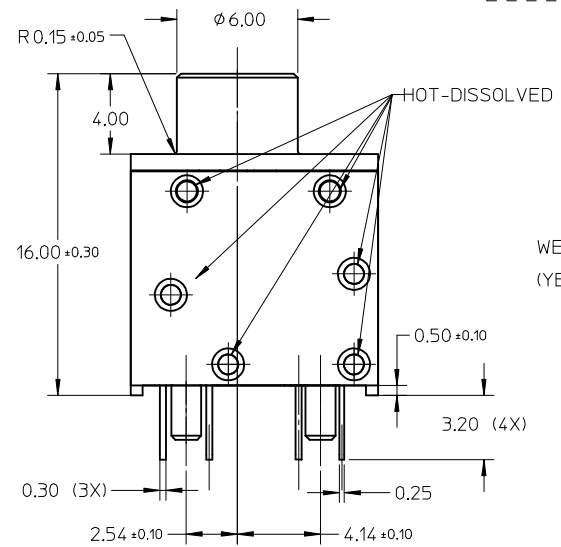


10 9 8 7 6 5 4 3 2 1



NOTE:

- 1.MATERIALL:  
 PART TO BE COMPLIANT WITH RELOW PROCEWW AT 260°C.  
 HOUSING & COVER: NYLON, GLASS FIBER FILLED,  
 UL94V-0, COLOR: BLACK  
 TERMINAL: PIN 1 : PHOSPHOR BRONZE  
 PIN 2 : PHOSPHOR BRONZE  
 PIN 3 : PHOSPHOR BRONZE  
 PIN 4 : BRASS
- 2.FINISH:  
 TERMINAL:  
 CONTACT AREA: GOLD, THICKNESS=0.75 MICRON MIN.  
 SOLDER TAIL: TIN, THICKNESS=2 MICRON MIN.  
 UNDERPLATE: NICKEL, THICKNESS=2 MICRON MIN
- 3.RECOMMANDED PCB THICKNESS: 1.60±0.05mm  
 4.PRODUCT SPECIFICATION REFER TO PS-47257-001  
 5.PACKAGING SPECIFICATION REFER TO PK-47257-001



REVISE	EC NO: SH2011-0108	2010/10/26	2010/11/01
	DRW:NYFANG05		
	CHKD:		
	APPR:RZHANG		

QUALITY SYMBOLS	▽=0
	∇=0

GENERAL TOLERANCES (UNLESS SPECIFIED)	mm	INCH
	4 PLACES ± ---	± ---
	3 PLACES ± ---	± ---
	2 PLACES ± 0.25	± ---
	1 PLACE ± 0.25	± ---
	ANGULAR ± 1/2°	
DRAFT WHERE APPLICABLE MUST REMAIN WITHIN DIMENSIONS		

DIMENSION STYLE		SCALE	DESIGN UNITS	THIRD ANGLE PROJECTION
MM ONLY		1:1	METRIC	
DRAWN BY	DATE	TITLE		
MZCHEN	2005/04/26	3.5MM STEREO JACK		
CHECKED BY	DATE	4 POSITION SLIM DESIGN		
GRMA	2005/05/30	WITH SWITCH		
APPROVED BY	DATE	MOLEX INCORPORATED		
RZHANG	2010/11/01	MOLEX INCORPORATED		
MATERIAL NO.	DOCUMENT NO.	SHEET NO.		
47257-0001	SD-47257-001	1 OF 1		

DRAWN BY		DATE	TITLE	
MZCHEN		2005/04/26	3.5MM STEREO JACK	
CHECKED BY		DATE	4 POSITION SLIM DESIGN	
GRMA		2005/05/30	WITH SWITCH	
APPROVED BY		DATE	MOLEX INCORPORATED	
RZHANG		2010/11/01	MOLEX INCORPORATED	
MATERIAL NO.	DOCUMENT NO.	SHEET NO.		
47257-0001	SD-47257-001	1 OF 1		

9 8 7 6 5 4 3 2 1