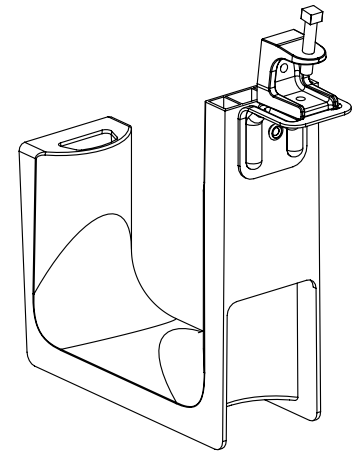
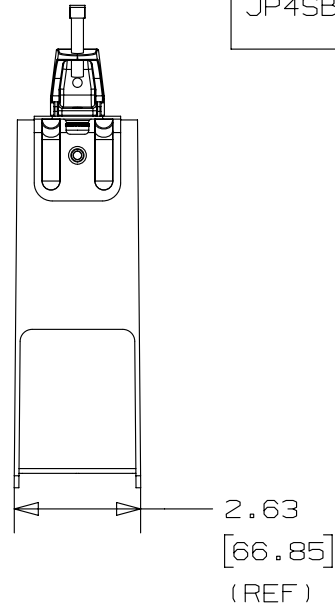
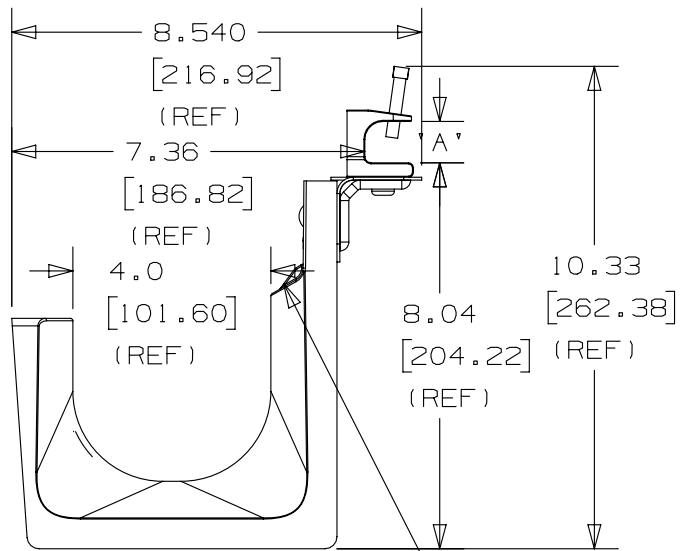


THIS COPY IS PROVIDED ON A RESTRICTED BASIS AND IS NOT TO BE USED IN ANY WAY DETRIMENTAL TO THE INTERESTS OF PANDUIT CORP.



PANDUIT PART NO.	'A'	WEIGHT 10pcs lbs (g)
JP4SBC87RB----	0.812 - 0.912 [20.6-23.2]	7.286 (3305)

- NOTES:
- SEE CURRENT PRICE SHEET FOR PART NUMBER SUFFIX DESIGNATION FOR PACKAGE SIZE AND PRODUCT COLOR.
 - HOOK MATERIAL: NYLON 6/6
ANGLE BRACKET MATERIAL: PRE-GALVANIZED STEEL
RIVET MATERIAL: ALUMINUM
CLAMP MATERIAL: PLATED IRON
BOLT/WASHER MATERIAL: ZINC PLATED STEEL
 - PRODUCT IS DESIGNED TO SUPPORT A MAXIMUM OF 4" (19.05) DIAMETER BUNDLE. MAXIMUM RECOMMENDED STATIC LOAD: 50 lbs.
 - PRODUCT INCORPORATES FEATURES ALLOWING USER TO RETAIN CABLE BUNDLES IN J-PRO J-HOOK WITH TAK-TY CABLE TIES UP TO 3/4" WIDE.
 - PRODUCT MARKINGS:
cULus logo and statement:
"SUITABLE FOR USE IN AIR HANDLING SPACES IN ACCORDANCE WITH SECTION 300-22 (C) & (D) OF THE NATIONAL ELECTRIC CODE."
ULC logo and statement:
"IN ACCORDANCE WITH CAN/ULC S-102.2-10 IN SINGLE UNITS , MINIMUM 4 ft (1220mm) MIN. SPACING, FSR=0, SDC=35."

TITLE J-PRO J-HOOK WITH 360° SCREW-ON BEAM CLAMP (JP4SBC87RB----)				
CUSTOMER DRAWING				
ITEM REVISION NAME 121031AT/00		PANDUIT TM		
DATASET FILE NAME 121031AT_DC_C11039/00A		MATERIAL: SEE NOTE 2		
UNLESS OTHERWISE SPECIFIED, DIMENSIONAL TOLERANCES ARE: IN [mm] .x ± .1 [2.54] .xxx ± .005 [.127] .xx ± .01 [.25] ANGLES ± 5 °		DRAWING NUMBER: C11039		
THIRD ANGLE PROJECTION		SCALE		
DRAWN BY DBLA	DATE 2/4/2013	CHK KLN	SCALE NONE	SHT 1 OF 1
REV		DATE	BY	CHK
APR		DESCRIPTION		ECN
OO		2/4/2013	DBLA	CLW
KLN		INITIAL RELEASE		GAECN00427

D10100DA/12

2

1

2

1