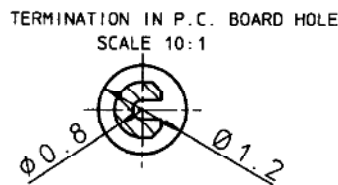
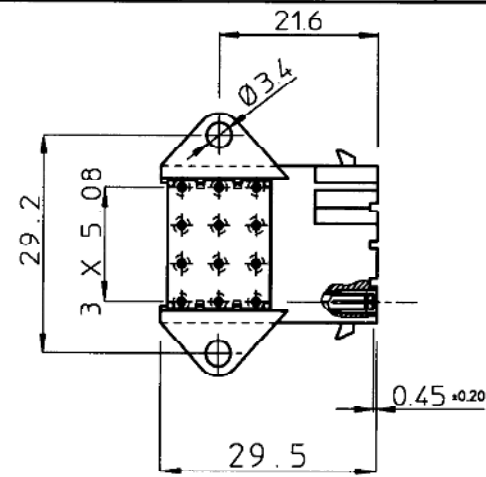
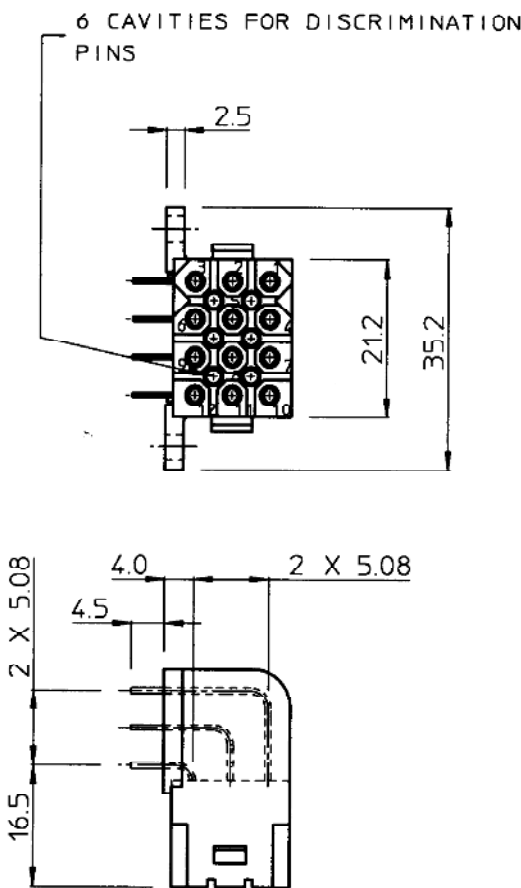


DIT IS ONZE EIGENDOM EN WIS NIET TE WORDEN REPRINTERD, OVERGEGEEN AAN DEREN, NOCH WERK FAARVALE NIECHT MOETEN, ZONDER ONZE SCHRIFTELIJKE TOESTEMMING. BIJ NIET GEBRUIK IS DE TERUGGANG VERPLICHT.

THIS IS OUR EXCLUSIVE PROPERTY. IT IS NOT TO BE COPIED, REPRINTED OR DISCLOSED TO A THIRD PARTY, NOR USED FOR MANUFACTURING WITHOUT OUR WRITTEN CONSENT, AND HAS TO BE RETURNED TO US IN CASE OF NO USAGE.

BS.A . 201927 . 011 . 0A

REV.	DATE	DESCRIPTION	BY	C'K'D'



**MATERIAL :**  
**HOUSING :** GLASS FILLED POLYESTER UL94-V0, BLACK  
**CONTACTS :** STAMPED AND FORMED HIGH CONDUCTIVE COPPER ALLOY  
**PLATING (\*\*):** K9 : GOLD IN CONTACT AREA 0.4 μ MIN., TIN/LEAD ON TERMINATION  
**T :** TIN ALL OVER.

**PERFORMANCE CHARACTERISTICS :**  
**OPERATING TEMPERATURE :** -55°C TO 125°C  
**INSULATING RESISTANCE :** 5000 MΩ MIN.  
**TEST POTENTIAL :** 2000 VAC  
**CURRENT RATING :** 5 AMP  
**CONTACT RESISTANCE :** 6 mΩ MAX.

**NOTES :**  
 CONNECTOR SUPPLIED FULLY LOADED.  
**MATING PARTS :** SMS--P1 (WITHOUT CABLE HOOD AND WITHOUT DISCRIMINATION CAVITIES)  
 SMS--PDH1 (WITH INTEGRATED CABLE HOOD AND DISCRIMINATION CAVITIES)  
 DISCRIMINATION WITH PINS (SMSPKE3 PER BS.C .201424.003)  
 IS GUARANTEED WITHOUT LOSS OF CONTACT POSITIONS.  
 DRILLING HOLE PATTERN : SEE DRAWING BS.C .201713.000

GEN. ST.	01	02	03	04	05	06	07	08	0D	50	60	70	80	90																	
INT. ST.	10	11	12	13	14	18	20	31	32	33	34	38	39	40	42	43	44	45	46	48	56	70	72	73	X	76	81	82	X	84	88
1DEC ±0.2 2DEC ±0.1 ANGLES ±1°	1DEC 2DEC HOEKEN	APPR.		DATE		SIGN.		STAMPED FEMALE QIKMATE RIGHT ANGLE RECEPTACLE																							
WE RESERVE THE RIGHT TO CHANGE DIMENSIONS OR REQUIREMENTS WITHOUT PRIOR NOTICE.		DRAFT		21-12-95		S. Van Dessel		CAT. No. SMS12SE5*																							
ALL DIMENSIONS IN MM		PROD. MGR.		PR. ENG. MGR.		PR. MGT. MGR.		SOURIAU Route Nationale 23 72470 CHAMPAGNE												SCALE 1:1											
ALLE AFMETINGEN IN MM		REFERENCES / REFERENTIES						BS.A . 201927 . 011 . 0A DRAWING NR																							