



Changeover operating mechanism for contactors 3RT107, 3RT127, 3RT147, AC (50...60 Hz) / DC operation, 96 ... 127 V Operating mechanism: electronic with PLC interface 24 V DC Spring-type terminal

product brand name	SIRIUS
product designation	Magnet coil
Substance Prohibance (Date)	05/01/2012
type of voltage of the control supply voltage	AC/DC
control supply voltage 1 at AC	
• at 50 Hz	96 ... 127 V
• at 60 Hz	96 ... 127 V
control supply voltage 2 at AC	
• at 50 Hz rated value	127 V
• at 60 Hz rated value	127 V
control supply voltage 1	
• at DC	96 ... 127 V
control supply voltage 2 at DC rated value	127 V
apparent pick-up power of magnet coil at AC	
• at 50 Hz	750 VA
• at 60 Hz	750 VA
inductive power factor with closing power of the coil	
• at 50 Hz	0.8
• at 60 Hz	0.8
apparent holding power of magnet coil at AC	
• at 50 Hz	7 VA
• at 60 Hz	7 VA
inductive power factor with the holding power of the coil	
• at 50 Hz	0.8
• at 60 Hz	0.8

**Approvals Certificates**

General Product Approval	EMC	Declaration of Conformity
--------------------------	-----	---------------------------



[Confirmation](#)



Declaration of Conformity	Test Certificates	Marine / Shipping
---------------------------	-------------------	-------------------



[Special Test Certificate](#)

[Type Test Certificates/Test Report](#)




[Confirmation](#)
[Miscellaneous](#)
[Special Test Certificate](#)

#### Further information

Siemens has decided to exit the Russian market (see here).

<https://press.siemens.com/global/en/pressrelease/siemens-wind-down-russian-business>

Siemens is working on the renewal of the current EAC certificates.

Please contact your local Siemens office on the status of validity of the EAC certification if you intend to import or offer to supply these products to an EAC relevant market (other than the sanctioned EAEU member states Russia or Belarus).

Information on the packaging

<https://support.industry.siemens.com/cs/ww/en/view/109813875>

Information- and Downloadcenter (Catalogs, Brochures,...)

<https://www.siemens.com/ic10>

Industry Mall (Online ordering system)

<https://mall.industry.siemens.com/mall/en/en/Catalog/product?mlfb=3RT1975-5NF32>

Cax online generator

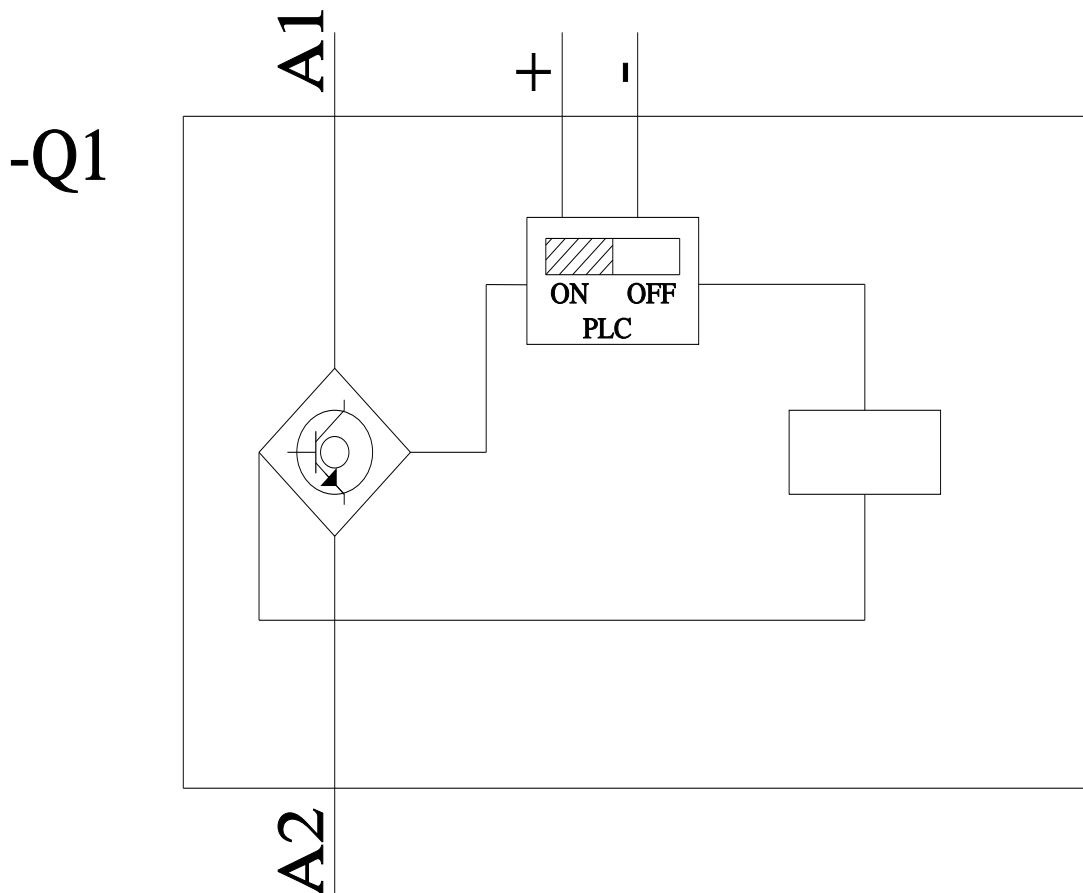
<http://support.automation.siemens.com/WW/CAXorder/default.aspx?lang=en&mlfb=3RT1975-5NF32>

Service&Support (Manuals, Certificates, Characteristics, FAQs,...)

<https://support.industry.siemens.com/cs/ww/en/ps/3RT1975-5NF32>

Image database (product images, 2D dimension drawings, 3D models, device circuit diagrams, EPLAN macros, ...)

[http://www.automation.siemens.com/bilddb/cax\\_de.aspx?mlfb=3RT1975-5NF32&lang=en](http://www.automation.siemens.com/bilddb/cax_de.aspx?mlfb=3RT1975-5NF32&lang=en)



last modified:

12/1/2021