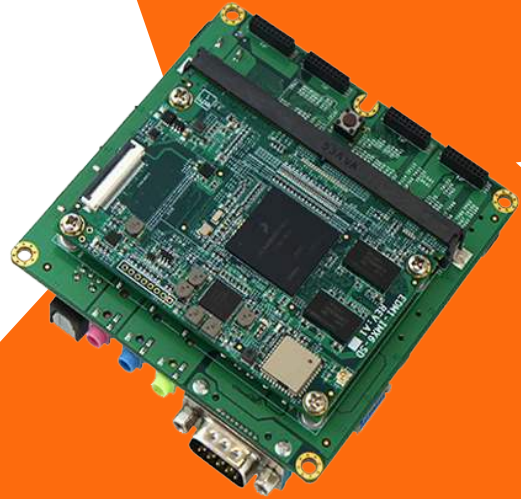




# NXP i.MX6 Cortex-A9

low cost open source community development board

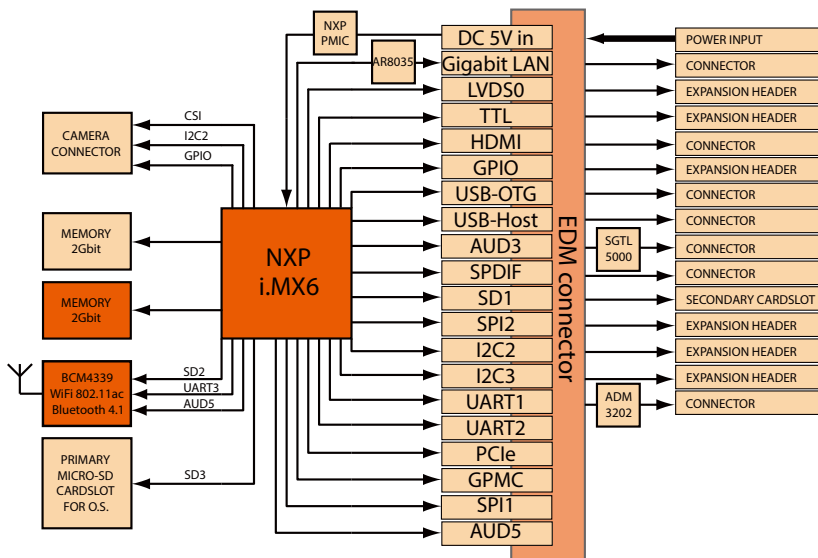


## Specifications

	Wandboard Solo	Wandboard Dual	Wandboard Quad	Wandboard Quad Plus
<b>Processor</b>	NXP i.MX6 Solo	NXP i.MX6 DualLite	NXP i.MX6 Quad	NXP i.MX6 QuadPlus
<b>Architecture</b>	ARM Cortex-A9	ARM Cortex-A9	ARM Cortex-A9	ARM Cortex-A9
<b>PMIC</b>	x	NXP MMPF0100	NXP MMPF0100	NXP MMPF0100
<b>Memory</b>	512 MB DDR3	1 GB DDR3	2 GB DDR3	2 GB DDR3
<b>Storage</b>	MicroSD Cardslot	MicroSD Cardslot	MicroSD Cardslot	MicroSD Cardslot
<b>Gigabit LAN</b>	✓	✓	✓	✓
<b>WiFi/Bluetooth</b>	x	✓	✓	✓
<b>Audio</b>	✓	✓	✓	✓
<b>Optical S/PDIF</b>	✓	✓	✓	✓
<b>HDMI</b>	✓	✓	✓	✓
<b>Camera interface</b>	✓	✓	✓	✓
<b>Serial port</b>	✓	✓	✓	✓
<b>Expansion header</b>	✓	✓	✓	✓
<b>USB</b>	✓	✓	✓	✓
<b>USB OTG</b>	✓	✓	✓	✓
<b>SATA connector</b>	x	x	✓	✓

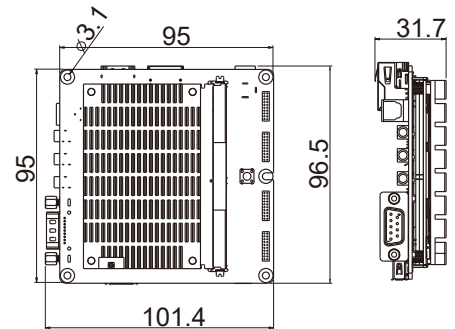
Complete Schematics, Source Code and Documentation can be found on: [www.wandboard.org](http://www.wandboard.org)

## Block Diagram



■ Depending on configuration

## Dimensional Drawing



## Order Information

Model Name	Description
WB-IMX6S	Wandboard i.MX6 Solo
WB-IMX6U-BW	Wandboard i.MX6 DualLite
WB-IMX6Q-BW	Wandboard i.MX6 Quad
WB-IMX6QP-BW	Wandboard i.MX6 QuadPlus
WBENCLOSURE	Wandboard enclosure
WBANTENNAKIT	Wandboard antenna kit
CAM-OV5645	Camera module