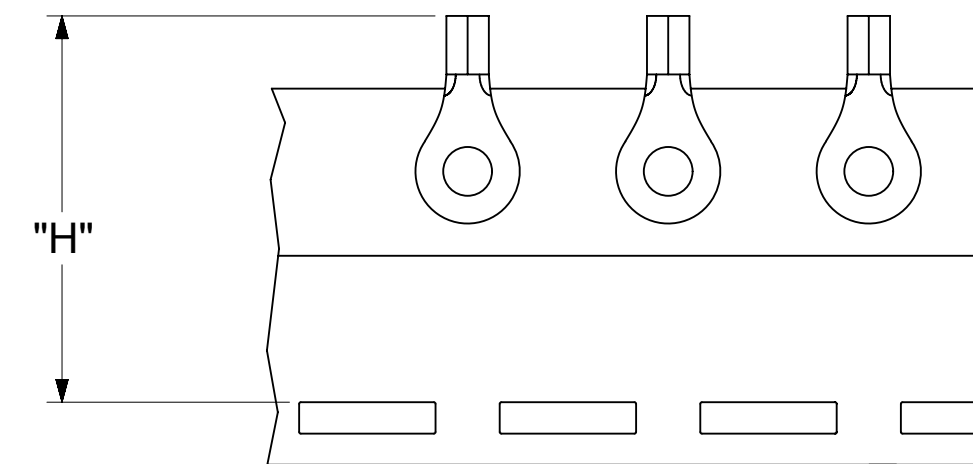
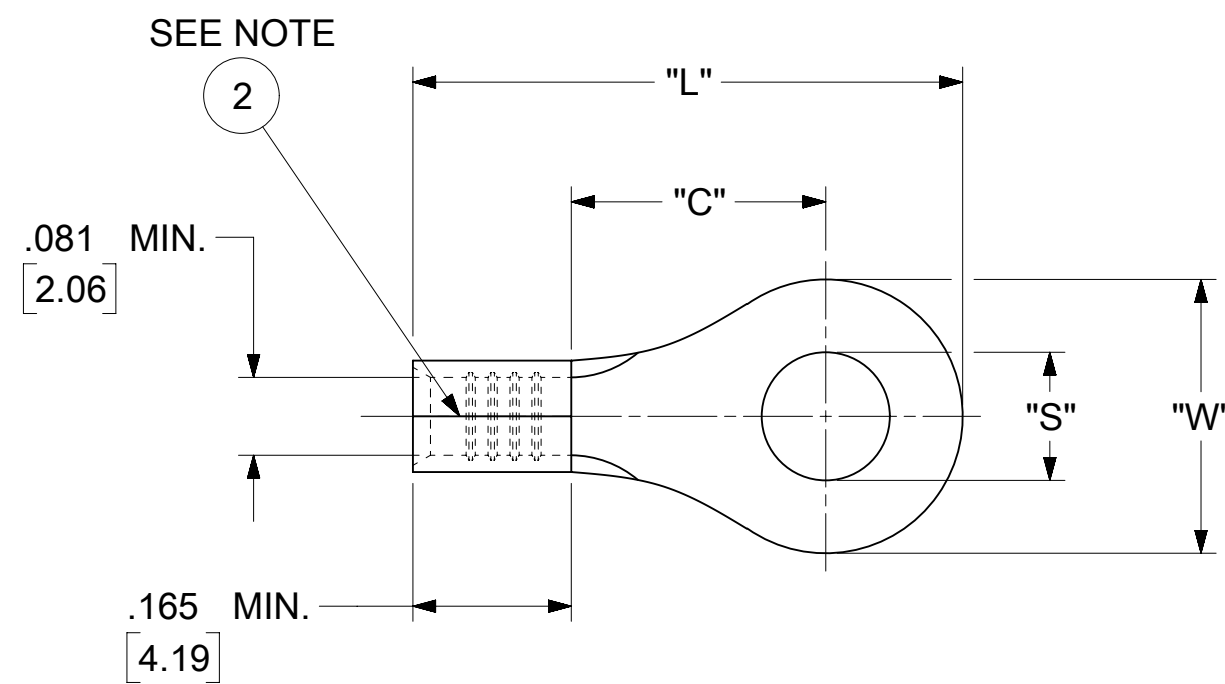


LOOSE PIECE		TAPE MOUNTED		SPECIFICATIONS					
MATERIAL NUMBER	ENGINEERING NUMBER	MATERIAL NUMBER	ENGINEERING NUMBER	STUD SIZE	"S" ±.005 [0.13]	"W" ±.010 [0.25]	"C" MIN.	"L" MAX.	"H"
191930055	BB-318-14	---	---	14	.265 [6.73]	.534 [13.56]	.554 [14.07]	1.036 [26.31]	---
191930057	BB-318-38	---	---	38	.390 [9.91]				
191930062	BB-323-02	191930063	BB-323-02T	2	.094 [2.39]	.250 [6.35]	.209 [5.31]	.560 [14.22]	1.155 [29.34]
191930072	BB-325-14	191930073	BB-325-14T	14	.265 [6.73]	.467 [11.86]	.388 [9.86]	.837 [21.26]	1.155 [29.34]
191930074	BB-325-56	---	---	56	.328 [8.33]				
191930078	BB-337-06	191930079	BB-337-06T	6	.146 [3.71]	.312 [7.92]	.285 [7.24]	.645 [16.38]	1.155 [29.34]
191930080	BB-337-08	191930081	BB-337-08T	8	.173 [4.39]				
191930082	BB-337-10	191930083	BB-337-10T	10	.198 [5.03]				
191930089	BB-339-08	191930090	BB-339-08T	8	.173 [4.39]	.342 [8.69]	.310 [7.87]	.696 [17.68]	1.155 [29.34]
191930091	BB-339-10	191930092	BB-339-10T	10	.198 [5.03]				



PARTS ON TAPE

NOTES:

- MATERIAL: COPPER (STOCK THICKNESS .031±.001[0.79])
PLATING: ELECTRO-TIN (.0003 MIN).
- BRAZED SEAM
- WIRE SIZE: 16 - 14 AWG
1.0 - 2.5 MM²
- "UL" LISTING #E32244
"CSA" LISTING #18689
- ALL DIMENSIONS IN INCHES/[MM].
- PARTS ARE ROHS COMPLIANT.
- DIMS. SHOWN ARE FOR REFERENCE ONLY.

SYMBOLS	THIS DRAWING CONTAINS INFORMATION THAT IS PROPRIETARY TO MOLEX ELECTRONIC TECHNOLOGIES, LLC AND SHOULD NOT BE USED WITHOUT WRITTEN PERMISSION										
	DIMENSION UNITS		SCALE		CURRENT REV DESC: MIGRATION TO ECTR/NX						
	INCH/MM		NTS		EC NO: 620820 DRWN: ABENJAMINLW 2019/07/08 CHK'D: GROJAS01 2019/07/17 APPR: JMACNEIL 2019/08/06 INITIAL REVISION: DRWN: JJ 1984/11/27 APPR: JMACNEIL 2019/08/06						
	GENERAL TOLERANCES (UNLESS SPECIFIED)										
▽ = 0	4 PLACES	±	---	±	---	PRODUCT CUSTOMER DRAWING DOCUMENT NUMBER: 191930055 DOC TYPE: PSD DOC PART: 000 REVISION: A MATERIAL NUMBER: SEE TABLE CUSTOMER: GENERAL MARKET SHEET NUMBER: 1 OF 1					
▽ = 0	3 PLACES	±	---	±	.005						
▽ = 0	2 PLACES	±	0.13	±	.01						
▽ = 0	1 PLACE	±	0.25	±	---						
☒ = 0	0 PLACES	±	---	±	---	DRAFT WHERE APPLICABLE MUST REMAIN WITHIN DIMENSIONS THIRD ANGLE PROJECTION DRAWING: C-SIZE SERIES: 19193					
■ = 0	ANGULAR TOL		± 0.5 °								
▽ = 0	DRAFT WHERE APPLICABLE MUST REMAIN WITHIN DIMENSIONS		THIRD ANGLE PROJECTION		DRAWING		SERIES		MATERIAL NUMBER		
						C-SIZE		19193		SEE TABLE	