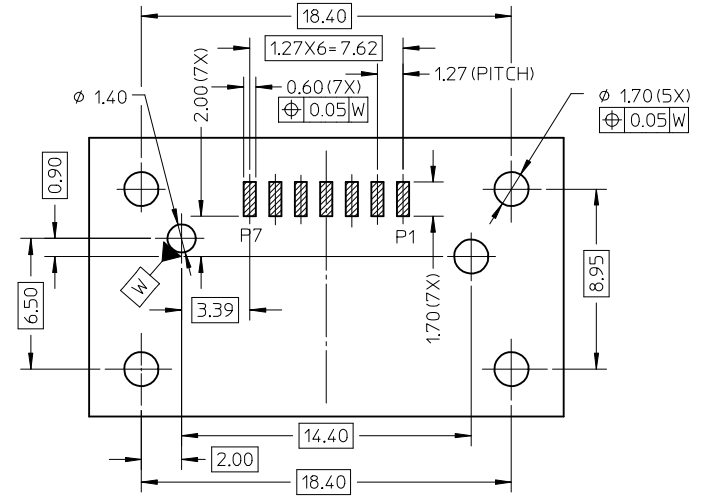
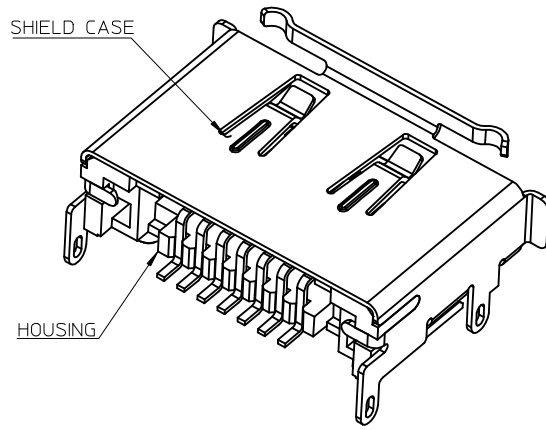
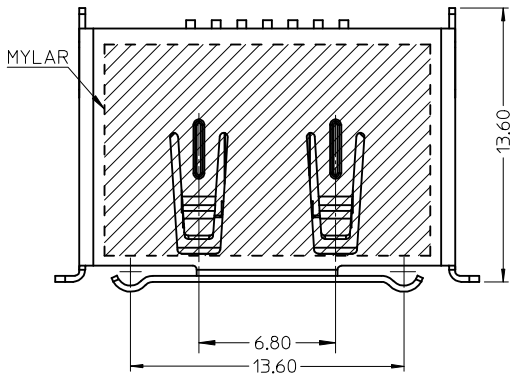
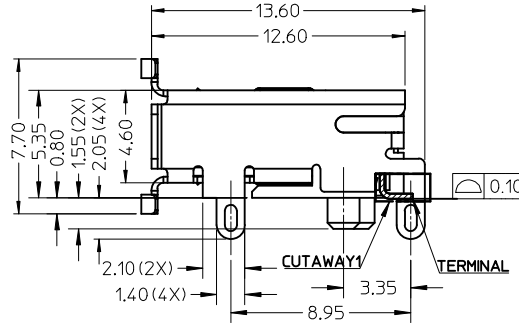
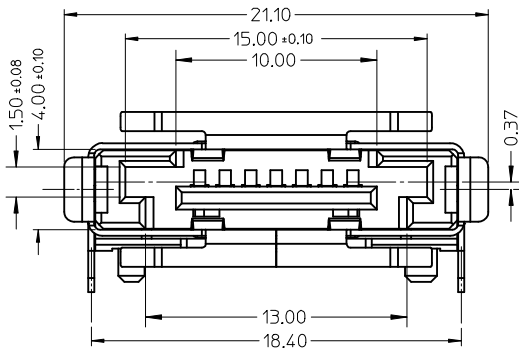


10 9 8 7 6 5 4 3 2 1



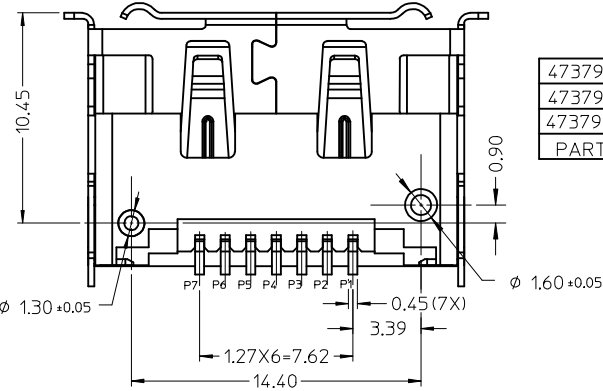
RECOMMEND PCB LAYOUT(CONNECTOR SIDE)  
THICKNESS=1.30(ALL TOLERANCE: +/-0.05)



NOTES:

- MATERIAL:  
HOUSING: THERMAL PLASTIC.COLOR: BLACK, UL94V-0.  
SHIELD CASE: COPPER ALLOY.  
TERMIANL: COPPER ALLOY.
- PLATING:  
SHIELD CASE: 100~200μ SOLDERABLE NICKEL OVER ALL.  
TERMINAL: CONTACT AREA GOLD PLATING(SEE CHART) AND SOLDER TAIL 50~100μ TIN ALLOY PLATING OVER 50μ MIN. NICKEL.
- PRODUCT SPEC REFER TO PS-47082-001.
- PACKAGE SPEC REFER TO PK-47379-001.
- PRODUCT MEET STANDARD 1.0 REVISION OF THE SERIAL ATA II: CABLE AND CONNECTOR VOL 2 SPECIFICATION.
- PRODUCT COMPLIANT TO RoHS DIRECTIVE 2002/95/EC AND ELV 2000/53/EC.

47379-2000	TERMINAL CONTACT AREA PLATED 30μ GOLD
47379-1000	TERMINAL CONTACT AREA PLATED 15μ GOLD
47379-0000	TERMINAL CONTACT AREA PLATED GOLD FLASH
PART NO.	DESCRIPTION



REVISED	EC NO:	2007/04/30
	DRW:GLLI	2007/05/04
	CHKD:	2007/05/09
	APPR:JINCHEN	
REV	DESCRIPTION	

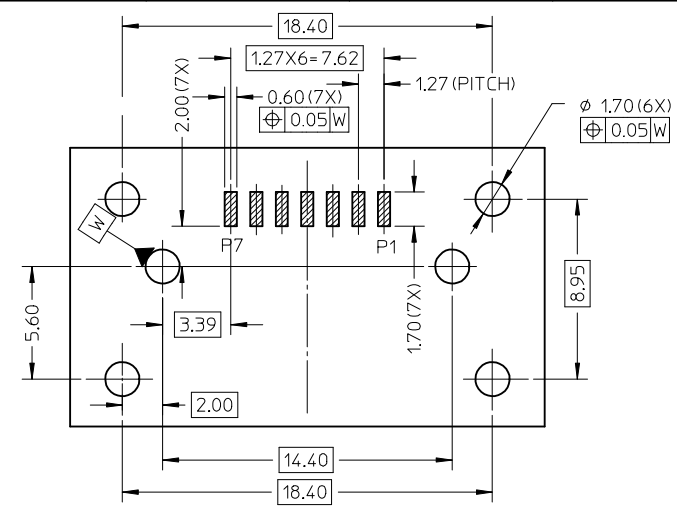
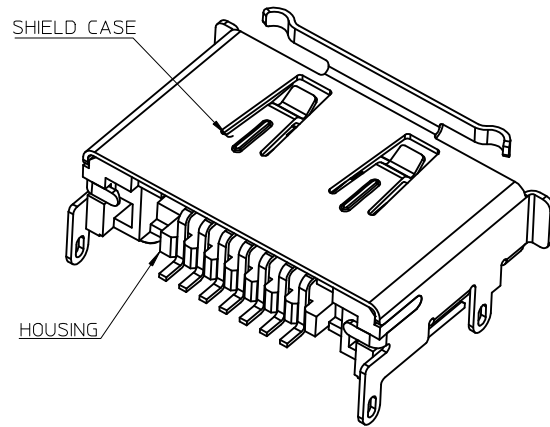
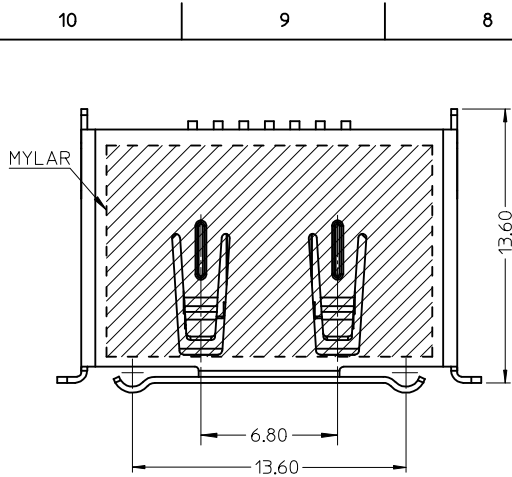
QUALITY SYMBOLS	$\blacktriangledown = 0$ $\triangleleft = 0$
-----------------	---

GENERAL TOLERANCES (UNLESS SPECIFIED)	mm	INCH
	4 PLACES ± ---	± ---
	3 PLACES ± ---	± ---
	2 PLACES ± 0.2	± ---
	1 PLACE ± 0.25	± ---
	ANGULAR ± 3 °	
DRAFT WHERE APPLICABLE MUST REMAIN WITHIN DIMENSIONS		

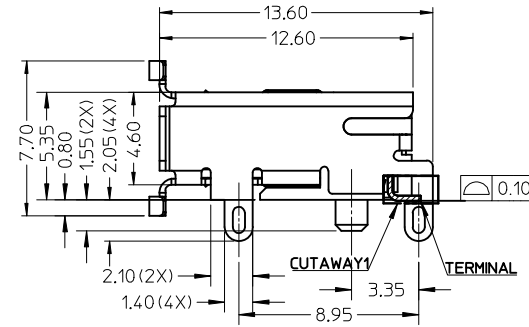
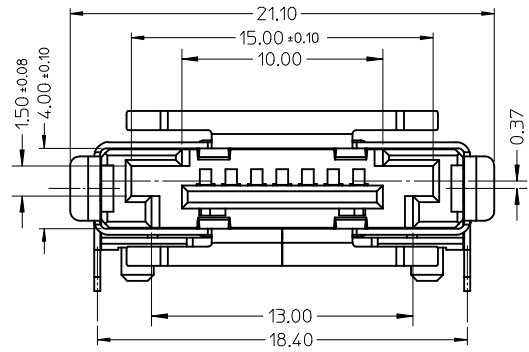
DIMENSION STYLE		SCALE	DESIGN UNITS	THIRD ANGLE PROJECTION
MM ONLY		1:1	METRIC	
DRAWN BY	DATE	TITLE		
DIXON LI	2005/12/23	EXTERNAL SATA PLUG SMT WITH SHELL TOP MOUNT TYPE		
CHECKED BY	DATE	MOLEX INCORPORATED		
JENNY ZENG	2005/12/23	SD-47379-100		
APPROVED BY	DATE	SHEET NO.		
GRATE MA	2005/12/23	1 OF 3		
MATERIAL NO.	DOCUMENT NO.	SEE CHART		

SIZE	THIS DRAWING CONTAINS INFORMATION THAT IS PROPRIETARY TO MOLEX INCORPORATED AND SHOULD NOT BE USED WITHOUT WRITTEN PERMISSION		
A3			

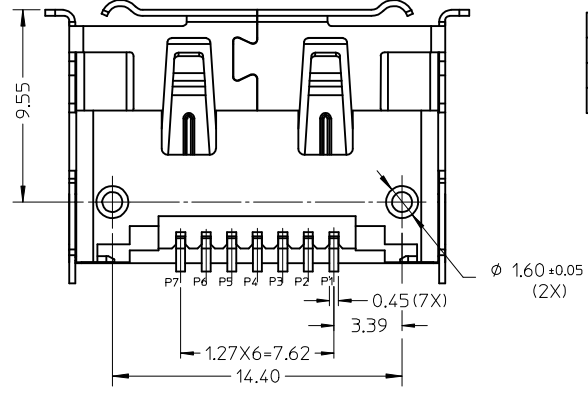
9 8 7 6 5 4 3 2 1



RECOMMEND PCB LAYOUT (CONNECTOR SIDE)  
THICKNESS=1.30 (ALL TOLERANCE: +/-0.05)



47379-2100	TERMINAL CONTACT AREA PLATED 30μ GOLD
47379-1100	TERMINAL CONTACT AREA PLATED 15μ GOLD
47379-0100	TERMINAL CONTACT AREA PLATED GOLD FLASH
PART NO.	DESCRIPTION



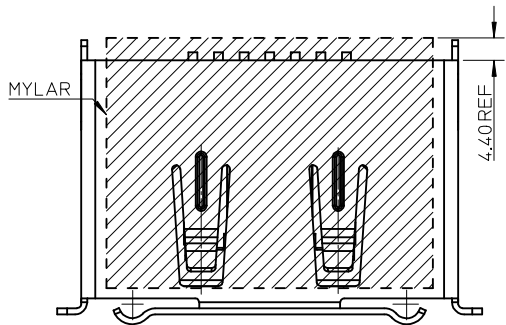
REVISED	EC NO:	2007/04/30
	DRWNG:GLL	2007/05/04
	CHKD:	2007/05/04
	APPR: JINCHEN	2007/05/09
REV	DESCRIPTION	

QUALITY SYMBOLS	▽=0
	∇=0
	4 PLACES ± --- ± ---
	3 PLACES ± --- ± ---
	2 PLACES ± 0.2 ± ---
1 PLACE ± 0.25 ± ---	
ANGULAR ± 3 °	
DRAFT WHERE APPLICABLE MUST REMAIN WITHIN DIMENSIONS	

GENERAL TOLERANCES (UNLESS SPECIFIED)	
mm	INCH
4 PLACES ± --- ± ---	
3 PLACES ± --- ± ---	
2 PLACES ± 0.2 ± ---	
1 PLACE ± 0.25 ± ---	
ANGULAR ± 3 °	
DRAFT WHERE APPLICABLE MUST REMAIN WITHIN DIMENSIONS	

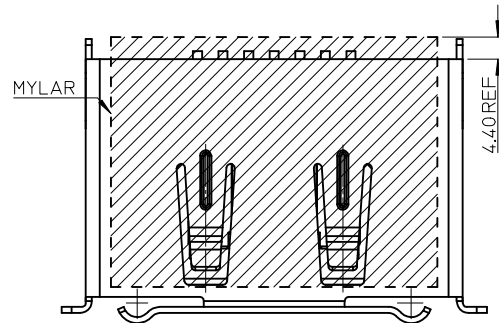
DIMENSION STYLE	SCALE	DESIGN UNITS	THIRD ANGLE PROJECTION
MM ONLY	1:1	METRIC	
DRAWN BY	DATE	TITLE	
DIXON LI	2005/12/23	EXTERNAL SATA PLUG	
CHECKED BY	DATE	SMT WITH SHELL	
JENNY ZENG	2005/12/23	TOP MOUNT TYPE	
APPROVED BY	DATE	MOLEX INCORPORATED	
GRATE MA	2005/12/23		
MATERIAL NO.	DOCUMENT NO.	SHEET NO.	
SEE CHART	SD-47379-100	2 OF 3	
THIS DRAWING CONTAINS INFORMATION THAT IS PROPRIETARY TO MOLEX INCORPORATED AND SHOULD NOT BE USED WITHOUT WRITTEN PERMISSION			

10 9 8 7 6 5 4 3 2 1



ALL DIMENSION REFER TO SHEET 1.

47379-2010	TERMINAL CONTACT AREA PLATED 30μ" GOLD
47379-1010	TERMINAL CONTACT AREA PLATED 15μ" GOLD
47379-0010	TERMINAL CONTACT AREA PLATED GOLD FLASH
PART NO.	DESCRIPTION



ALL DIMENSION REFER TO SHEET 2.

47379-2110	TERMINAL CONTACT AREA PLATED 30μ" GOLD
47379-1110	TERMINAL CONTACT AREA PLATED 15μ" GOLD
47379-0110	TERMINAL CONTACT AREA PLATED GOLD FLASH
PART NO.	DESCRIPTION

REVISED EC NO: SH2007-0788 DRWG:GLL CHKD:JTIAN APPR:JINCHEN	2007/04/30 2007/05/04 2007/05/09	DESCRIPTION REV	QUALITY SYMBOLS	GENERAL TOLERANCES (UNLESS SPECIFIED)	DIMENSION STYLE	SCALE	DESIGN UNITS	THIRD ANGLE PROJECTION	
			$\nabla=0$ $\square=0$	mm    INCH 4 PLACES ± --- ± --- 3 PLACES ± --- ± --- 2 PLACES ± 0.2 ± --- 1 PLACE ± 0.25 ± --- ANGULAR ± 3 °	MM ONLY	1:1	METRIC	DRAWN BY: DIXON LI    DATE: 2005/12/23 CHECKED BY: JENNY ZENG    DATE: 2005/12/23 APPROVED BY: GRATE MA    DATE: 2005/12/23	TITLE
			DRAFT WHERE APPLICABLE MUST REMAIN WITHIN DIMENSIONS	SEE CHART	EXTERNAL SATA PLUG SMT WITH SHELL TOP MOUNT TYPE	MOLEX INCORPORATED DOCUMENT NO. SD-47379-100	SHEET NO.		
			THIS DRAWING CONTAINS INFORMATION THAT IS PROPRIETARY TO MOLEX INCORPORATED AND SHOULD NOT BE USED WITHOUT WRITTEN PERMISSION	SIZE: A3	3 OF 3				

9 8 7 6 5 4 3 2 1