

MATERIALS AND FINISHES

BODY, REAR BODY, JAM NUT, LOCKWASHER BRASS
PLATED NICKEL

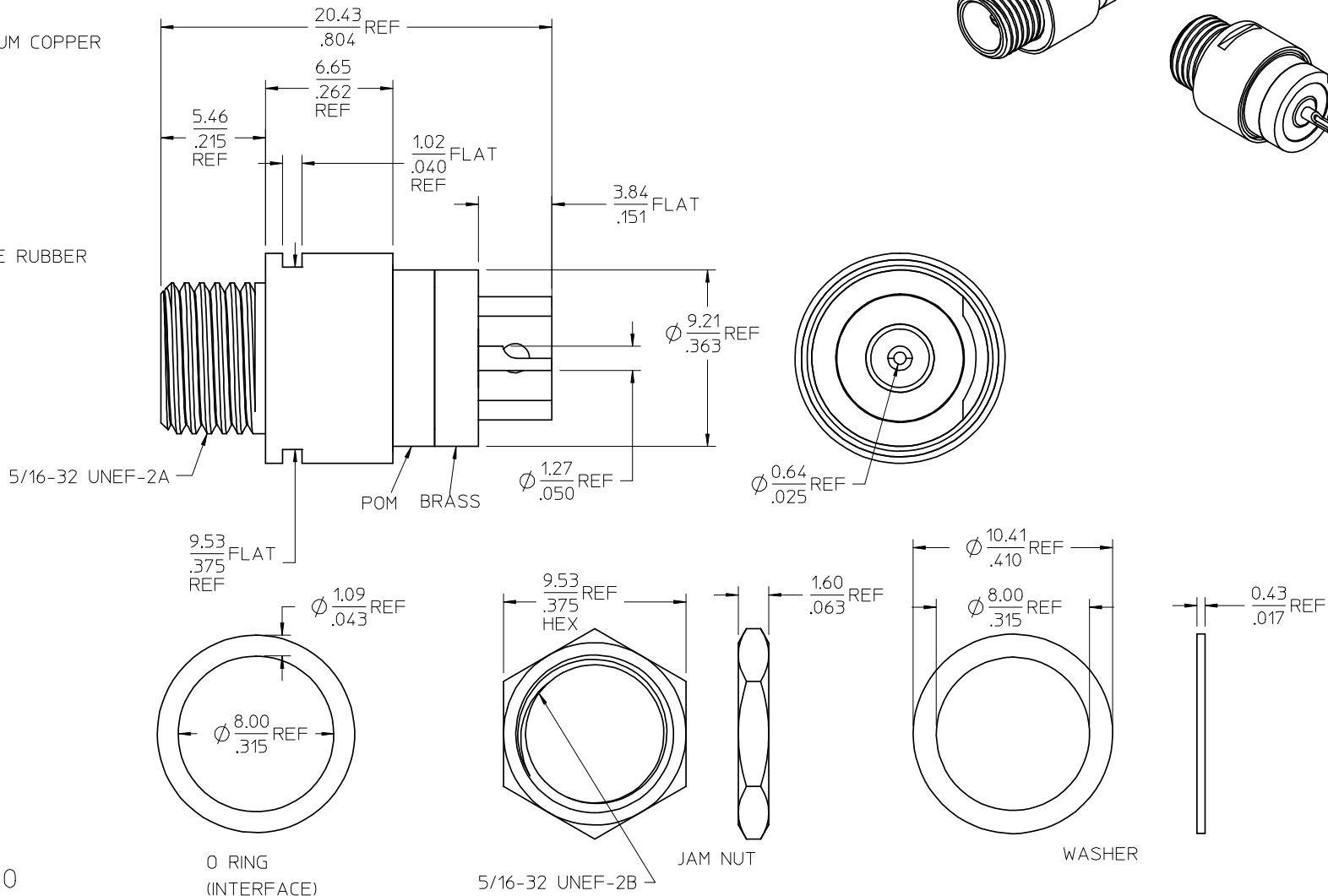
CENTER CONTACT BERYLLIUM COPPER
OR PHOSPHOR BRONZE
PLATED SILVER

INSULATOR TEFLON

ISOLATION BODY POM

O RING (INTERNAL) SILICONE RUBBER

O RING (INTERFACE) VITON



PART # 73415-6580

O RING
(INTERFACE)

5/16-32 UNEF-2B

JAM NUT

WASHER

CHG: REMOVED SLEEVE ADDED O-RING DIA EC NO: URF2009-0039 2008/07/24 DRWN: WIENER 2008/07/24 CHKD: JL APPR: WIENER 2008/07/24	QUALITY SYMBOLS ▽=0 ▽=0	GENERAL TOLERANCES (UNLESS SPECIFIED)		DIMENSION STYLE MM/IN		SCALE	DESIGN UNITS METRIC	THIRD ANGLE PROJECTION			
		4 PLACES ± --- ± ---	3 PLACES ± --- ± ---	2 PLACES ± --- ± ---	1 PLACE ± --- ± ---	DRAWN BY TEF	DATE 2007/09/18	TITLE POWER CONNECTOR EWR-3434 M-M			
		ANGULAR ± 2 °				APPROVED BY JDW	DATE 2007/09/18	MOLEX INCORPORATED			
		DRAFT WHERE APPLICABLE MUST REMAIN WITHIN DIMENSIONS				MATERIAL NO. 734156580	DOCUMENT NO. SD-73415-658	SHEET NO. 1 OF 1			

THIS DRAWING CONTAINS INFORMATION THAT IS PROPRIETARY TO MOLEX INCORPORATED AND SHOULD NOT BE USED WITHOUT WRITTEN PERMISSION