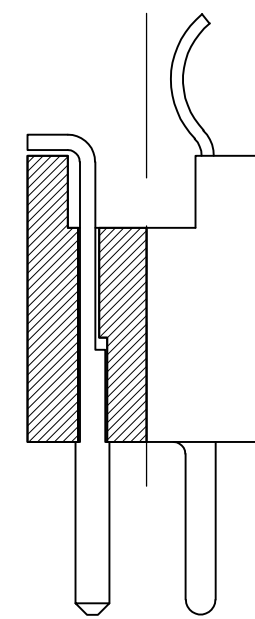
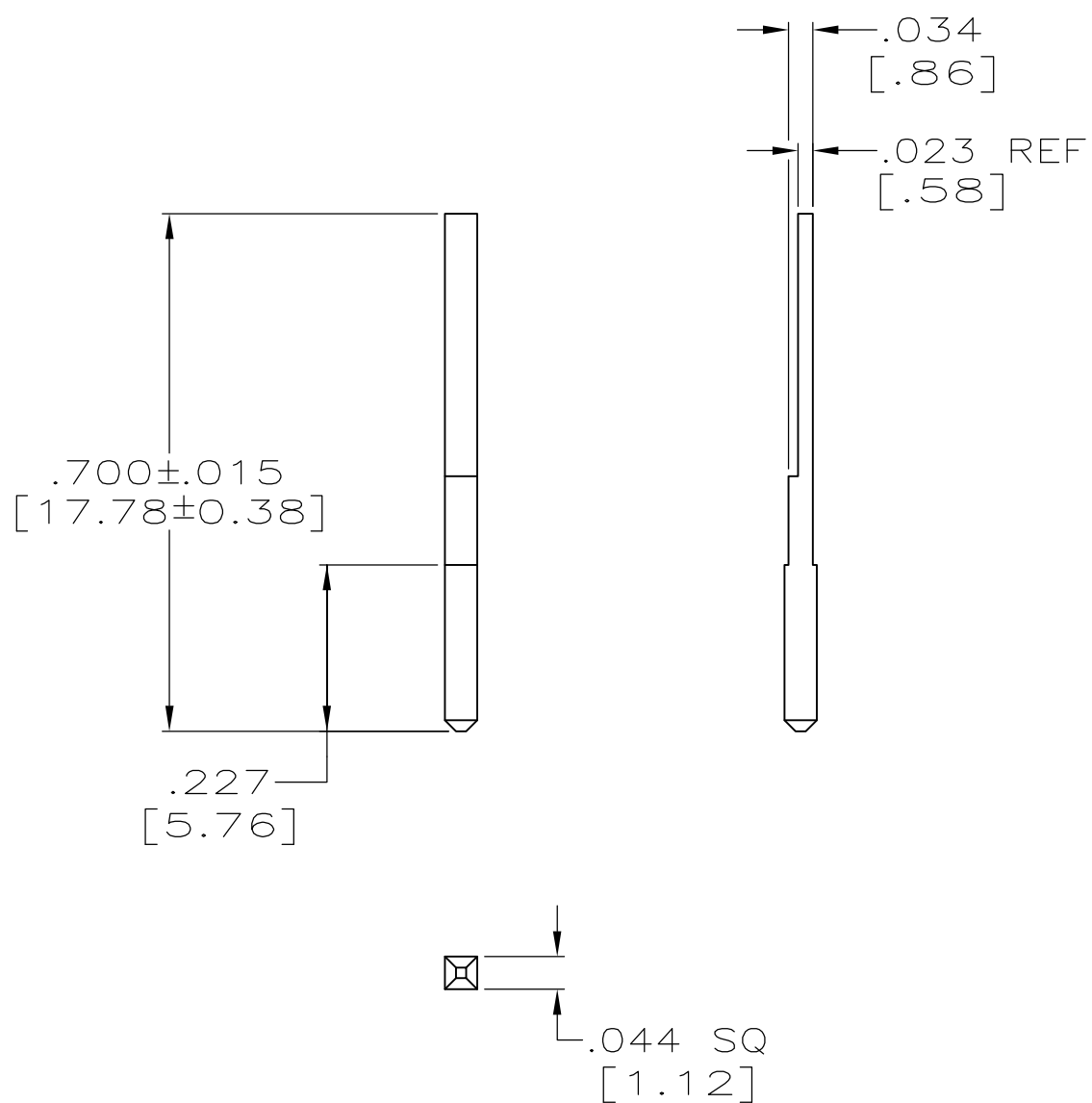


THIS DRAWING IS UNPUBLISHED. RELEASED FOR PUBLICATION  
 © COPYRIGHT BY TYCO ELECTRONICS CORPORATION. ALL INTERNATIONAL RIGHTS RESERVED.

| LOC | DIST | REVISIONS                 |         |     |      |
|-----|------|---------------------------|---------|-----|------|
| P   | LTR  | DESCRIPTION               | DATE    | DWN | APVD |
|     | B    | REVISED PER ECO-10-015533 | 09AUG10 | PY  | DM   |

APPLICATION INFORMATION:

1. REMOVE PIN AND RECEPTACLE CONTACTS IN DESIRED KEYING POSITIONS.
2. INSERT KEYING PIN IN PIN HEADER, SECURE BY BENDING OVER OUTSIDE EDGE OF HOUSING AND TRIM EXCESS MATERIAL.



|                      |             |
|----------------------|-------------|
| M55302/31-03         | 530328-2    |
| MILITARY PART NUMBER | PART NUMBER |

|  |  |                                 |   |                        |
|--|--|---------------------------------|---|------------------------|
| THIS DRAWING IS A CONTROLLED DOCUMENT. |  | DWN<br>T. ALEXANDER<br>12-14-94 | Tyco Electronics Corporation<br>Harrisburg, PA 17105-3608 |                        |
| DIMENSIONS:<br>mm                      | TOLERANCES UNLESS OTHERWISE SPECIFIED:   | CHK<br>D. MILLER<br>12-22-94    | NAME<br>SOLID KEYING PIN FOR BOX CONNECTORS               |                        |
|  | 0 PLC ± -<br>1 PLC ± -<br>2 PLC ± -<br>3 PLC ± .005 [.13]<br>4 PLC ± -<br>ANGLES ± - | APVD<br>B. FOLEY<br>12-22-94    | PRODUCT SPEC<br>-   |                        |
| MATERIAL<br>BRASS                      | FINISH<br>NICKEL PLATED  | APPLICATION SPEC<br>-           | SIZE<br>A3  | RESTRICTED TO<br>-     |
|  |  | WEIGHT<br>-                     | CAGE CODE<br>00779  | DRAWING NO<br>C-530328 |
|  |  | CUSTOMER DRAWING                |   | SCALE<br>4:1           |
|  |  | SHEET<br>1 OF 1                 |   | REV<br>B               |