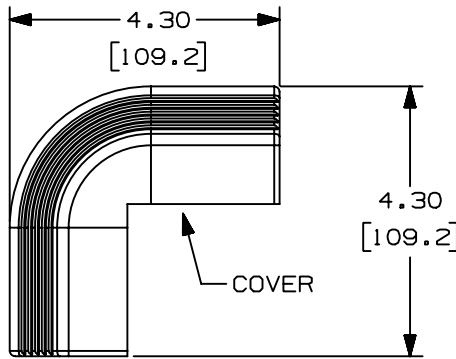
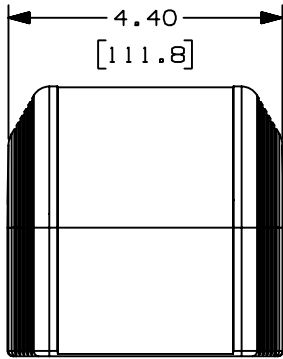


THIS COPY IS PROVIDED ON A RESTRICTED BASIS AND IS NOT TO BE USED IN ANY WAY DETRIMENTAL TO THE INTERESTS OF PANDUIT CORP.

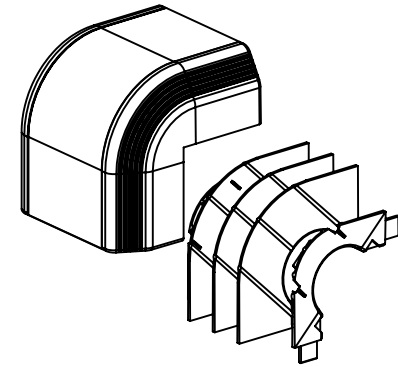
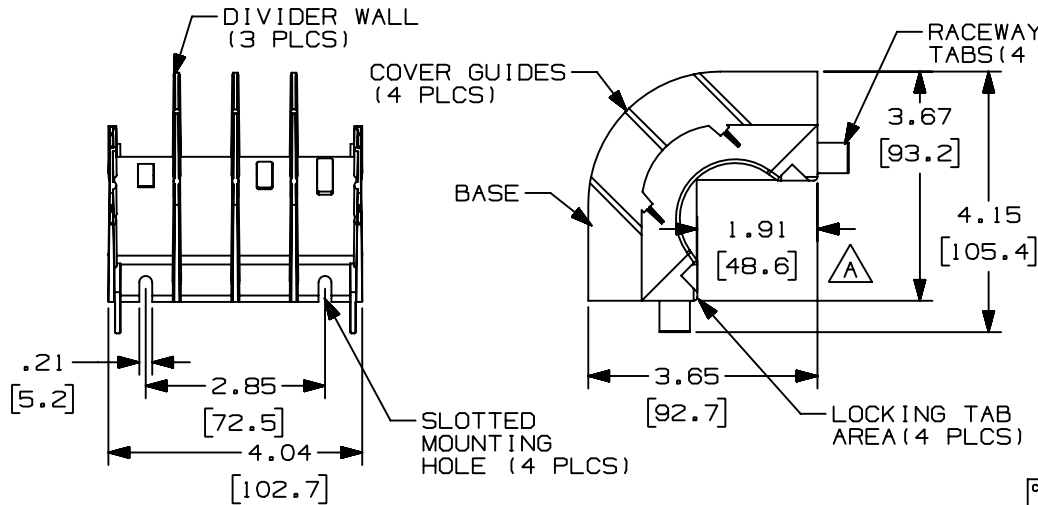


PANDUIT PART NO.	WEIGHT
T700C	4.5 LB/10 PCS (2044 g/10 PCS)



NOTES:

1. SEE CURRENT CATALOG FOR VARIOUS APPLICATIONS WITH THIS WIRING SYSTEM.
2. THIS PRODUCT IS INTENDED TO BE USED WITH PANDUIT TYPE T-70 RACEWAY.
3. NOMINAL WALL THICKNESS FOR BASE AND COVER IS .118 (3.0).
4. DIMENSIONS IN PARENTHESES ARE IN METRIC.



CAD FILENAME/LAYERS D35541CC\_T700C\_C\_02.PRT

PANDUIT CORP. TINLEY PARK, ILLINOIS

T-70 OUTSIDE CORNER (T700C)  
CUSTOMER DRAWING

UNLESS OTHERWISE SPECIFIED,  
DIMENSIONAL TOLERANCES ARE:  
(.X) ± (.XXX) ± .010(.3)  
(.XX) ± .03(.8) ANGLES ±

UNLESS OTHERWISE SPECIFIED,  
ALL DIMENSIONS ARE GIVEN  
IN INCHES, THIRD ANGLE PROJECTION.

2	06-17-99	DW	HIW	D. DWG WAS FROM TWO SHEETS; E. REV'D WEIGHT B. REV'D TITLE NAME; C. MAT'L WAS ABS/PC	35541-29	HIW	HIW			
1	04-11-97	JBA	CEF	A. ADDED DIMENSION 1.91 (48.6)	35541-29	CEF	CEF			
R	09-18-96	DW	CEF	RELEASED TO PRODUCTION	35541-29	CEF				
REV	DATE	BY	CHK	DESCRIPTION	ECN	CHK	CUST	SUP		

DRAWN BY DW	MAT'L: PVC
DATE 09-18-96	
CHECKED BY CEF	

SCALE NONE	DWG NO.
	35541-29
	A SIZE