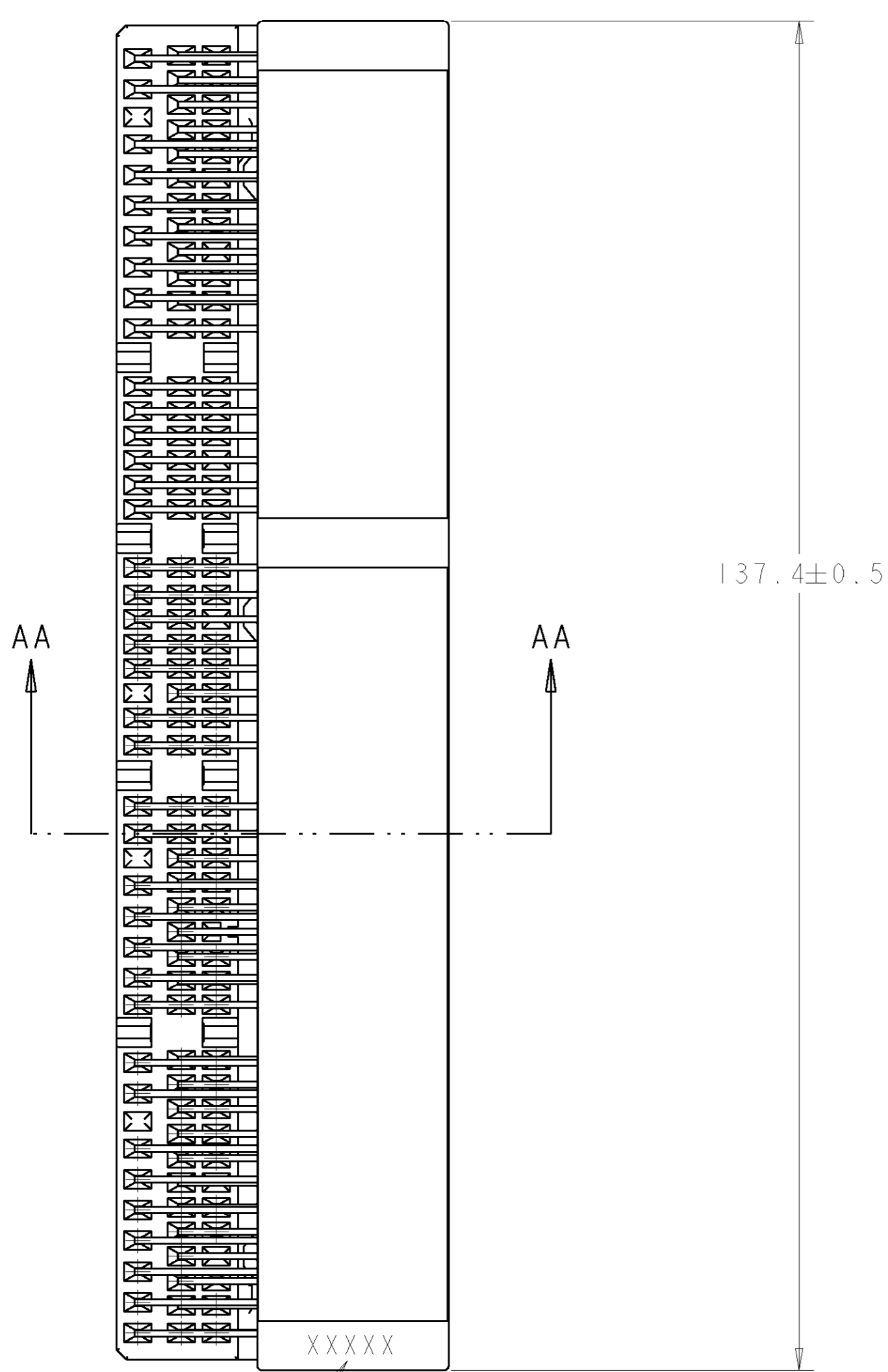
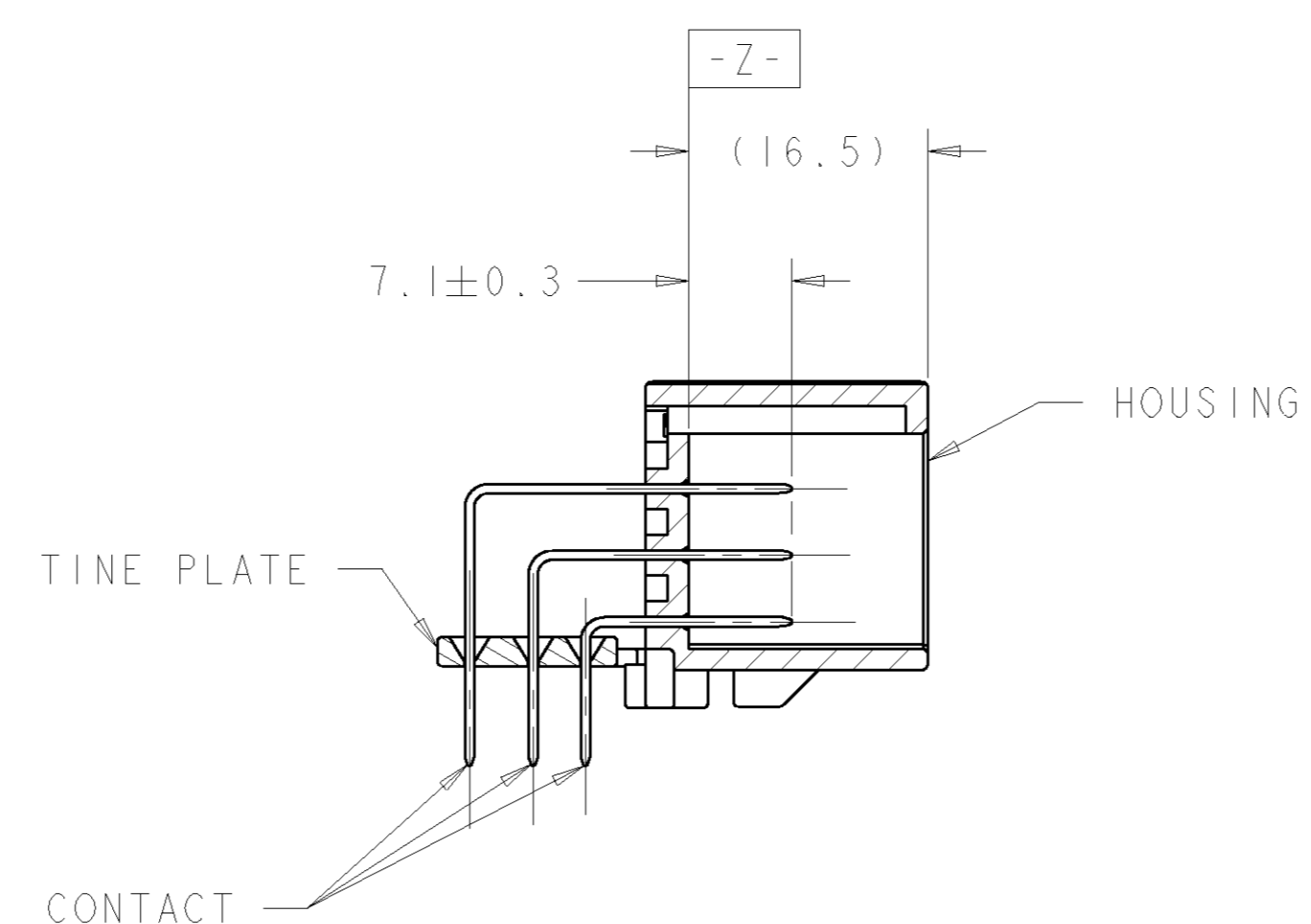
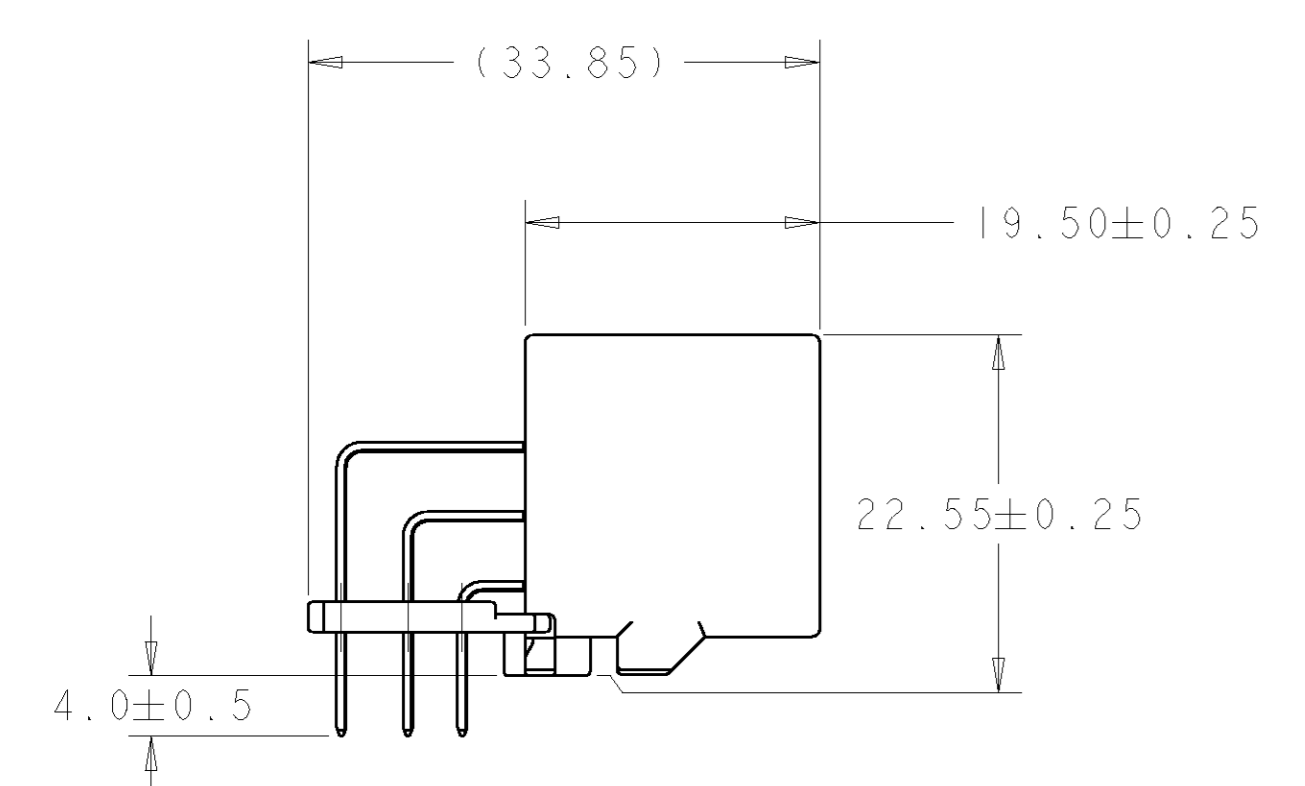
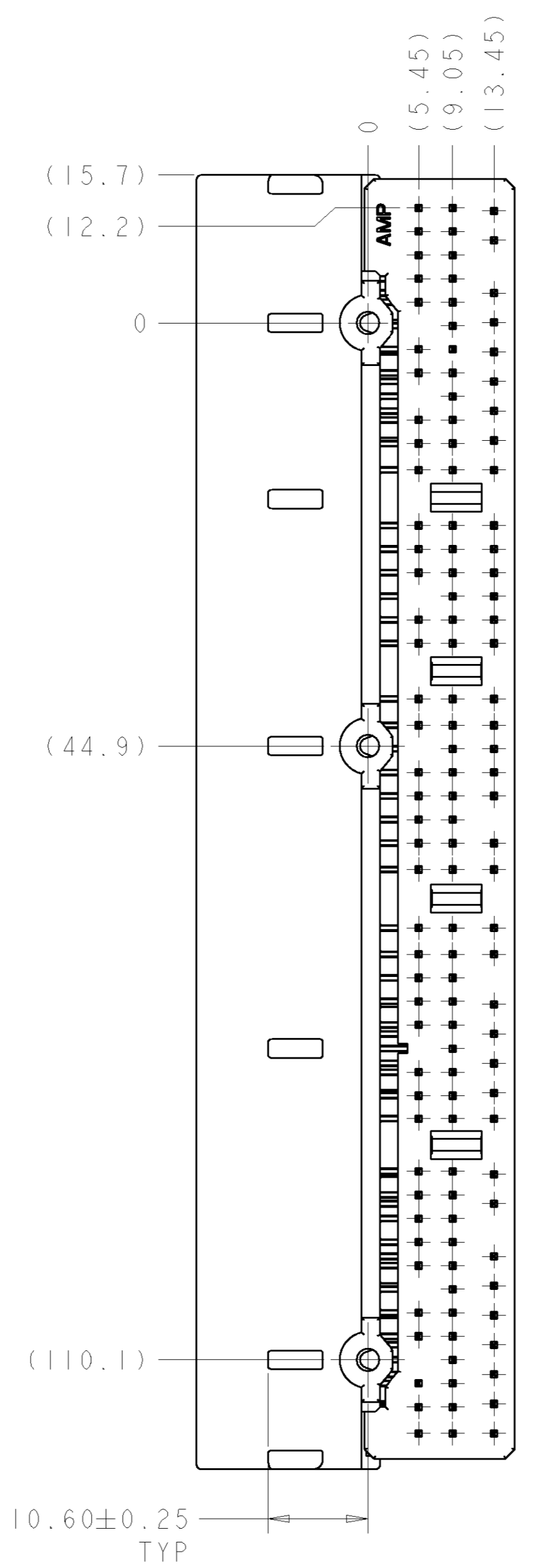
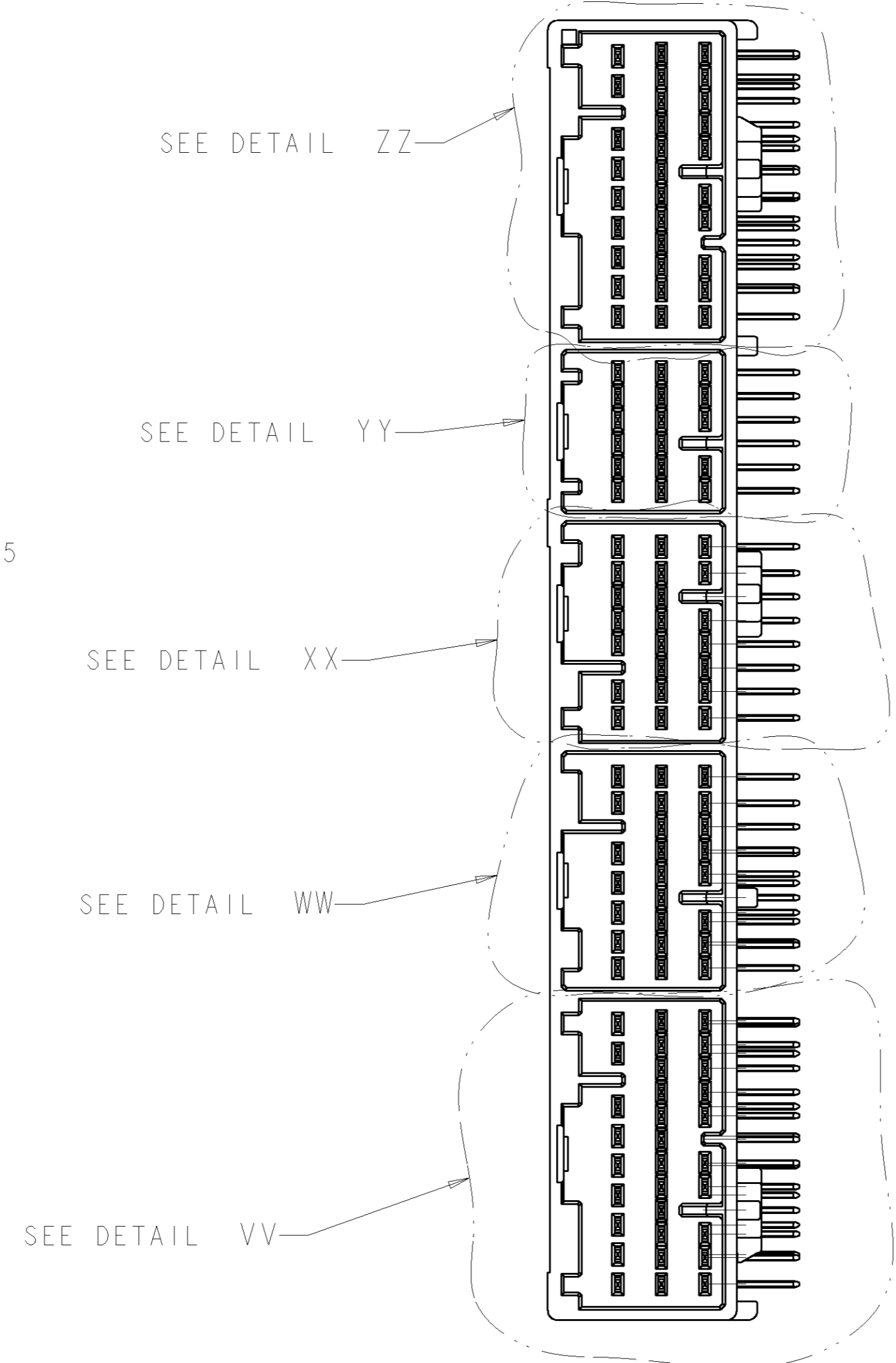


LOC		DIST		REVISIONS			
F	LTR	DESCRIPTION	DATE	DWN	APPD		
A		0K80-0121-02	13MAY2002	RGV	GEM		



137.4±0.5

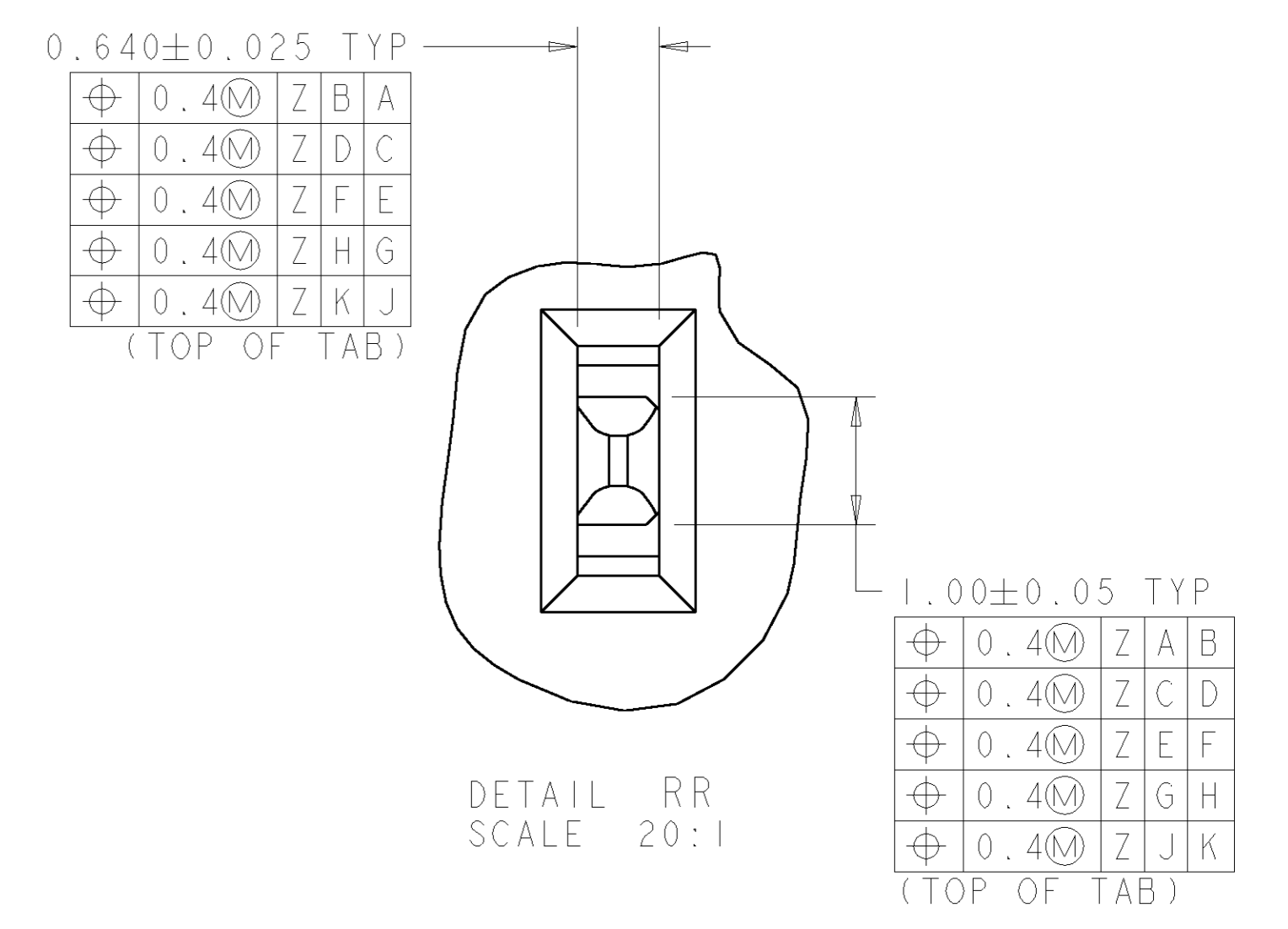
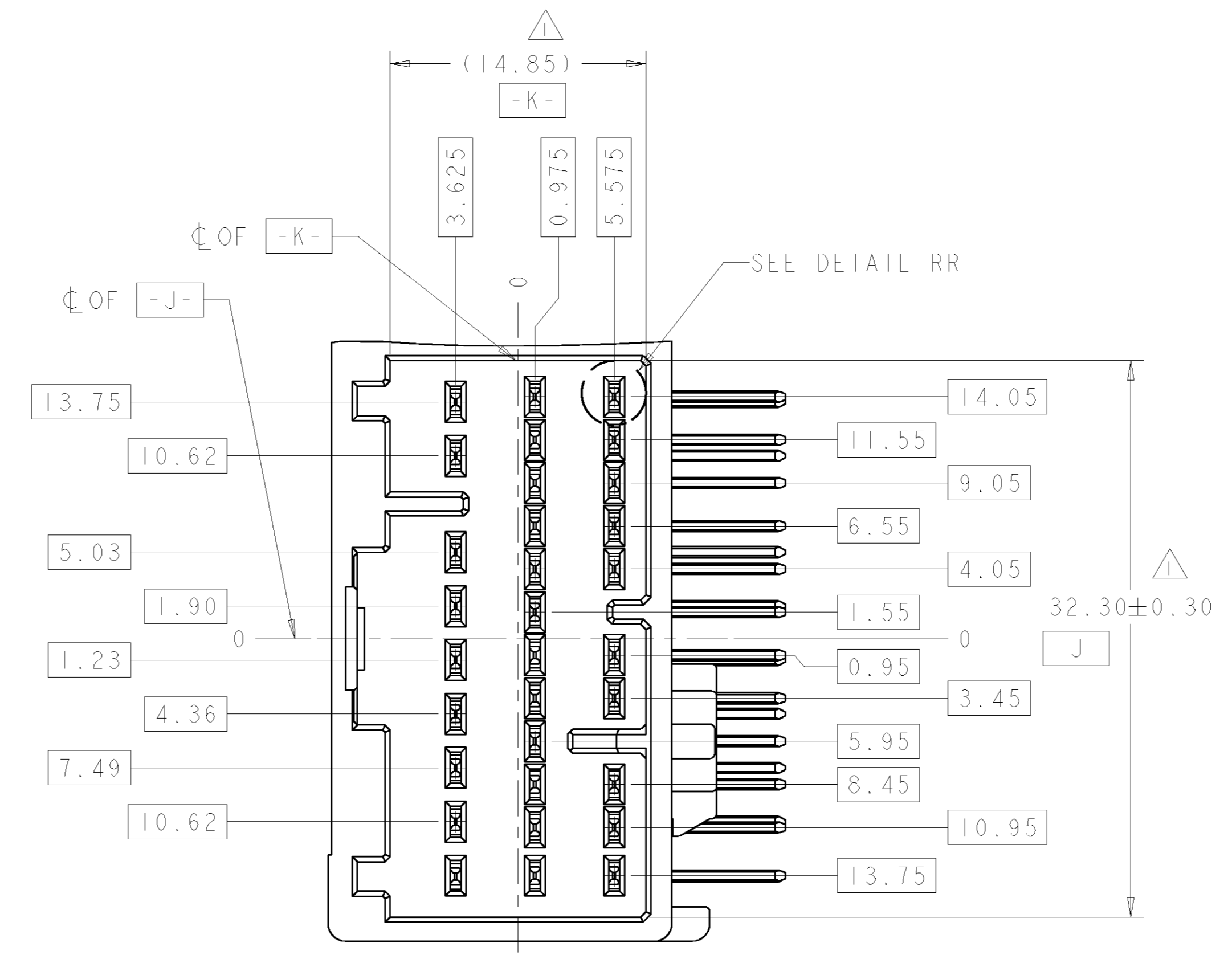
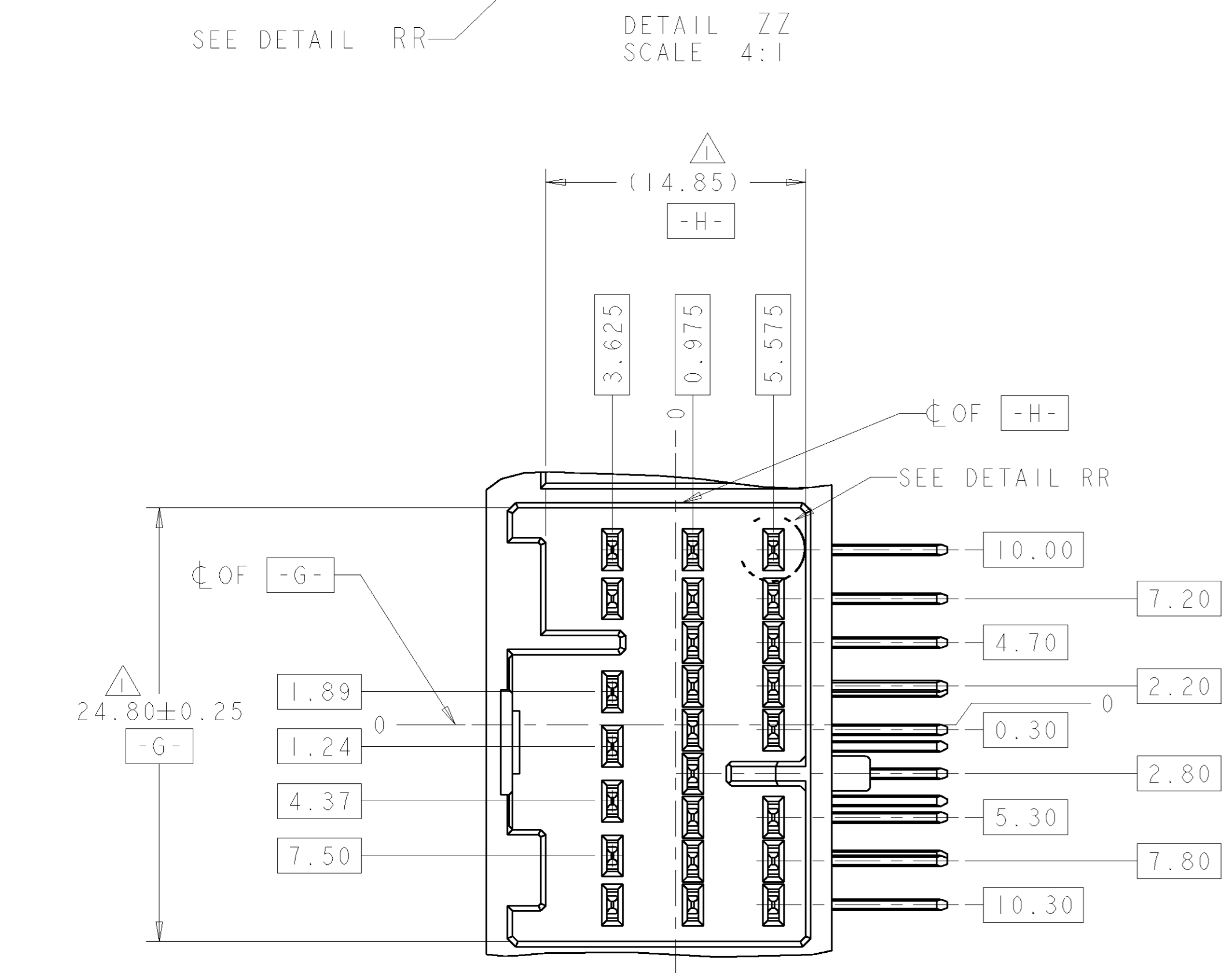
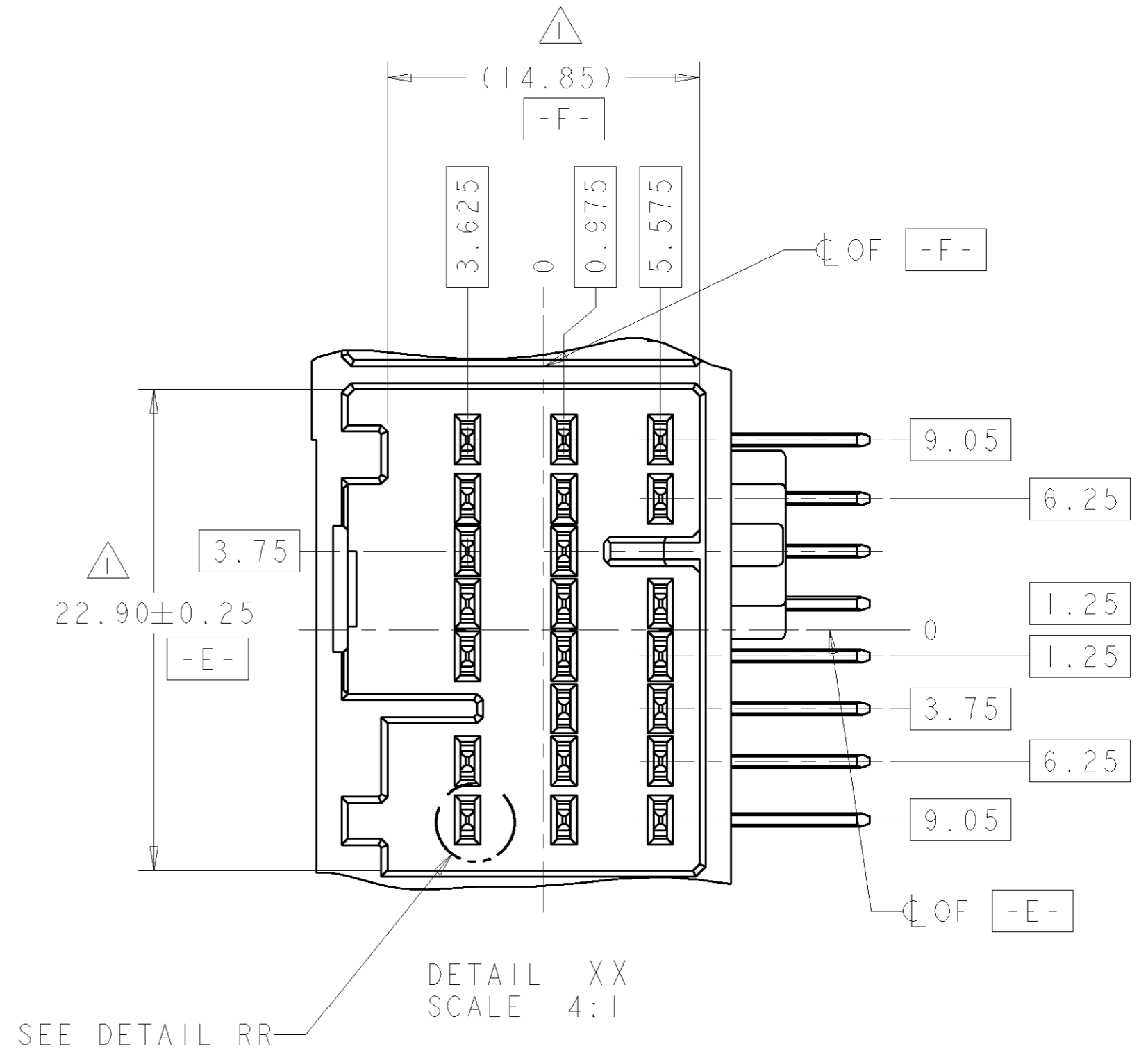
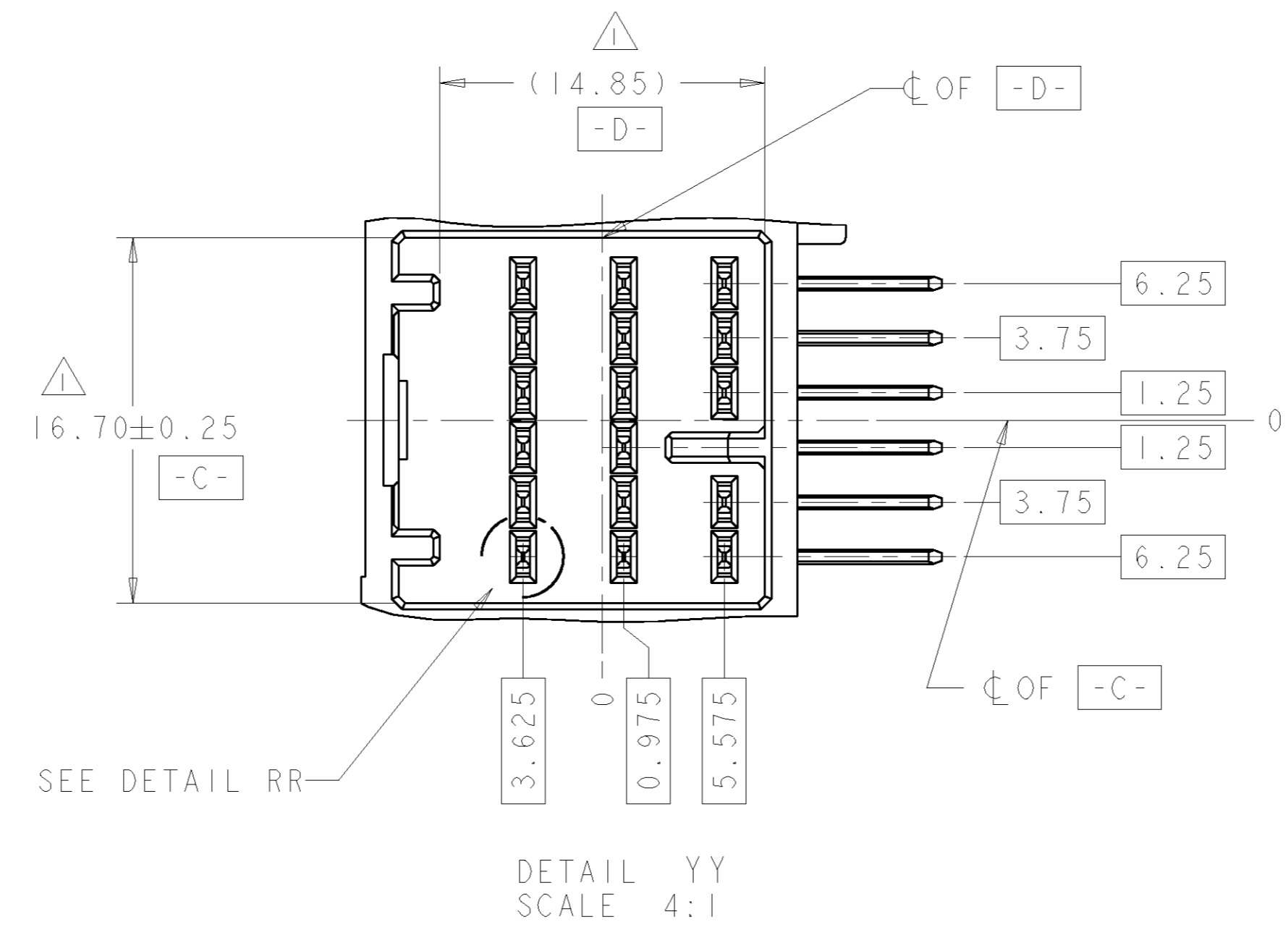
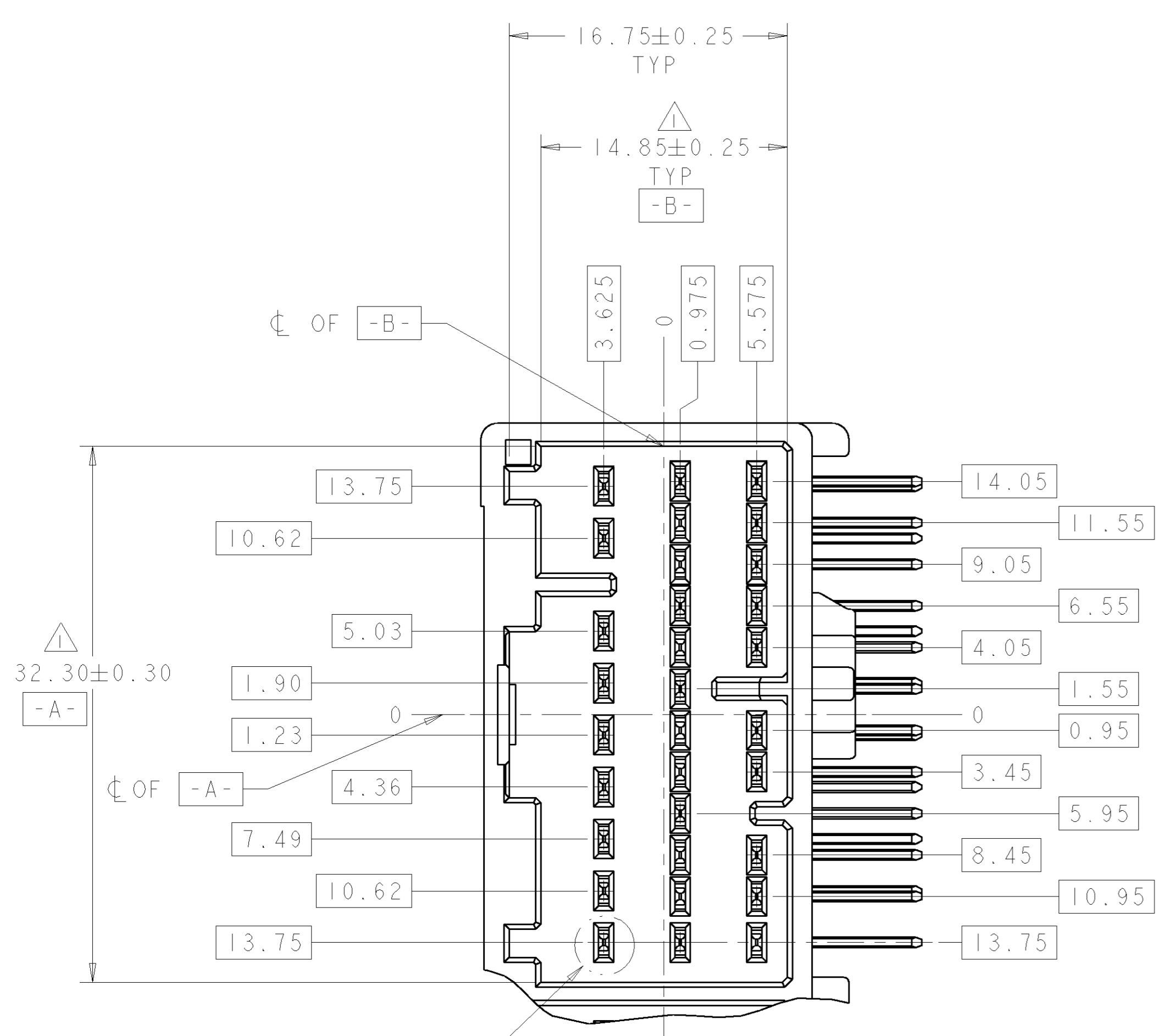


SECTION AA-AA
SCALE 2:1

- △ TO BE MEASURED AT 7.5mm FROM **-Z-**
- 2. POWER CIRCUITS 35 PLACES, SEE FIG. 1
- 3. FOR CIRCUIT NUMBERS SEE FIG. 1
- △ DATE CODE
- 5. TO BE MATED SMOOTHLY WITH PLUG HOUSINGS
 - 17 POS: 353027
 - 22 POS: 353028
 - 24 POS: 353029
 - 31 POS: 1318682, 353826
- 6. RECOMMENDED SCREW: PAN-HEADED, TYPE 2 TAPPING SCREW, 3.0 DIA X 6.0 LONG MAX. PER JIS B1115, B1122
- 7. FASTENING TORQUE FOR SCREW 0.392Nm MAX
- △ TO BE DETERMINED BY CUSTOMER

PBT	NATURAL	COPPER ALLOY	PRE-TIN	PBT	NATURAL	1438361-1
MATERIAL	FINISH	MATERIAL	FINISH	MATERIAL	COLOR	PART NO
TINE PLATE			CONTACT			HOUSING
DIMENSIONS:		TOLERANCES UNLESS OTHERWISE SPECIFIED:		DWN		tyco Tyco Electronics Harrisburg, PA 17105-3608
mm		0 PLC ±0.30 1 PLC ±0.30 2 PLC ±0.30 3 PLC ±0.30 4 PLC ±0.30 ANGLES ±°		13MAY2002 R. VESTAL 13MAY2002 G. MILLER 13MAY2002 G. MILLER 13MAY2002		
MATERIAL		FINISH		WEIGHT		RESTRICTED TO
SEE TABLE		SEE TABLE		42.2g		NAME ASSEMBLY, 125 POSITION, HD111 SIZE CAGE CODE DRAWING NO A 00779 C=1438361 SCALE 2:1 SHEET 1 OF 3 REV A
CUSTOMER DRAWING						

REVISONS		DATE	BY	APPD
FX	00			
DESCRIPTION				
SEE SHEET 1				



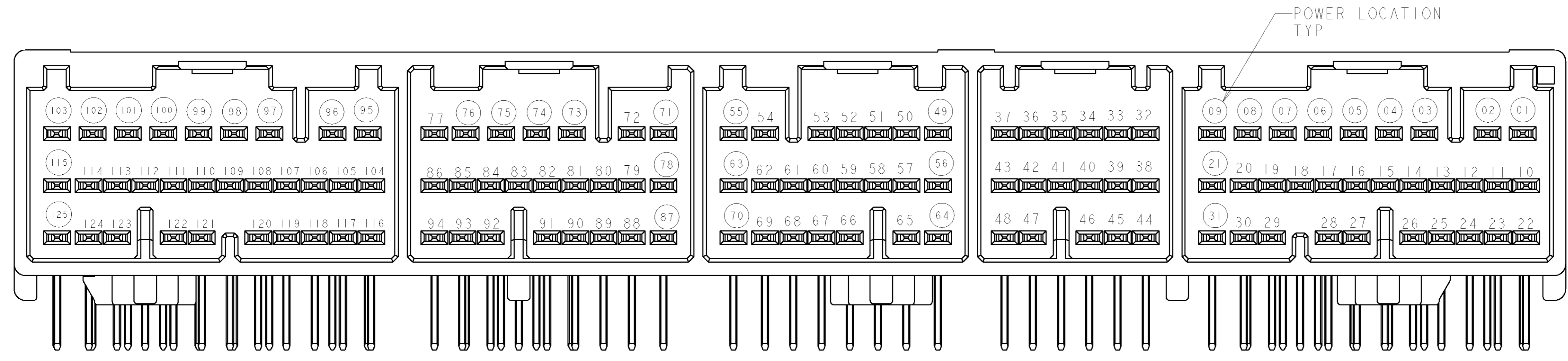
DETAIL WW SCALE 4:1

DETAIL VV SCALE 4:1

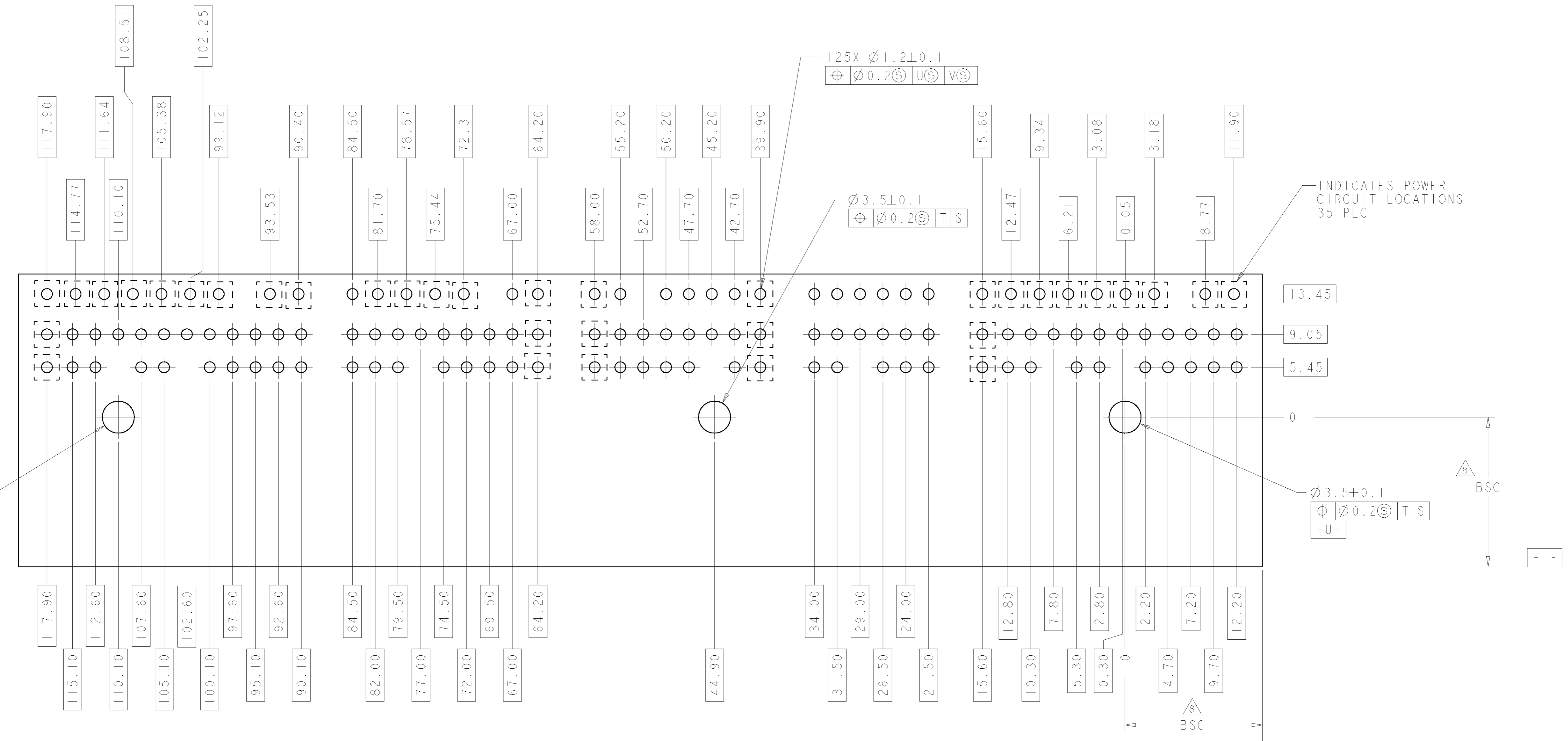
DETAIL RR SCALE 20:1

DIMENSIONS:		TOLERANCES UNLESS OTHERWISE SPECIFIED:		DWN: VESTAL 13MAY2002		tyco Tyco Electronics	
mm		9 PLC ±0.30		CHK: G. MILLER 13MAY2002		Harrisburg, PA 17105-3608	
Ø		1 PLC ±0.30		APPD: G. MILLER 13MAY2002		NAME: ASSEMBLY, 125 POSITION, HD111	
H		3 PLC ±0.30		PRODUCT SPEC:		SIZE: CAGE CODE: DRAWING NO:	
L		4 PLC ±0.30		APPLICATION SPEC:		RESTRICTED TO:	
R		ANGLES ±°		WEIGHT:		A 00779 C=1438361	
FINISH:		FINISH: ±"		CUSTOMER DRAWING:		SCALE: 2:1 SHEET: 2 OF 3 REV: A	

REVISONS		DATE	DWN	APVD
FX	00			
DESCRIPTION				
SEE SHEET 1				



SCALE 4:1



PC BOARD LAYOUT
 RECOMMENDED THICKNESS: 1.57 MM
 COMPONENT SIDE SHOWN

DIMENSIONS: mm 		TOLERANCES UNLESS OTHERWISE SPECIFIED: 9 PLG ±0.30 1 PLG ±0.30 2 PLG ±0.30 3 PLG ±0.30 4 PLG ±0.30 ANGLES ±° FINISH ±1*		DWN: VESTAL 13MAY2002 CHK: G. MILLER 13MAY2002 APVD: G. MILLER 13MAY2002		tyco Electronics Tyco Electronics Harrisburg, PA 17105-3608	
MATERIAL: -		FINISH: -		NAME: ASSEMBLY, 125 POSITION, HD111 PRODUCT SPEC: - APPLICATION SPEC: -		SIZE: A1 CAGE CODE: 00779 DRAWING NO: C=1438361 RESTRICTED TO: -	
CUSTOMER DRAWING		WEIGHT: -		SCALE: 2:1		SHEET 3 OF 3 REV A	