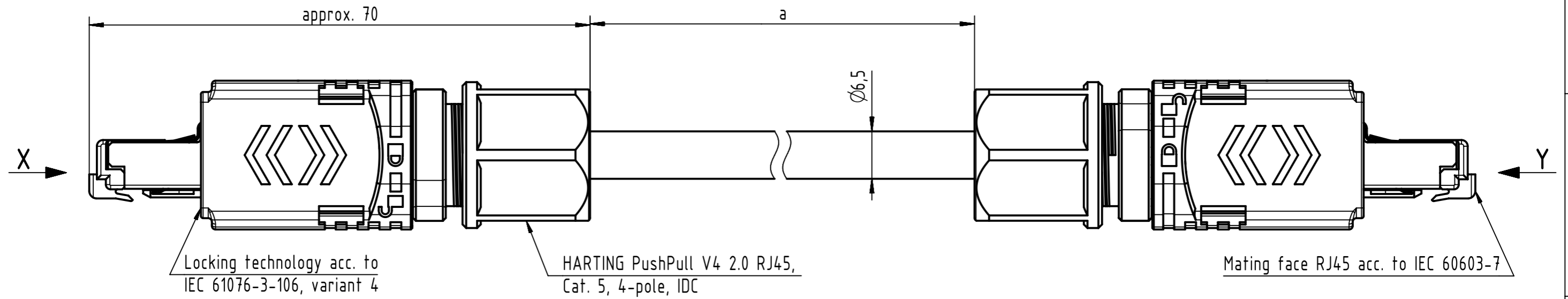


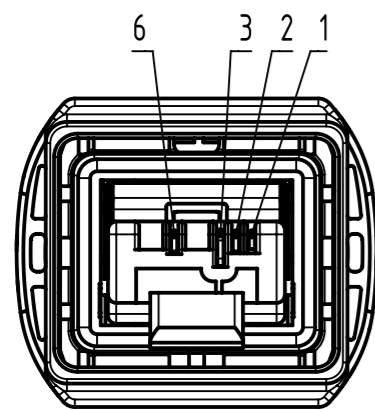
Connector Location A

Connector Location B

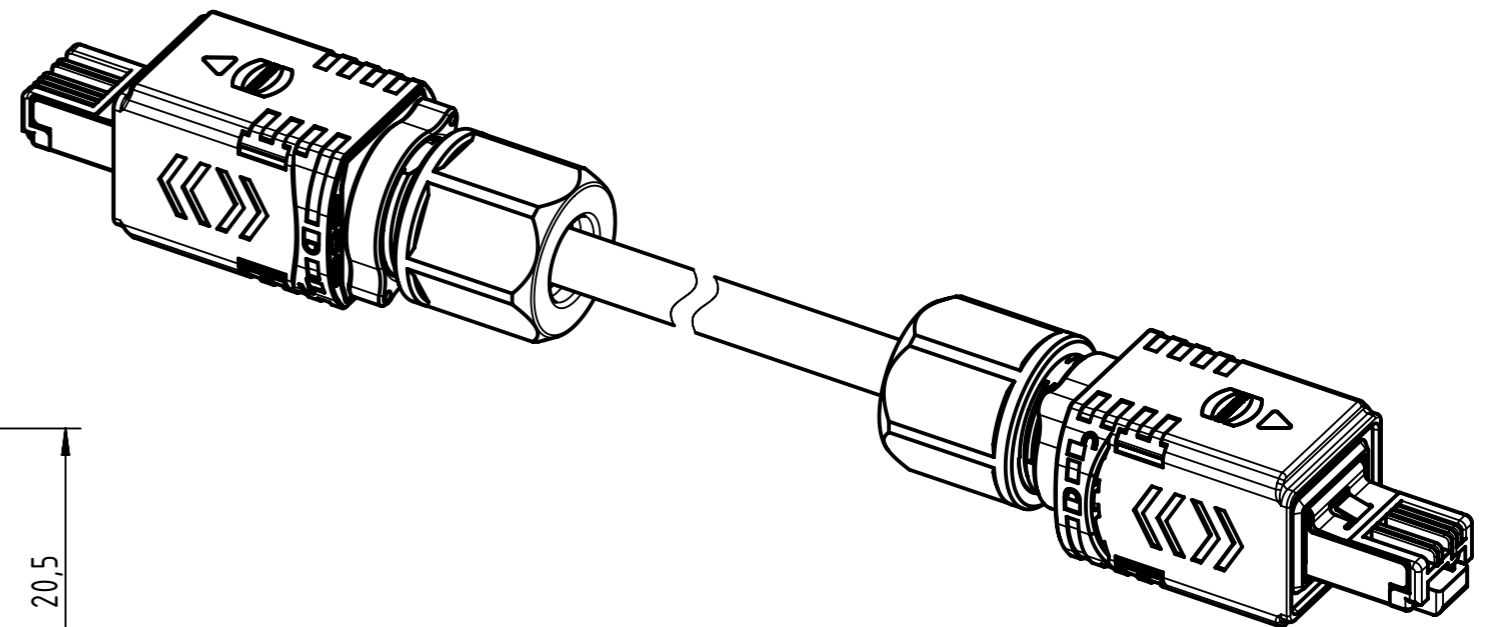
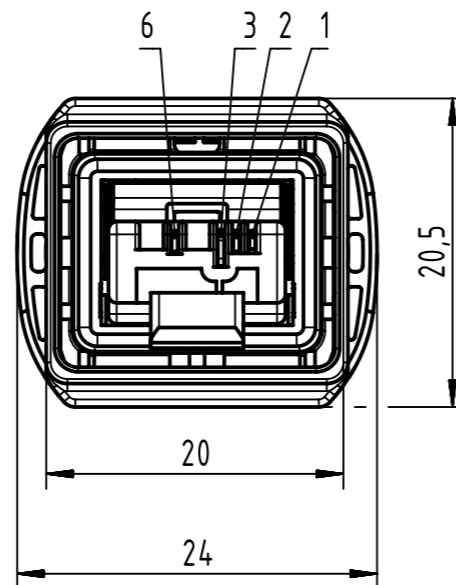
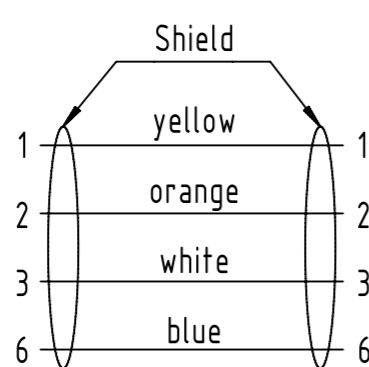


X male

Y male



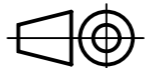
Loading Plan



- Protection level: IP65/67
 - Temperature range: -40°C ... +70°C

	All Dimensions in mm	Tech. Character.		Free size tol.		According to production drawing	
	All rights reserved Department HCS - RO	Created by BANCIUD Banciu	Inspected by COSTEA Costea	Standardisation MUNTEANV Muntean	Date 2019-08-08	State Final Release	
HARTING Customised Solutions D-32339 Espelkamp		Title HARTING PushPull RJ45 Cable Assembly				Doc-Key / ECM-Nr. 100155480/UGD/008/E 500000156257	
		Type TB	Number 09473636XXX			Rev. E	Page 1/2

	1	2	3	4	5	6	7	8	
A									
B	49	09473636044	RJL Ethernet Stranded Cable, 4xAWG 22/7, PVC, Cat. 5+, green	100	93	09473636088	RJL Ethernet Stranded Cable, 4xAWG 22/7, PVC outdoor, Cat. 5+, black	100	
	48	09473636043		90	92	09473636087		90	
	47	09473636042		80	91	09473636086		80	
	46	09473636041		70	90	09473636085		70	
	45	09473636040		60	89	09473636084		60	
	44	09473636039		50	88	09473636083		50	
	43	09473636038		40	87	09473636082		40	
	42	09473636037		30	86	09473636081		30	
	41	09473636036		20	85	09473636080		20	
	40	09473636035		15	84	09473636079		15	
	39	09473636034		10	83	09473636078		10	
	38	09473636033		9	82	09473636077		9	
	37	09473636032		8	81	09473636076		8	
	36	09473636031		7	80	09473636075		7	
	35	09473636030		6	79	09473636074		6	
	34	09473636029		5	78	09473636073		5	
	33	09473636028		4	77	09473636072		4	
	32	09473636027		3	76	09473636071		3	
	31	09473636026		2	75	09473636070		2	
	30	09473636025		1.5	74	09473636069		1.5	
	29	09473636024		1	73	09473636068		1	
	28	09473636023		0.5	72	09473636067		0.5	
	27	09473636022		100	71	09473636066		100	
	26	09473636021		90	70	09473636065		90	
	25	09473636093		85	69	09473636064		80	
	24	09473636020		80	68	09473636063		70	
	23	09473636019		70	67	09473636062		60	
	22	09473636092		65	66	09473636061		50	
	21	09473636018		60	65	09473636060		40	
	20	09473636091		55	64	09473636059		30	
	19	09473636017		50	63	09473636058		20	
	18	09473636016		40	62	09473636057		15	
	17	09473636090		35	61	09473636056		10	
	16	09473636015		30	60	09473636055		9	
	15	09473636089		25	59	09473636054		8	
	14	09473636014		20	58	09473636053		7	
	13	09473636013		15	57	09473636052		6	
	12	09473636012		10	56	09473636051		5	
	11	09473636011		9	55	09473636050		4	
	10	09473636010		8	54	09473636049		3	
	9	09473636009		7	53	09473636048		2	
	8	09473636008		6	52	09473636047		1.5	
	7	09473636007		5	51	09473636046		1	
	6	09473636006		4	50	09473636045		0.5	
	5	09473636005		3	Cont. no.	Part no.		Type of cable	Dim. a[m]
	4	09473636004		2	RJL Ethernet Standard Cable, 4xAWG 22/1, PVC, Cat. 5+, green				
	3	09473636003		1.5	RJL Ethernet Trailing Cable, 4xAWG 22/7, PUR, Cat. 5+, green				
	2	09473636002		1	RJL Ethernet Standard Cable, 4xAWG 22/1, PVC, Cat. 5+, green				
	1	09473636001		0.5	RJL Ethernet Standard Cable, 4xAWG 22/1, PVC, Cat. 5+, green				
F	Cont. no.	Part no.	Type of cable	Dim. a[m]					



All Dimensions in mm

Tech. Character.

Free size tol.

According to production drawing

All rights reserved

Created by BANIUD Banciu

Inspected by COSTEA Costea

Standardisation MUNTEANV Muntean

Date 2019-08-08

State Final Release

Department HCS - RO

Title HARTING PushPull RJ45 Cable Assembly

Doc-Key / ECM-Nr. 100155480/UGD/008/E 500000156257

HARTING Customised Solutions

D-32339 Espelkamp

Type TB

Number 09473636XXX

Rev. E

Page 2/2