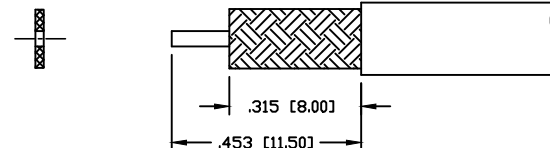
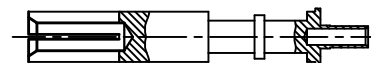
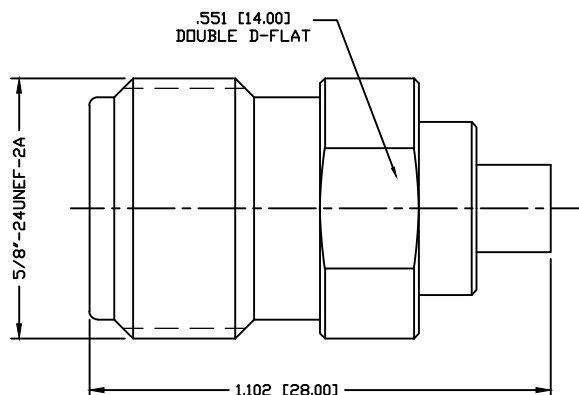


PART NO.

RFN-1027-SR2

REV	DESCRIPTION	DWN	DATE	APPROVED
-	ENGINEERING RELEASE	CZS	03/12/15	JDMc

**SPECIFICATIONS:**

IMPEDANCE: 50 Ohms
 FREQUENCY RANGE: 0-6 GHz
 VSWR: <1.1.5:1 THRU 3GHz
 PIM: <-155 dBc
 DIELECTRIC WITHSTANDING VOLTAGE: 750V/AC
 INSULATION RESISTANCE: 5000M Ohms
 TEMPERATURE RANGE: -40°C TO 155°C
 MECHANICAL DURABILITY: 500 CYCLES
 FOR .141 SEMI RIGID, RG-402/U & BELDEN 1673A CABLE

CUSTOMER
OUTLINE DRAWINGALL DIMENSIONS
ARE REFERENCE ONLYUNLESS OTHERWISE SPECIFIED:
DIMENSIONS ARE IN INCHES
AND [MILLIMETERS]

DRAWN	C. ZUNIGA	03/12/15
CHECKED		
ORJ DRAWN	C. ZUNIGA	03/12/15

PROPRIETARY AND CONFIDENTIAL
 THIS DRAWING CONTAINS
 INFORMATION PROPRIETARY TO
 RF INDUSTRIES. ANY
 UNAUTHORIZED USE OF THIS
 DRAWING IS EXPRESSLY
 PROHIBITED WITHOUT WRITTEN
 PERMISSION FROM RF
 INDUSTRIES. ANY VIOLATION IS
 PUNISHABLE UNDER U.S.
 COPYRIGHT LAWS.

RFconnectors
 DIVISION OF RF INDUSTRIES, LTD.

7610 MIRAMAR RD.
 SAN DIEGO, CA 92126
 (858) 549-6340
 (858) 549-6345 FAX

N FEMALE

DIRECT SOLDER

SIZE	CABLE GROUP	DWG NO.	REV
A	SR2	RFN-1027-SR2	—
SCALE:	ENGINEERING ID:	000000	SHEET 1 OF 1
NTS			

#	DESCRIPTION	QTY	MATERIAL	FINISH
4	SPACER	1	PE	---
3	CONTACT	1	BeCu	SILVER
2	INSULATOR	1	PTFE	---
1	BODY	1	BRASS	WHITE BRONZE