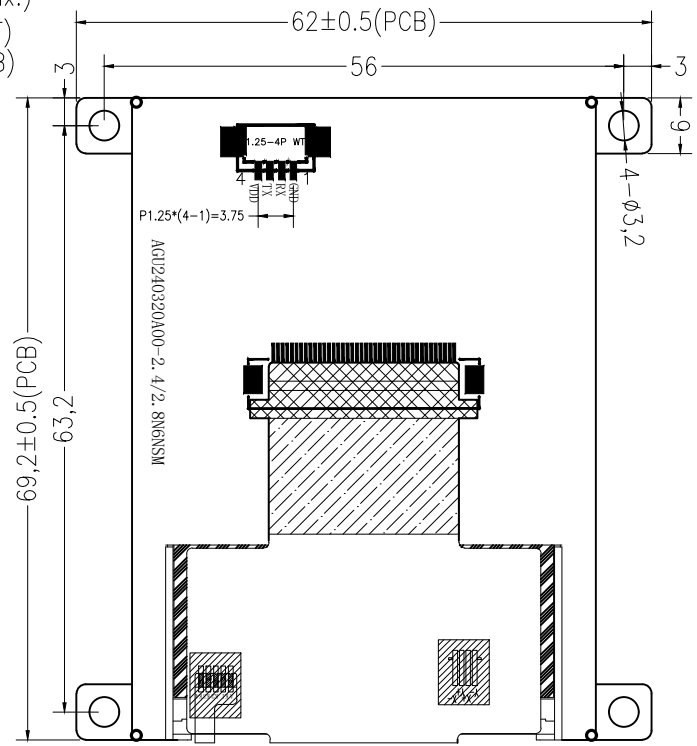
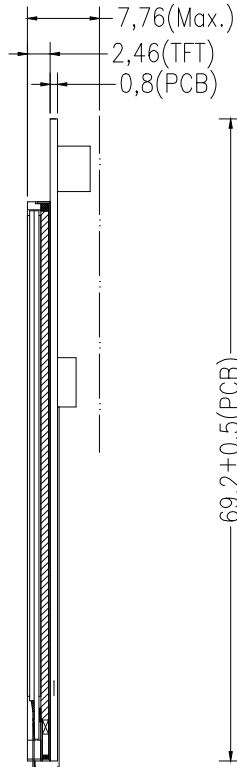
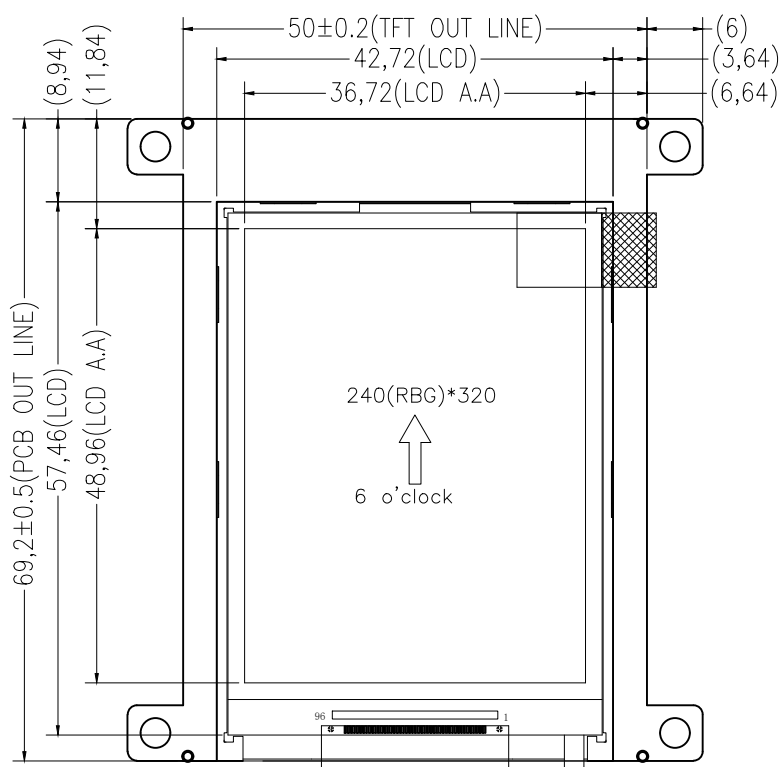
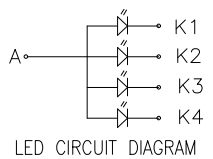


1	2	3	4	5	6			
THIS DRAWING IS PROPERTY OF ORIENT DISPLAY. ALL RIGHTS RESERVED.	ITEM	PARAMETERS	ITEM	PARAMETERS	ITEM	PARAMETERS	ITEM	PARAMETERS
	DISPLAY TYPE	TN TRANSMISSIVE, POSITIVE	VIEWING DIRECTION	6 O'CLOCK	LCD OPERATING VOLTAGE	3.3V	IC	IL19341V+32Mb flash
	RESOLUTION (H*V)	2.4" 240*320 PIXELS	OPERATION TEMPERATURE	-20°C TO +70°C	LOGIC VOLTAGE	3.3V	BACKLIGHT	4-CHIP WHITE LED
	POLARIZER TYPE	TRANSMISSIVE	STORAGE TEMPERATURE	-30°C TO +80°C	GREYSCALE SUPPORT	/	CONNECTOR	ZIF



PIN DEFINE

PIN NO.	SYMBOL
1	GND
2	RX
3	TX
4	VDD



REV.	DESCRIPTION	DATE	SCALE	FIT	UNIT	mm	3rd ANGLE	SHEET	1 of 1
V1	增加RTP	2022-2-19							
V0	FIRST ISSUE	2021-12-24							
REV.	DESCRIPTION	DATE	UNMARKED TOLERANCE			±0.3	CUSTOMER'S APPROVAL		

TITLE	LCM	PART NO.	AGU240320A00-2.4N6NSM						
REV.	V1	CUSTOMER NO.	AGU240320A00-2.4N6NSM						