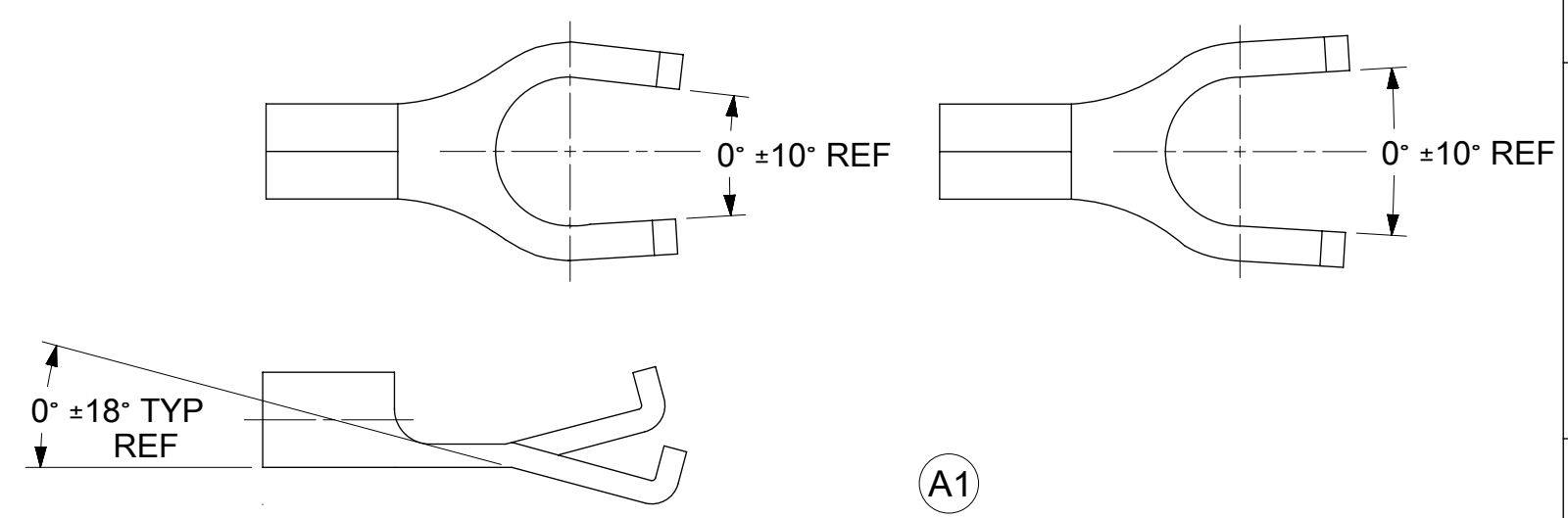
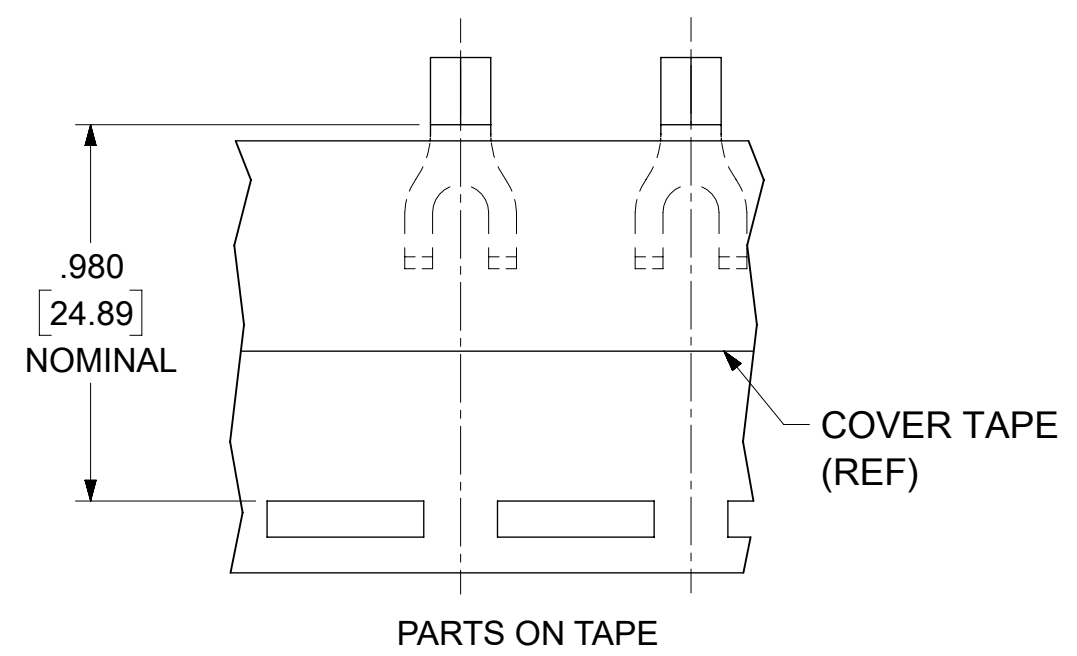
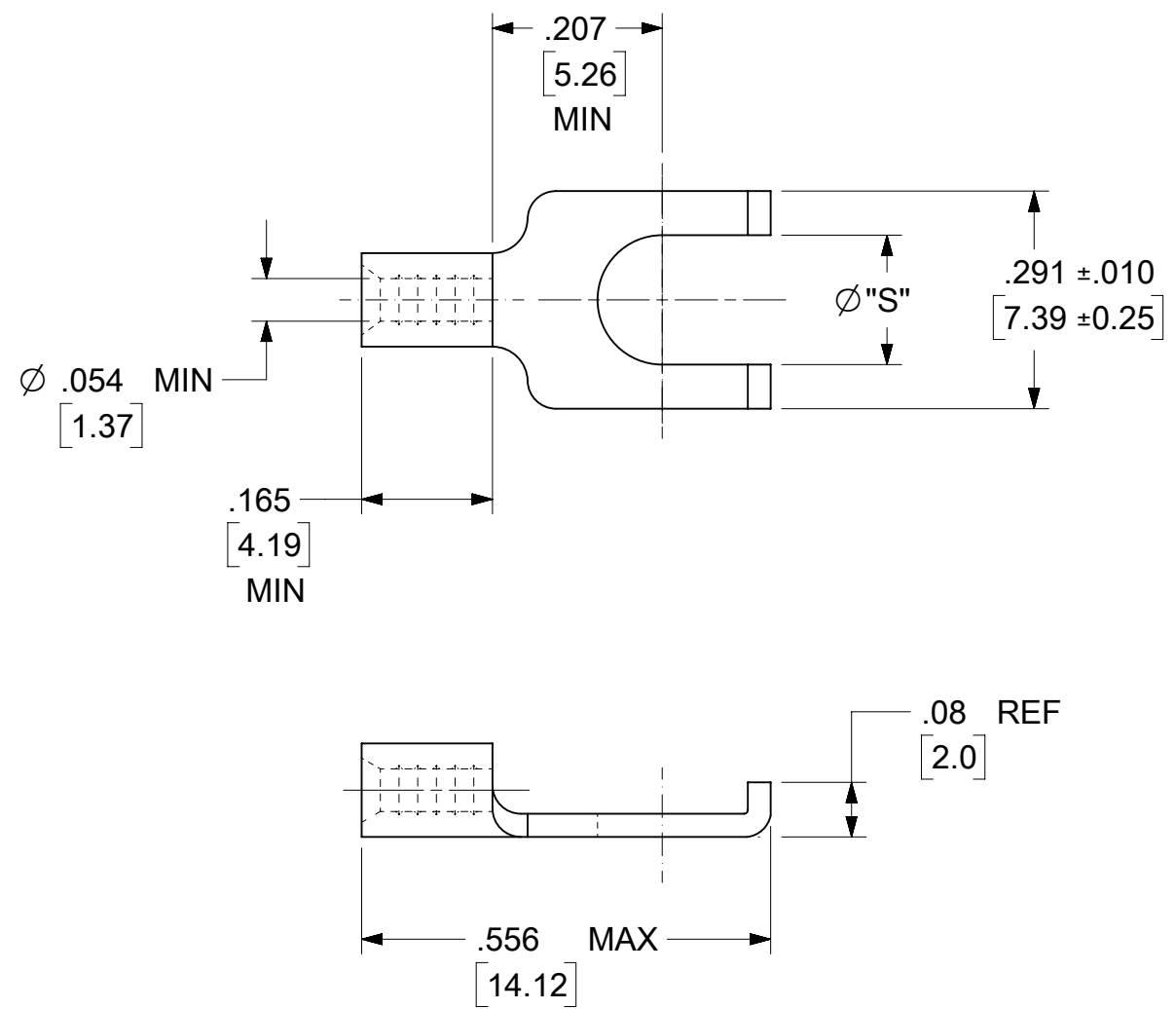


MAT'L NO.	ENG NO.	MAT'L NO. (TAPED)	ENG NO. (TAPED)	STUD SIZE	"S" ± .005 (0.13)
191180021	AA-115-06	191180022	AA-115-06T	6	.146(3.71)
191180023	AA-115-08	191180024	AA-115-08T	8	.173(4.39)
191180025	AA-115-10	----	----	10	.198(5.03)

(A1)



(A1)

NOTE(S):
 1. MATERIAL: COPPER .031(0.78) THICK, REF.
 2. PLATING: ELECTRO-TIN
 3. PART IS RoHS COMPLIANT

FUNCTIONAL SYMBOLS		THIS DRAWING CONTAINS INFORMATION THAT IS PROPRIETARY TO MOLEX ELECTRONIC TECHNOLOGIES, LLC AND SHOULD NOT BE USED WITHOUT WRITTEN PERMISSION		molex FLANGED SPADE TONGUE TERMINAL KRIMPTITE 100-SERIES	
DIMENSION UNITS: INCH/MM SCALE: 4:1 GENERAL TOLERANCES (UNLESS SPECIFIED): 4 PLACES ± [] [] 3 PLACES ± [] ± 0.005 2 PLACES ± 0.13 ± 0.01 1 PLACE ± 0.25 ± [] 0 PLACES ± [] ± [] ANGULAR TOL ± °		CURRENT REV DESC: ADD ALLOWABLE BENDING DETAIL VIEW W/ DIMS. EC NO: 708739 DRWN: DMYRICK 2022/05/26 CHKD: JMACNEIL 2022/06/01 APPR: JMACNEIL 2022/06/01			
DIVISIONAL SYMBOLS		DRAFT WHERE APPLICABLE MUST REMAIN WITHIN DIMENSIONS THIRD ANGLE PROJECTION DRAWING: B-SIZE SERIES: 19118 MATERIAL NUMBER: SEE CHART CUSTOMER: GENERAL MARKET SHEET NUMBER: 1 OF 1			