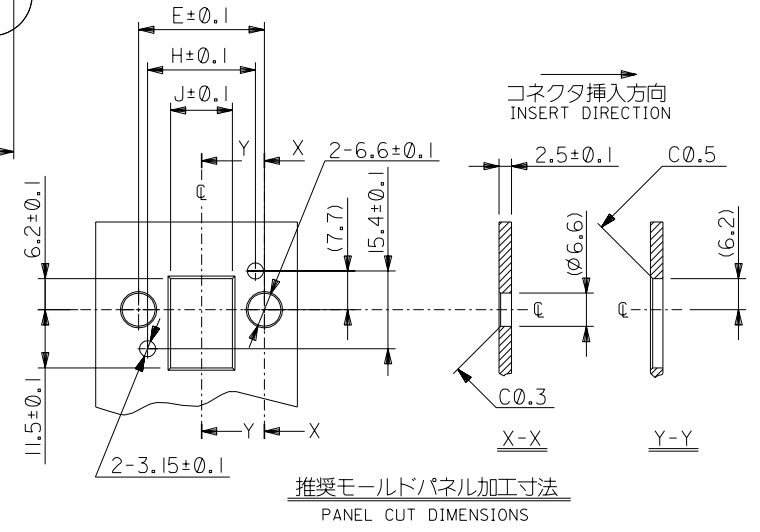
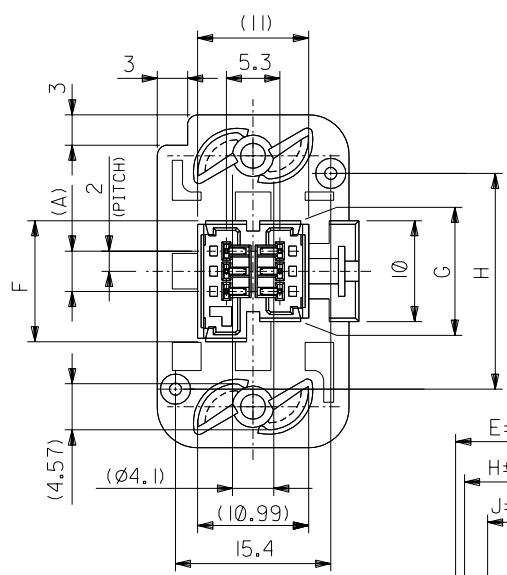
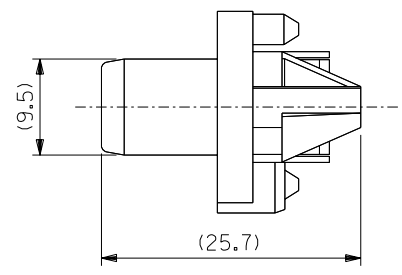
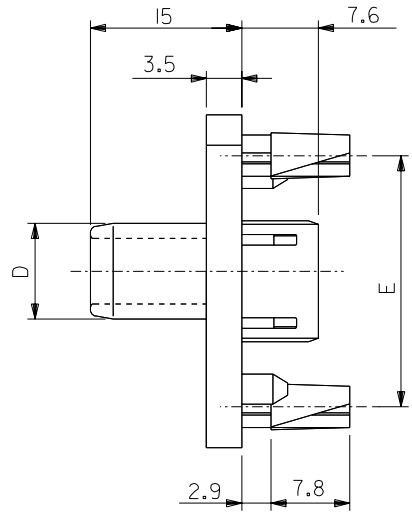
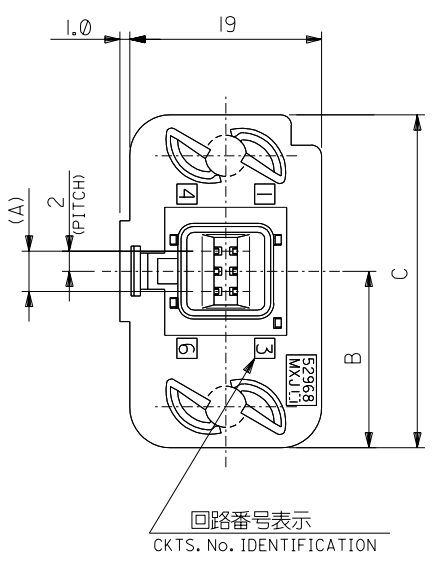


DWG. NO.
SD-52968-008



- 注)
NOTES:
- 材質
MATERIAL
ハウジング: ポリカーボネート, UL94V-0 黒
HOUSING: POLYCARBONATE, UL94V-0, BLACK
ターミナル: リン青銅
TERMINAL: PHOSPHOR BRONZE
 - ターミナルメッキ仕様
TERMINAL PLATING
金メッキ: 0.25μm MIN. (接点部)
GOLD: 0.25μm MIN. (CONTACT AREA)
錫メッキ: 1μm MIN. (リセプタクル嵌合部)
TIN-LEAD: 1μm MIN. (RECEPTACLE CONNECTED AREA)
ニッケルメッキ: 1μm MIN. (下地メッキ)
NICKEL: 1μm MIN. (UNDER PLATING)
 - 適合リセプタクル: 52484-**10, 51090-***00
APPLICABLE RECEPTACLE: 52484-**10, 51090-***00
 - 嵌合相手: 53717-**19
MATES WITH: 53717-**19
 - 本製品は 52968-**11 の鉛フリー品である。
THIS PRODUCT IS LEAD FREE OF 52968-**11.

12.3	21.4	10	12	24.9	9.5	33	17.5	4	52968-0619	52968-**19	6
J	H	G	F	E	D	C	B	(A)	MATERIAL NO.	MODEL NO.	CKT.

DO NOT SCALE DRAWING

64 NO. DRWN: CH'K: APPR:	63 NO. DRWN: CH'K: APPR:	62 NO. DRWN: CH'K: APPR:	61 NO. DRWN: CH'K: APPR:	0 REV
RELEASED '04/02/13 DRW NO. J2004-2419 DRWN: M. NINOMIYA CH'K: K. TOJO APPR: M. SASAO				

MATERIAL 材料	SEE NOTE
FINISH 仕上げ	SEE NOTE
WIRE RANGE 適用電線範囲	—
INS. RANGE 被覆外径	—

GENERAL TOLERANCES: (UNLESS SPECIFIED) 一般公差	SCALE 2-1	DESIGN UNITS <input checked="" type="checkbox"/> mm <input type="checkbox"/> INCH	PROJECTION <input checked="" type="checkbox"/> FIRST ANGLE
10 UNDER 未満	±0.2	DRAWN BY & DATE M. NINOMIYA '04/02/13	TITLE: 2mm PITCH FLOATING CONN. REC. HS'G ASS'Y -LEAD FREE-
10 OVER 以上	±0.25	CHECKED BY & DATE K. TOJO '04/02/13	APPROVED BY & DATE M. SASAO '04/02/13
30 OVER 以上	±0.3	CAD FILENAME SD-52968-008.S01	MATERIAL NO. SEE CHART
ANGLE 角度	±3°	DRAWING NO. SD-52968-008	

DIMENSIONS: <input type="checkbox"/> mm <input type="checkbox"/> INCH		SHT REV
DRAWING NO. SD-52968-008		REV B2
SHEET NO. 1 OF 1		REV CAD ONLY

SD-52968-008.S01