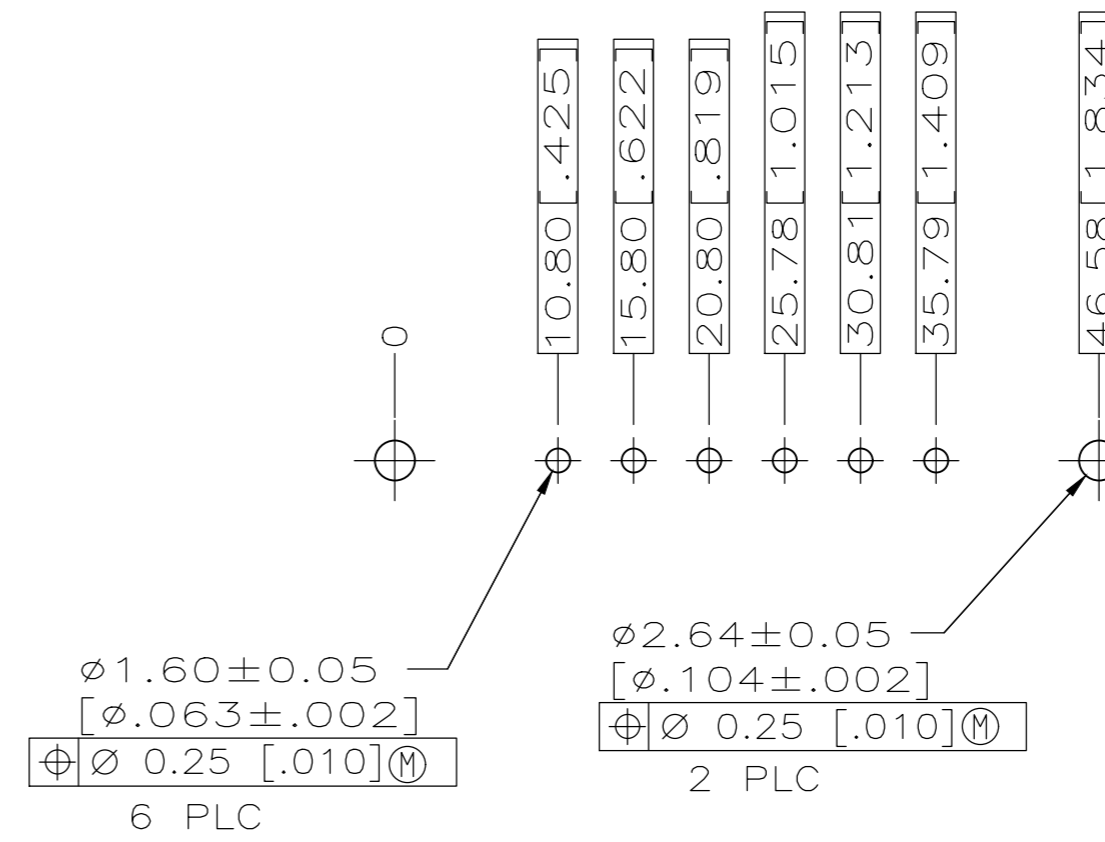
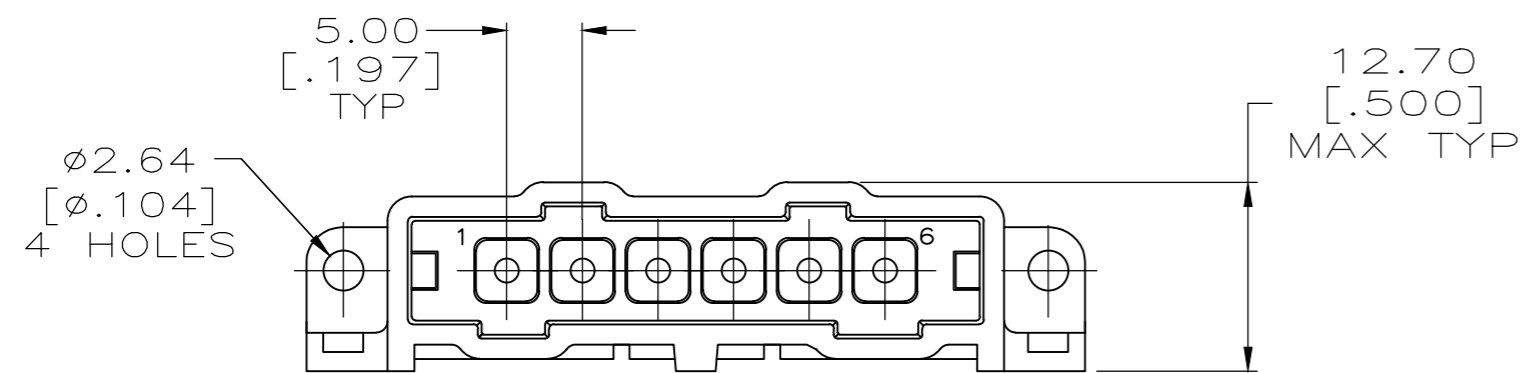
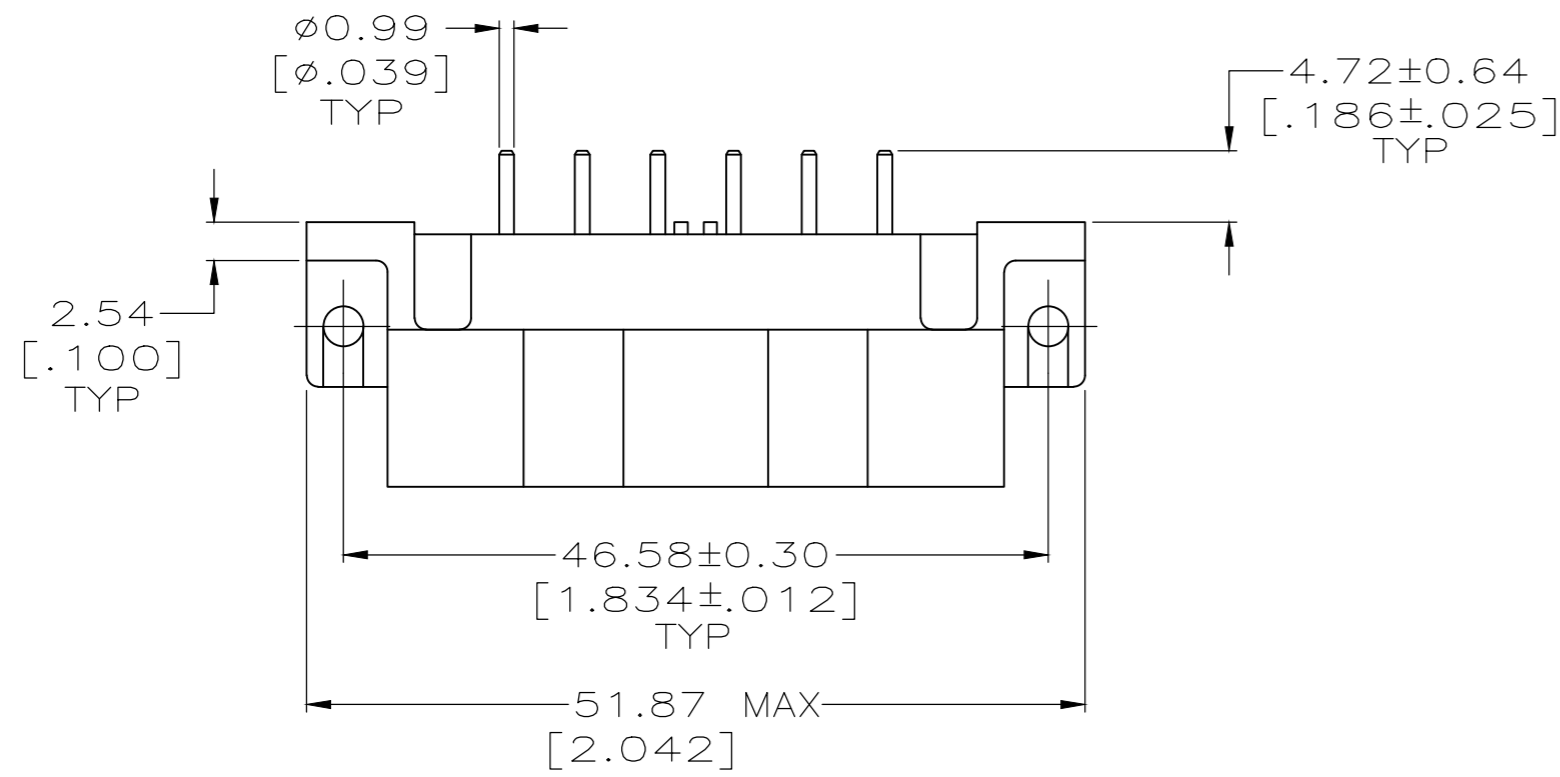
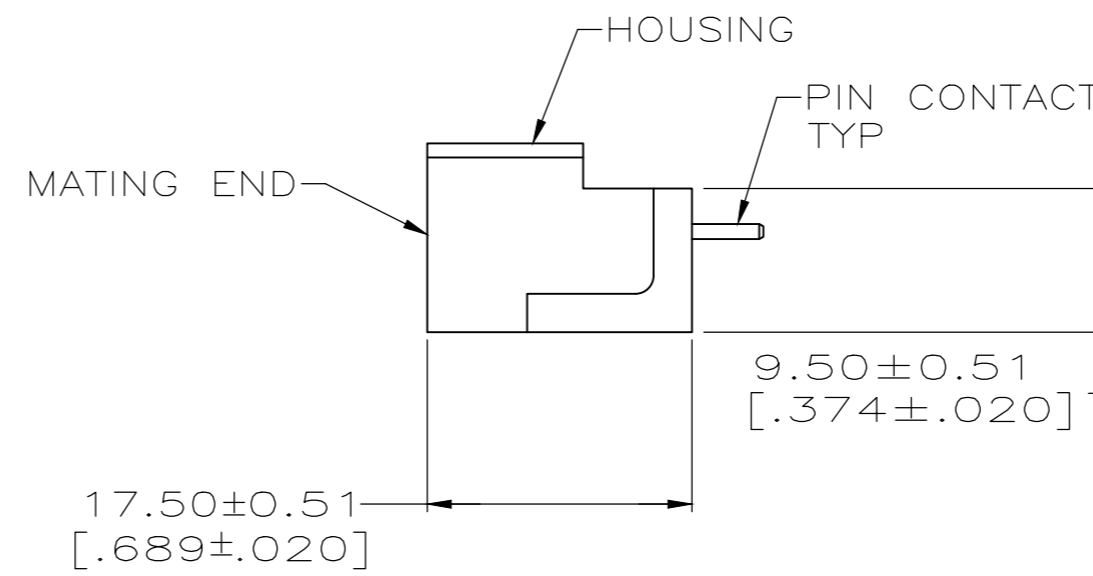


THIS DRAWING IS UNPUBLISHED. RELEASED FOR PUBLICATION
 © COPYRIGHT - TE Connectivity Ltd. ALL RIGHTS RESERVED.

REVISIONS					
P	LTR	DESCRIPTION	DATE	DWN	APVD
K		REVISED PER ECO-18-000443	19JAN2018	RS	MZ
L		REVISED PER ECO-20-001562	04FEB2020	SG	MZ



RECOMMENDED PC BOARD LAYOUT



- ① HOUSING MATERIAL: PA66, BLACK, UL 94 V-0 RATED.
- ② BRASS PER ASTM B36.
- ③ 3.81um [.000150] MIN TIN-LEAD OVER 2.54um [.000100] MIN COPPER OR 1.27um [.000050] MIN NICKEL.
- ④ 0.76um [.000030] MIN GOLD FOR A LENGTH OF 5.08 [.200] MIN FROM MATING END, 3.81um [.000150] MIN TIN-LEAD FOR A LENGTH OF 5.36 [.211] MIN FROM OPPOSITE END, BOTH OVER 1.27um [.000050] MIN NICKEL.
- ⑤ 3.81um [.000150] MIN TIN OVER 2.54um [.000100] MIN COPPER OR 1.27um [.000050] MIN NICKEL.
- ⑥ 0.76um [.000030] MIN GOLD FOR A LENGTH OF 5.08 [.200] MIN FROM MATING END, 3.81um [.000150] MIN TIN FOR A LENGTH OF 5.36 [.211] MIN FROM OPPOSITE END, BOTH OVER 1.27um [.000050] MIN NICKEL.

FINISH	PART NUMBER
⑥	207583-7
⑤	207583-6
④	207583-3
③	207583-1

THIS DRAWING IS A CONTROLLED DOCUMENT.		DWN	L.SIPE	07/21/92	TE Connectivity Ltd.	
DIMENSIONS: mm [INCHES]		CHK	R.STONE	7-24-92		
TOLERANCES UNLESS OTHERWISE SPECIFIED:		APVD	-	-	NAME	
0 PLC ± -		PRODUCT SPEC	-	-	PIN HEADER ASSEMBLY, 6 POSN, IN-LINE, SMALL METRIC CONNECTOR, METRIMATE	
1 PLC ± -		APPLICATION SPEC	-	-	SIZE	CAGE CODE
2 PLC ± 0.25 [.010]		WEIGHT	-	-	A2	00779
3 PLC ± -		CUSTOMER DRAWING	-	-	DRAWING NO	RESTRICTED TO
4 PLC ± -		SCALE	2:1	-	C=207583	-
ANGLES ± -		SHEET	1 of 1	-	REV	L
MATERIAL HOUSING: ① CONTACTS: ②		FINISH CONTACTS: SEE TABLE				