

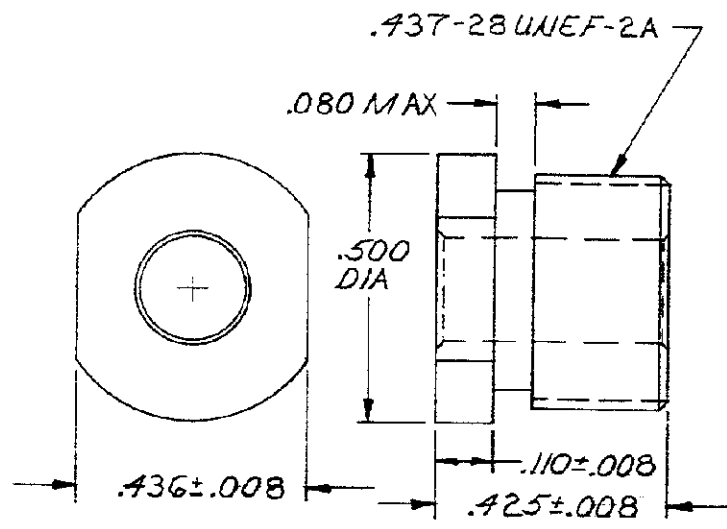
© COPYRIGHT 1979 BY AMP INCORPORATED, HARRISBURG, PA.
ALL INTERNATIONAL RIGHTS RESERVED. AMP INCORPORATED PRODUCTS
COVERED BY U.S. AND FOREIGN PATENTS AND/OR PATENTS PENDING.

		REVISIONS				LOC	DIS
P	F	ZONE	LTR	DESCRIPTION	DATE	APPR	
✓	✓		0	NPS 70-2528	9/18/79	PRG	
✓	✓		A	ADD-2 NPS 80-2695	5/20/80	gls	
✓	✓		B	CHNG DIM	6/26/80	gls	

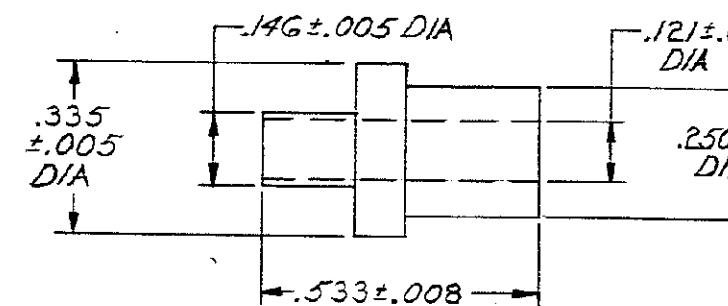
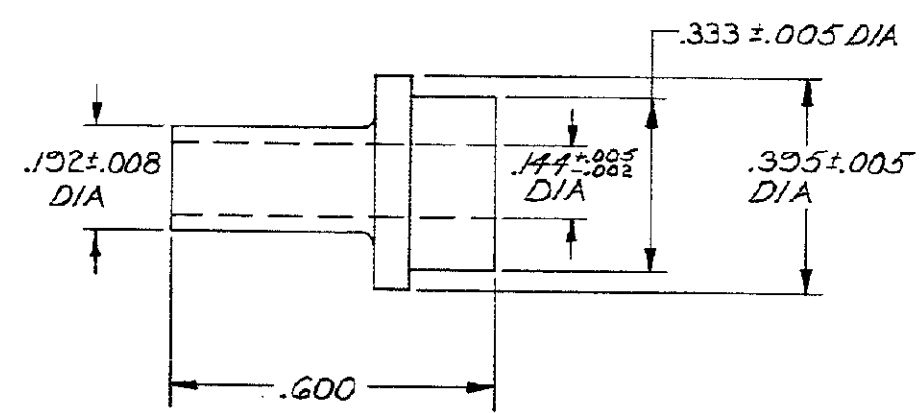
- ① GOLD PL. (MIL-G-45204)
- ② BR. TIN PL. (MIL-T-15727)

D
227347
C
B
A

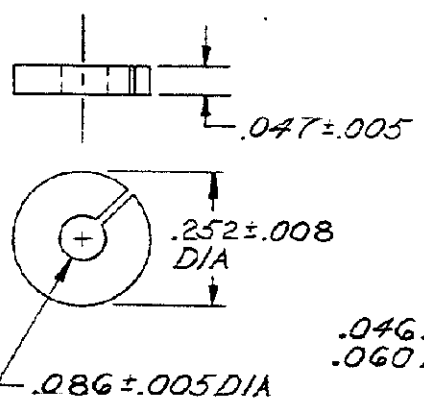
NUT, CONNECTOR
MATL: BRASS, QQ-B-626
PLATING SEE TABLE
PART NO. SEE TABLE (ITEM 1)



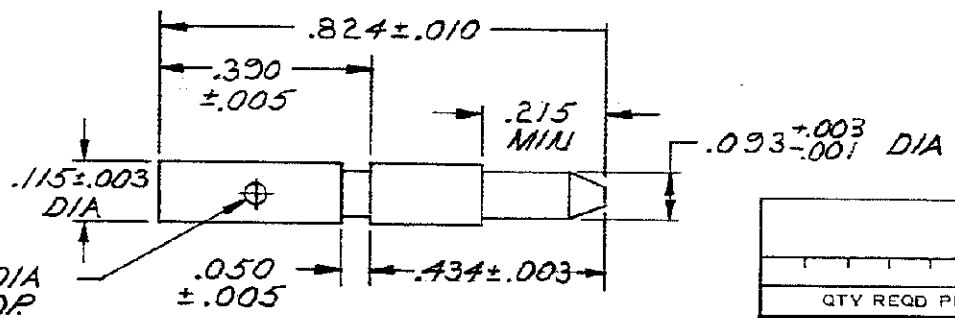
ADAPTOR, CONNECTOR
MATL: BRASS, QQ-B-626
PLATING SEE TABLE
PART NO. SEE TABLE (ITEM 2)



INSULATOR, CONNECTOR
MATL: TEFLON, MIL-P-19468A
PART NO. 227403-1



BEAD, INSULATOR
MATL: TEFLON, MIL-P-19468A
PART NO. 227406-1



PIN, CONNECTOR
MATL: BRASS, QQ-B-626
GOLD PL, MIL-G-45204
PART NO. 227404-2

1	-	②	227405-3	ADAPTOR CONN.
1	-	②	227402-3	NUT, CONNECTOR
-	1	①	227405-2	ADAPTOR CONN.
-	1	①	227402-2	NUT CONNECTOR
-	2	-	PLATING	DWG SIZE PART NO OR IDENTIFYING NO NOMENCLATURE OR DESCRIPTION

QTY REQD PER ASSY		REVISION OF EACH ASSY NO (WHEN BLANK, USE DWG REVISION)	
UNLESS OTHERWISE SPECIFIED DIMENSIONS ARE IN INCHES. TOLERANCES ON: DECIMALS ±.008 ANGLES ± 5°		PARTS LIST	
CONTRACT NO		AMP INCORPORATED Harrisburg, Pa.	
DR MRS [Signature] 3-21-79		NAME	
CHK [Signature] 9/18/79		ARING PIN, SOLDER ASSY SIZE 1	
APPR [Signature] 9/19/79		SIZE	CODE IDENT NO
DSGN APPD		B	00779
OTHER APPD		DRAWING NO	227347
		SCALE	SHEET 1 of 1