

Precision Test Adapters

1.85 mm(F) to SMPM(F)

withwave

Versatile RF & MW Test Solutions

Withwave's Precision Test Adapters are designed based on precision microwave interconnection technologies. **This 1.85 mm(F) to SMPM(F)** adapter is manufactured to precise microwave specifications and constructed with female gender on side 1 and female gender side 2. The precision microwave connector interfaces ensure an excellent microwave performance up to 67 GHz



■ Features

- Frequency range : DC to 67 GHz
- VSWR : 1.30 : 1(Max) @ 67 GHz

■ Specification

Scope	Specification	AD01F17FS1
Electrical	Impedance(Ohm)	50
	Operation Freq.(GHz)	DC to 67 GHz
	VSWR (Max)	1.20 : 1 @ 50 GHz 1.30 : 1 @ 67 GHz
Material	Dielectric	Special dielectric
	Center Contact	Beryllium copper with gold plated
	Body	Passivated Stainless Steel

* RoHS Compliant

Precision Test Adapters

1.85 mm(F) to SMPM(F)

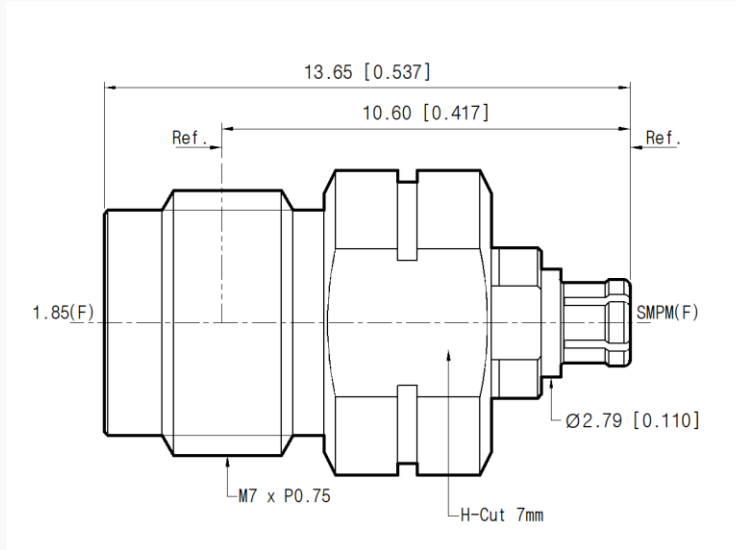
withwave

Versatile RF & MW Test Solutions

■ Drawing

Part No.: AD01F17FS1

Unit : mm



■ Test Result

▪ Frequency : 10 MHz to 67 GHz

