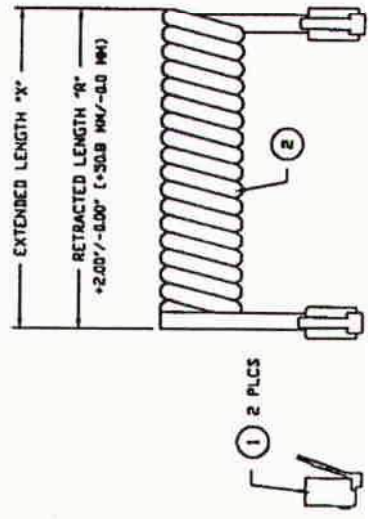


1 A B C D E F G H

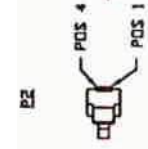
THESE DRAWINGS AND SPECIFICATIONS ARE THE SOLE PROPERTY OF I/O INTERCONNECT INC. U.S.A. AND SHALL NOT BE REPRODUCED, COPIED, OR USED IN ANY MANNER WITHOUT THE WRITTEN PERMISSION OF I/O INTERCONNECT INC. OR ITS APPLICABLE SUBSIDIARIES.



WIRE DIAGRAM

PL	DESCRIPTION	REV.	ZONE
1	BLACK		
2	RED		
3	GREEN		
4	YELLOW		

H1441-14C-ND  
H1442-14C-ND  
H1443-14C-ND  
H1441-10C-ND  
H1442-10C-ND  
H1443-10C-ND  
H1441-07C-ND  
H1442-07C-ND  
H1443-07C-ND  
H1441-05C-ND  
H1442-05C-ND  
H1443-05C-ND



**CUSTOMER APPROVAL**  
**ENGR. SIGN** *Matt Lerner*  
**DATE:** 4-13-99

NOTES: UNLESS OTHERWISE SPECIFIED.

1. TEST CABLE FOR ALL OPENS & SHORTS.

2. PACKAGE CABLE ASSEMBLY INDIVIDUALLY IN PLASTIC BAG. PACKAGE INDIVIDUAL BAG PER LOT NUMBER QUANTITIES.

444-144-515-D	121-410-022	14.0 FT (4.3 M)	34.0 IN (863.6 MM)	WHITE
444-144-514-D	121-410-012	14.0 FT (4.3 M)	34.0 IN (863.6 MM)	BLACK
444-144-513-D	121-410-002	14.0 FT (4.3 M)	34.0 IN (863.6 MM)	SILVER SATIN
444-104-512-D	121-410-021	10.0 FT (3.0 M)	20.0 IN (762.0 MM)	WHITE
444-104-511-D	121-410-011	10.0 FT (3.0 M)	20.0 IN (762.0 MM)	BLACK
444-104-510-D	121-410-001	10.0 FT (3.0 M)	20.0 IN (762.0 MM)	SILVER SATIN
444-074-515-D	121-410-020	7.0 FT (2.1 M)	18.0 IN (533.4 MM)	WHITE
444-074-514-D	121-410-010	7.0 FT (2.1 M)	18.0 IN (533.4 MM)	BLACK
444-074-513-D	121-410-000	7.0 FT (2.1 M)	18.0 IN (533.4 MM)	SILVER SATIN
444-054-512-D	121-410-023	5.0 FT (1.5 M)	17.0 IN (431.8 MM)	WHITE
444-054-511-D	121-410-013	5.0 FT (1.5 M)	17.0 IN (431.8 MM)	BLACK
444-054-510-D	121-410-003	5.0 FT (1.5 M)	17.0 IN (431.8 MM)	SILVER SATIN

TABULATION BLOCK



THIRD ANGLE PROJECTION

UNLESS OTHERWISE NOTED, DIMENSIONS ARE IN INCHES (MILLIMETERS). TOLERANCES: XXX ± .025 (6.35)

**I/O INTERCONNECT**  
SANTA ANA, CALIFORNIA

484C/APAC COIL CABLE, STANDARD STYL, CABLE ASSEMBLY

PART NO: 444-144-515-D  
REV: 02/26/99  
E.V.

MODULAR COIL CABLE, 26 AWG (7/34) BARE COPPER, 4 CONDUCTOR, UNSHIELDED, PVC JACKET, (SEE TABULATION BLOCK FOR COLOR).

CONNECTOR, MODULAR PLUG, 4 POSITION, 4 CONDUCTOR, 50.4" A, FLAT TYPE EXIT.

CABLE ASSEMBLY PARTS LIST

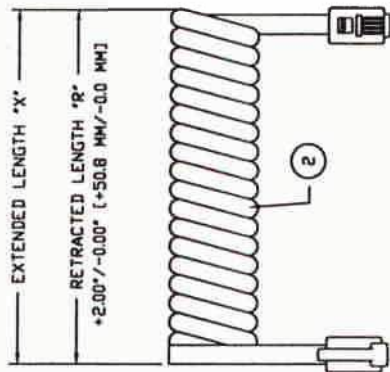
ITEM	QTY	MFG	IDI PART NO.	DESCRIPTION
2		SEE	"TABULATION BLOCK"	
1	2 PCS	IDI	305-441-50X	

REV.	DATE	APPROVED
02/26/99		E.V.

A B C D E F G H

THESE DRAWINGS AND SPECIFICATIONS ARE THE SOLE PROPERTY OF I/O INTERCONNECT INC., U.S.A. AND SHALL NOT BE REPRODUCED, COPIED, OR USED IN ANY MANNER WITHOUT THE PRIOR WRITTEN CONSENT OF I/O INTERCONNECT INC. OR ITS AFFILIATED SUBSIDIARIES.

DWG. NO.	ZONE	REV.	DESCRIPTION	DATE	APPROVED
XX4-50X-D		X1	CUSTOMER APPROVAL	03/25/99	E.V.
		X2	ADD RETRACTED LENGTH	03/29/99	E.V.



WIRE DIAGRAM

P1		P2
1	BLACK	1
2	RED	2
3	GREEN	3
4	YELLOW	4



P1



P2



H2441-14C  
H2442-14C  
H2443-14C  
H2441-10C  
H2442-10C  
H2443-10C  
H2441-07C  
H2442-07C  
H2443-07C  
H2441-05C  
H2442-05C  
H2443-05C

**CUSTOMER APPROVAL**  
**ENGR. SIGN** *Mathy Arreaga*  
**DATE:** 4-13-99

NOTES: UNLESS OTHERWISE SPECIFIED.

- TEST CABLE FOR ALL OPENS & SHORTS.
- PACKAGE CABLE ASSEMBLY INDIVIDUALLY IN PLASTIC BAG. PACKAGE INDIVIDUAL BAG PER LOT NUMBER QUANTITIES.

444-144-505-D	121-410-022	14.0 FT (4.3 M)	34.0 IN (863.6 MM)	WHITE
444-144-504-D	121-410-012	14.0 FT (4.3 M)	34.0 IN (863.6 MM)	BLACK
444-144-503-D	121-410-002	14.0 FT (4.3 M)	34.0 IN (863.6 MM)	SILVER SATIN
444-104-502-D	121-410-021	10.0 FT (3.0 M)	30.0 IN (762.0 MM)	WHITE
444-104-501-D	121-410-011	10.0 FT (3.0 M)	30.0 IN (762.0 MM)	BLACK
444-104-500-D	121-410-001	10.0 FT (3.0 M)	30.0 IN (762.0 MM)	SILVER SATIN
444-074-505-D	121-410-020	7.0 FT (2.1 M)	21.0 IN (533.4 MM)	WHITE
444-074-504-D	121-410-010	7.0 FT (2.1 M)	21.0 IN (533.4 MM)	BLACK
444-074-503-D	121-410-000	7.0 FT (2.1 M)	21.0 IN (533.4 MM)	SILVER SATIN
444-054-502-D	121-410-023	5.0 FT (1.5 M)	17.0 IN (431.8 MM)	WHITE
444-054-501-D	121-410-013	5.0 FT (1.5 M)	17.0 IN (431.8 MM)	BLACK
444-054-500-D	121-410-003	5.0 FT (1.5 M)	17.0 IN (431.8 MM)	SILVER SATIN
IDI PART NUMBER	IDI CABLE PART NUMBER	EXTENDED LENGTH "X"	RETRACTED LENGTH "R"	COLOR

TABULATION BLOCK

<p>THIRD ANGLE PROJECTION</p>		<p>UNLESS OTHERWISE NOTED: 1) DIMENSIONS ARE IN INCHES (MILLIMETER) 2) TOLERANCES: XXX ± 0.25' (6.35)</p>	
<p>SEE 'X' FT</p>		<p>SEE 'R'</p>	
<p>2 PCS</p>		<p>2 PCS</p>	
<p>MODULAR COIL CABLE, 26 AWG (7/34) BARE COPPER, 4 CONDUCTOR, UNSHIELDED, PVC JACKET, (SEE TABULATION BLOCK FOR COLOR).</p>		<p>MODULAR COIL CABLE, 26 AWG (7/34) BARE COPPER, 4 CONDUCTOR, UNSHIELDED, PVC JACKET, (SEE TABULATION BLOCK FOR COLOR).</p>	
<p>CONNECTOR, MODULAR PLUG, 4 POSITION, 4 CONDUCTOR, 50u' AU, FLAT TYPE EXIT.</p>		<p>CONNECTOR, MODULAR PLUG, 4 POSITION, 4 CONDUCTOR, 50u' AU, FLAT TYPE EXIT.</p>	
<p>DESCRIPTION</p>		<p>DESCRIPTION</p>	
<p>CABLE ASSEMBLY PARTS LIST</p>		<p>CABLE ASSEMBLY PARTS LIST</p>	
<p>ITEM QTY MFG. IDI PART NO.</p>		<p>ITEM QTY MFG. IDI PART NO.</p>	
<p>SCALE NONE</p>		<p>SCALE NONE</p>	
<p>SHEET 1 OF 1</p>		<p>SHEET 1 OF 1</p>	

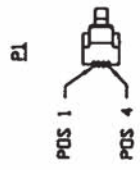
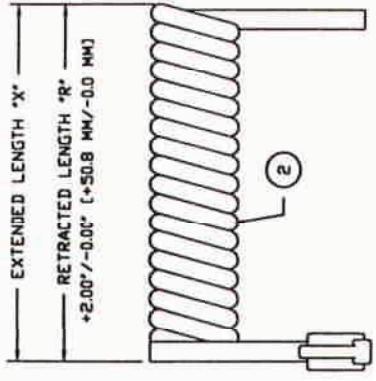


A B C D E F G H

THESE DRAWINGS AND SPECIFICATIONS ARE THE SOLE PROPERTY OF I/O INTERCONNECT INC. NO REPRODUCTION OR USE IN ANY MANNER WITHOUT THE WRITTEN CONSENT OF I/O INTERCONNECT INC OR ITS AFFILIATED SUBSIDIARIES.

DWG. NO.	ZDNE	REV.	DESCRIPTION	DATE	APPROVED
XX4-52X-D		X1	CUSTOMER APPROVAL	03/26/99	E.V.
		X2	ADD RETRACTED LENGTH	03/29/99	E.V.

WIRE DIAGRAM  
 OPEN END  
 1 BLACK  
 2 RED  
 3 GREEN  
 4 YELLOW



444-144-525-D	121-410-022	14.0 FT (4.3 M)	34.0 IN (8636 MM)	WHITE
444-144-524-D	121-410-012	14.0 FT (4.3 M)	34.0 IN (8636 MM)	BLACK
444-144-523-D	121-410-002	14.0 FT (4.3 M)	34.0 IN (8636 MM)	SILVER SATIN
444-104-522-D	121-410-021	10.0 FT (3.0 M)	30.0 IN (7620 MM)	WHITE
444-104-521-D	121-410-011	10.0 FT (3.0 M)	30.0 IN (7620 MM)	BLACK
444-104-520-D	121-410-001	10.0 FT (3.0 M)	30.0 IN (7620 MM)	SILVER SATIN
444-074-525-D	121-410-020	7.0 FT (2.1 M)	21.0 IN (5334 MM)	WHITE
444-074-524-D	121-410-010	7.0 FT (2.1 M)	21.0 IN (5334 MM)	BLACK
444-074-523-D	121-410-000	7.0 FT (2.1 M)	21.0 IN (5334 MM)	SILVER SATIN
444-054-522-D	121-410-023	5.0 FT (1.5 M)	17.0 IN (431.8 MM)	WHITE
444-054-521-D	121-410-013	5.0 FT (1.5 M)	17.0 IN (431.8 MM)	BLACK
444-054-520-D	121-410-003	5.0 FT (1.5 M)	17.0 IN (431.8 MM)	SILVER SATIN
IDI PART NUMBER	IDI CABLE PART NUMBER	EXTENDED LENGTH "X"	RETRACTED LENGTH "R"	COLOR

CUSTOMER APPROVAL  
 ENGR. SIGN *Matt Lerner*  
 DATE: 4-13-99

- NOTES: UNLESS OTHERWISE SPECIFIED.
- TEST CABLE FOR ALL OPENS & SHORTS.
  - PACKAGE CABLE ASSEMBLY INDIVIDUALLY IN PLASTIC BAG. PACKAGE INDIVIDUAL BAG PER LOT NUMBER QUANTITIES.

TABULATION BLOCK

THIRD ANGLE PROJECTION

UNLESS OTHERWISE NOTED:  
 1) DIMENSIONS ARE IN INCHES (MILLIMETER)  
 2) TOLERANCES:  
 XXX ± 0.25 (6.35)

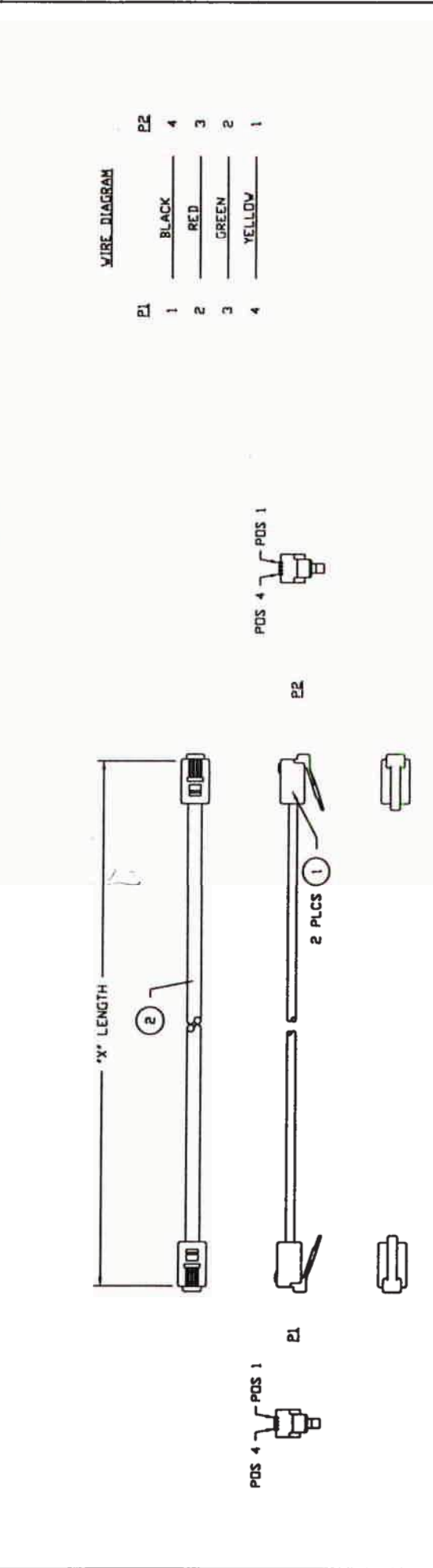
I/O INTERCONNECT  
 SANTA ANA, CALIFORNIA

TITLE: 4PAC COIL CABLE TO OPEN END, CABLE ASSEMBLY  
 PART NO: 444-XX4-52X-D  
 DWG NO: 444-XX4-52X-D  
 CUSTOMER: DIGI KEY  
 SCALE: NONE  
 SHEET 1 OF 1

ITEM	QTY	PC	IDI	MFG.	IDI PART NO.	DESCRIPTION
2						MODULAR COIL CABLE, 26 AWG (7/34) BARE COPPER, 4 CONDUCTOR, UNSHIELDED, PVC JACKET, (SEE TABULATION BLOCK FOR COLOR).
1	1	PC	IDI		325-441-50X	CONNECTOR, MODULAR PLUG, 4 POSITION, 4 CONDUCTOR, 50u Au, FLAT TYPE EXIT.

CABLE ASSEMBLY PARTS LIST

A	B	C	D	E	F	G	H	
THESE DRAWINGS AND SPECIFICATIONS ARE THE SOLE PROPERTY OF I/O INTERCONNECT INC. U.S.A. AND SHALL NOT BE REPRODUCED, COPIED, OR LOANED IN ANY MANNER WITHOUT THE PRIOR WRITTEN CONSENT OF I/O INTERCONNECT INC. OR ITS AFFILIATED SUBSIDIARIES.		DVG. NO. XX4-512-D		ZONE	REV. XI	DESCRIPTION CUSTOMER APPROVAL	DATE 03/24/99	APPROVED E.V.



**CUSTOMER APPROVAL**  
**ENGR. SIGN:** *Math Larmer*  
**DATE:** 4-12-99

- NOTES: UNLESS OTHERWISE SPECIFIED.
- CABLE TO BE BUNDLED AND TWIST TIED.
  - TEST CABLE FOR ALL OPENS & SHORTS.
  - PACKAGE CABLE ASSEMBLY INDIVIDUALLY IN PLASTIC BAG. PACKAGE INDIVIDUAL BAG PER LOT NUMBER QUANTITIES.

444-254-512-D	25.0 FT ± 4.0 IN 762 M ± 101.6 MM
444-144-512-D	14.0 FT ± 3.0 IN 427 M ± 76.2 MM
444-074-512-D	7.0 FT ± 2.0 IN 213 M ± 50.8 MM
PART NUMBER I/O INTERCONNECT LENGTH 'X'	

**I/O INTERCONNECT**  
 SANTA ANA, CALIFORNIA

THIRD ANGLE PROJECTION

UNLESS OTHERWISE NOTED DIMENSIONS ARE IN INCHES (MILLIMETER)

TOLERANCES:  
 XXX ± 0.25 (6.35)

IN IN	CONFORM TO	REWORK
NO.	4P4C MODULAR, STANDARD STYLE, WHITE, CABLE ASSEMBLY	
PART NO.	444-XX4-512-D	
DRAWING NO.	444-XX4-512-D	
CUSTOMER	DIGI KEY	
SCALE	NONE	SHEET 1 OF 1

ITEM	QTY	MFG.	IOI PART NO.	DESCRIPTION
2	"X"	IOI	120-410-020	MODULAR CABLE, 26 AVG (7/34) BARE COPPER, 4 CONDUCTOR, UNSHIELDED, WHITE PVC.
1	2 PCS	IOI	325-441-50X	CONNECTOR, MODULAR PLUG, 4 POSITION, 4 CONDUCTOR, 50U" AU, FLAT TYPE EXIT.

**CABLE ASSEMBLY PARTS LIST**

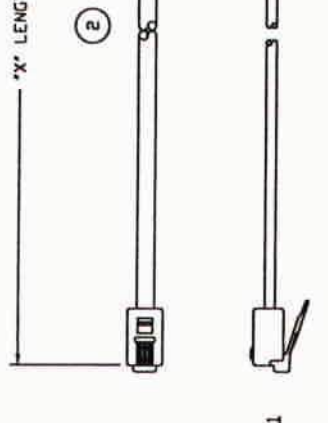
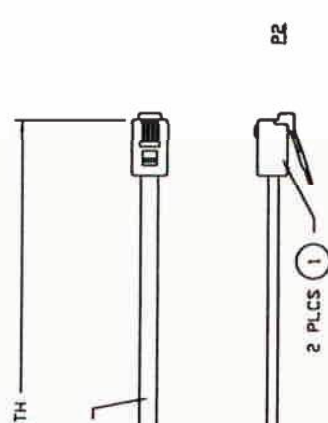
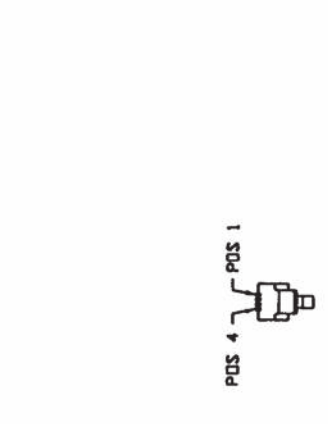
A B C D E F G H

REV. X1	ZONE	DESCRIPTION	DATE	APPROVED
XX4-511-D		CUSTOMER APPROVAL	03/24/99	E.V.

THESE DRAWINGS AND SPECIFICATIONS ARE THE SOLE PROPERTY OF I/O INTERCONNECT INC., U.S.A. AND SHALL NOT BE REPRODUCED, COPIED, OR USED IN ANY MANNER WITHOUT THE PRIOR WRITTEN CONSENT OF I/O INTERCONNECT INC. OR ITS AFFILIATED SUBSIDIARIES.

**WIRE DIAGRAM**

P1	P2
1	BLACK
2	RED
3	GREEN
4	YELLOW



**CUSTOMER APPROVAL**  
**ENGR. SIGN** *Flatt Janice*  
**DATE:** 4-12-99

- NOTES: UNLESS OTHERWISE SPECIFIED.
- CABLE TO BE BUNDLED AND TWIST TIED.
  - TEST CABLE FOR ALL OPENS & SHORTS.
  - PACKAGE CABLE ASSEMBLY INDIVIDUALLY IN PLASTIC BAG. PACKAGE INDIVIDUAL BAG PER LOT NUMBER QUANTITIES.

444-254-511-D	25.0 FT ± 4.0 IN 7.62 M ± 101.5 MM
444-144-511-D	14.0 FT ± 3.0 IN 4.27 M ± 76.2 MM
444-074-511-D	7.0 FT ± 2.0 IN 2.13 M ± 50.8 MM
PART NUMBER	LENGTH *X*

REV. X1	SCALE: NONE	SHEET 1 OF 1
DATE		
DESCRIPTION		
ITEM	QTY	DESCRIPTION

2	*X*	120-410-010	MODULAR CABLE, 26 AVG (7/34) BARE COPPER, 4 CONDUCTOR, UNSHIELDED, BLACK PVC.
1	2 PCS	325-441-50X	CONNECTOR, MODULAR PLUG, 4 POSITION, 4 CONDUCTOR, 50U' AU, FLAT TYPE EXIT.

REV. X1	SCALE: NONE	SHEET 1 OF 1
DATE		
DESCRIPTION		
ITEM	QTY	DESCRIPTION

REV. X1	SCALE: NONE	SHEET 1 OF 1
DATE		
DESCRIPTION		
ITEM	QTY	DESCRIPTION

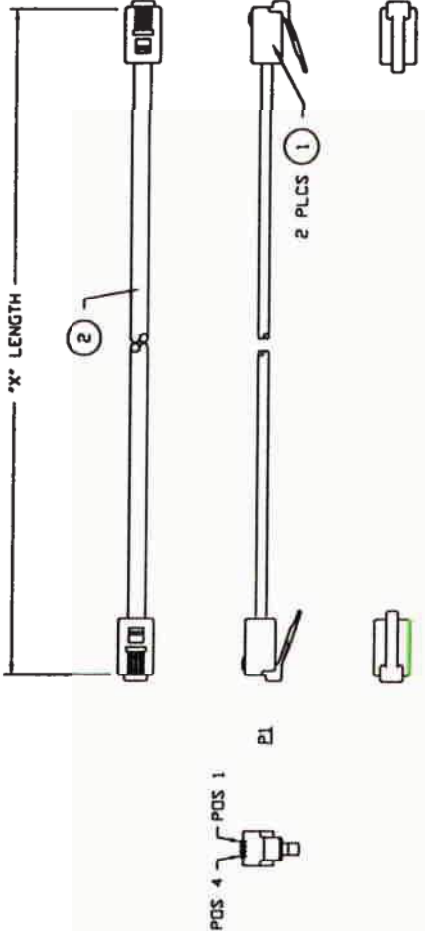
REV. X1	SCALE: NONE	SHEET 1 OF 1
DATE		
DESCRIPTION		
ITEM	QTY	DESCRIPTION

REV. X1	SCALE: NONE	SHEET 1 OF 1
DATE		
DESCRIPTION		
ITEM	QTY	DESCRIPTION

REV. X1	SCALE: NONE	SHEET 1 OF 1
DATE		
DESCRIPTION		
ITEM	QTY	DESCRIPTION

A	B	C	D	E	F	G	H
DVG. NO.		ZONE		REV.		DESCRIPTION	
XX4-510-D				X1		CUSTOMER APPROVAL	
						DATE	
						03/24/99	
						APPROVED	
						E.V.	

THESE DRAWINGS AND SPECIFICATIONS ARE THE SOLE PROPERTY OF I/O INTERCONNECT INC., U.S.A. AND SHALL NOT BE REPRODUCED, COPIED, OR USED IN ANY MANNER WITHOUT THE WRITTEN CONSENT OF I/O INTERCONNECT INC. OR ITS AFFILIATED SUBSIDIARIES.



**WIRE DIAGRAM**

P1	1	BLACK	P2	4
	2	RED		3
	3	GREEN		2
	4	YELLOW		1

**CUSTOMER APPROVAL**  
**ENGR. SIGN** *Matt Ferris*  
**DATE:** 4-12-99

NOTES: UNLESS OTHERWISE SPECIFIED.

1. CABLE TO BE BUNDLED AND TWIST TIED.
2. TEST CABLE FOR ALL OPENS & SHORTS.
3. PACKAGE CABLE ASSEMBLY INDIVIDUALLY IN PLASTIC BAG. PACKAGE INDIVIDUAL BAG PER LOT NUMBER QUANTITIES.

444-254-510-D	25.0 FT ± 4.0 IN 7.62 M ± 101.6 MM
444-144-510-D	14.0 FT ± 3.0 IN 4.27 M ± 76.2 MM
444-074-510-D	7.0 FT ± 2.0 IN 2.13 M ± 50.8 MM
PART NUMBER	LENGTH "X"
I/O INTERCONNECT	

**I/O INTERCONNECT**  
 SANTA ANA, CALIFORNIA

THIRD ANGLE PROJECTION

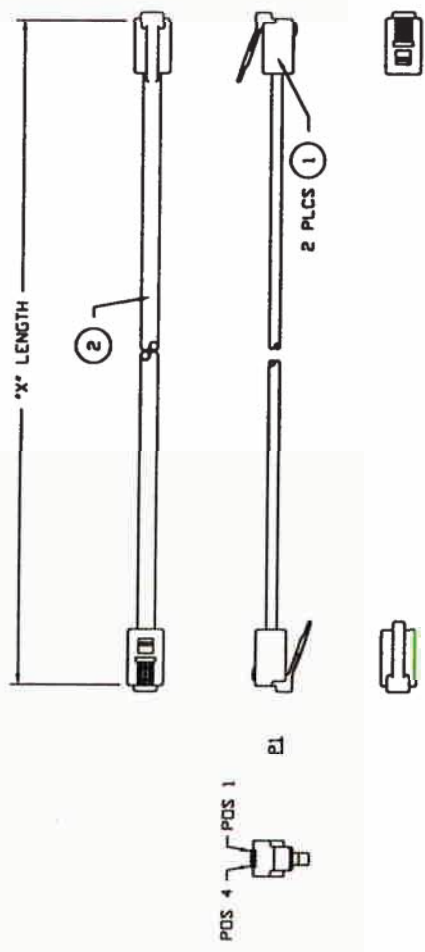
UNLESS OTHERWISE NOTED:  
 1) DIMENSIONS ARE IN INCHES (MILLIMETER)  
 2) TOLERANCES:  
 XXX ± 0.25 (6-35)

2	"X"	IOI	120-410-000	MODULAR CABLE, 26 AVG (7/34) BARE COPPER, 4 CONDUCTOR, UNSHIELDED, SILVER SATIN PVC.
1	2 PCS	IOI	325-441-50X	CONNECTOR, MODULAR PLUG, 4 POSITION, 4 CONDUCTOR, 50u" Au, FLAT TYPE EXIT.
ITEM	QTY	MFG.	IOI PART NO.	DESCRIPTION

**CABLE ASSEMBLY PARTS LIST**

SCALE:	NONE	SHEET	1	OF	1
REV.	X1	DIGI KEY			
CUSTOMER	444-XX4-510-D				
PWG NO.	444-XX4-510-D				
PART NO.	444-XX4-510-D				
TITLE:	4P4C MODULAR, STANDARD STYLE, SILVER SATIN, CABLE ASSEMBLY				

A	B	C	D	E	F	G	H	
THESE DRAWINGS AND SPECIFICATIONS ARE THE SOLE PROPERTY OF I/O INTERCONNECT INC., U.S.A. AND SHALL NOT BE REPRODUCED, COPIED, OR USED IN ANY MANNER WITHOUT THE PRIOR WRITTEN CONSENT OF I/O INTERCONNECT INC. OR ITS AFFILIATED SUBSIDIARIES.		DWG. NO. XX4-502-D		ZONE XI	REV. XI	DESCRIPTION CUSTOMER APPROVAL	DATE 03/22/99	APPROVED E.V.



WIRE DIAGRAM

PL	BLACK	PR
1	BLACK	1
2	RED	2
3	GREEN	3
4	YELLOW	4

CUSTOMER APPROVAL  
 ENGR. SIGN *Y. Math & Jones*  
 DATE: 4-12-99

- NOTES: UNLESS OTHERWISE SPECIFIED.
- CABLE TO BE BUNDLED AND TWIST TIED.
  - TEST CABLE FOR OPENS & SHORTS.
  - PACKAGE CABLE ASSEMBLY INDIVIDUALLY IN PLASTIC BAG. PACKAGE INDIVIDUAL BAG PER LOT NUMBER QUANTITIES.

444-254-502-D	25.0 FT ± 4.0 IN 7.62 M ± 101.6 MM
444-144-502-D	14.0 FT ± 3.0 IN 4.27 M ± 76.2 MM
444-074-502-D	7.0 FT ± 2.0 IN 2.13 M ± 50.8 MM
PART NUMBER	LENGTH "X"
I/O INTERCONNECT	

THIRD ANGLE PROJECTION

UNLESS OTHERWISE NOTED  
 1) DIMENSIONS ARE IN INCHES (MILLIMETER)  
 2) TOLERANCES:  
 .XXX ± 0.25 (6.35)

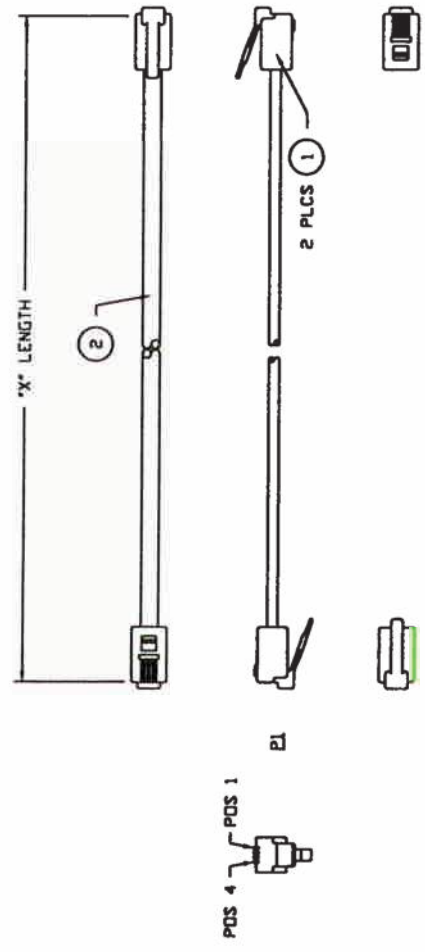
TITLE I/O INTERCONNECT	
SANTA ANA, CALIFORNIA	
PART NO. 444-XX4-502-D	REV. XI
DRAWING NO. 444-XX4-502-D	DATE 03/22/99
SCALE NONE	SHEET 1 OF 1

2	"X"	IOI	120-410-020	MODULAR CABLE, 26 AWG (7/34) BARE COPPER, 4 CONDUCTOR, UNSHIELDED, WHITE PVC.
1	2 PCS	IOI	325-441-50X	CONNECTOR, MODULAR PLUG, 4 POSITION, 4 CONDUCTOR, 50u" Au, FLAT TYPE EXIT.
ITEM	QTY	MFG.	IOI PART NO.	DESCRIPTION

CABLE ASSEMBLY PARTS LIST

THESE DRAWINGS AND SPECIFICATIONS ARE THE SOLE PROPERTY OF I/O INTERCONNECT INC. NO PART OF THIS DRAWING OR SPECIFICATION IS TO BE REPRODUCED OR COPIED IN ANY MANNER WITHOUT THE WRITTEN CONSENT OF I/O INTERCONNECT INC. OR ITS AFFILIATED SUBSIDIARIES.

DWG. NO.	ZONE	REV.	DESCRIPTION	DATE	APPROVED
XX4-501-D		XI	CUSTOMER APPROVAL	03/24/99	E.V.



WIRE DIAGRAM

P1		P2
1	BLACK	1
2	RED	2
3	GREEN	3
4	YELLOW	4

**CUSTOMER APPROVAL**  
**ENGR. SIGN** *Matt Thomas*  
**DATE:** 4-12-99

- NOTES: UNLESS OTHERWISE SPECIFIED.
- CABLE TO BE BUNDLED AND TWIST TIED.
  - TEST CABLE FOR ALL OPENS & SHORTS.
  - PACKAGE CABLE ASSEMBLY INDIVIDUALLY IN PLASTIC BAG. PACKAGE INDIVIDUAL BAG PER LOT NUMBER QUANTITIES.

444-254-501-D	250 FT ± 4.0 IN 7.62 M ± 101.6 MM
444-144-501-D	14.0 FT ± 3.0 IN 4.27 M ± 76.2 MM
444-074-501-D	7.0 FT ± 2.0 IN 2.13 M ± 50.8 MM
PART NUMBER	LENGTH "X"

**I/O INTERCONNECT**  
 SANTA ANA, CALIFORNIA

TITLE: 4P4C MODULAR, REVERT STYLE, BLACK, CABLE ASSEMBLY

UNLESS OTHERWISE NOTED: DIMENSIONS ARE IN INCHES (MILLIMETER) TOLERANCES: .XXX ± 0.25 (6.35)

THIRD ANGLE PROJECTION

REV.	REV.
XI	XI

SCALE: NONE

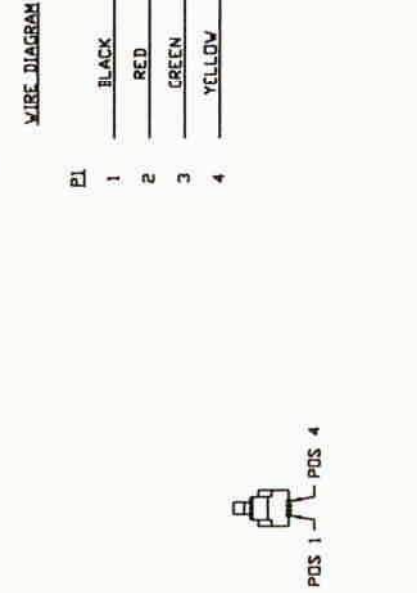
SHEET 1 OF 1

ITEM	QTY	MFG.	IOI PART NO.	DESCRIPTION
2	"X"	IOI	120-410-010	MODULAR CABLE, 26 AWG (7/34) BARE COPPER, 4 CONDUCTOR, UNSHIELDED, BLACK PVC.
1	2 PCS	IOI	325-441-50X	CONNECTOR, MODULAR PLUG, 4 POSITION, 4 CONDUCTOR, 50u" Au, FLAT TYPE EXIT.

CABLE ASSEMBLY PARTS LIST



A	B	C	D	E	F	G	H
THESE DRAWINGS AND SPECIFICATIONS ARE THE SOLE PROPERTY OF I/O INTERCONNECT INC., U.S.A. AND SHALL NOT BE REPRODUCED, COPIED, OR USED IN ANY MANNER WITHOUT THE PRIOR WRITTEN CONSENT OF I/O INTERCONNECT INC. OR ITS AFFILIATED SUBSIDIARIES.		DWG. NO. XX4-500-D	ZONE X1	REV. X1	DESCRIPTION CUSTOMER APPROVAL	DATE 03/24/99	APPROVED E.V.



**CUSTOMER APPROVAL**  
**ENGR. SIGN** *Math Larned*  
**DATE:** 4-12-99

- NOTES: UNLESS OTHERWISE SPECIFIED.
- CABLE TO BE BUNDLED AND TWIST TIED.
  - TEST CABLE FOR ALL OPENS & SHORTS.
  - PACKAGE CABLE ASSEMBLY INDIVIDUALLY IN PLASTIC BAG. PACKAGE INDIVIDUAL BAG PER LOT NUMBER QUANTITIES.

444-254-500-D	25.0 FT ± 4.0 IN 7.62 M ± 101.6 MM
444-144-500-D	14.0 FT ± 3.0 IN 4.27 M ± 76.2 MM
444-074-500-D	7.0 FT ± 2.0 IN 2.13 M ± 50.8 MM
PART NUMBER I/O INTERCONNECT	LENGTH "X"

**I/O INTERCONNECT**  
 SANTA ANA, CALIFORNIA

UNLESS OTHERWISE NOTED, DIMENSIONS ARE IN INCHES (MILLIMETER). TOLERANCES: X.XX ± 0.25 (6.35)

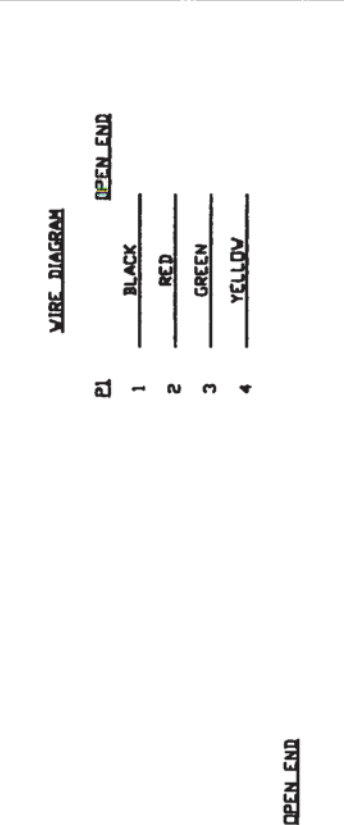
THIRD ANGLE PROJECTION

ITEM	QTY	MFG.	IOI PART NO.	DESCRIPTION
2	"X"	IOI	120-410-000	MODULAR CABLE, 26 AWG (7/34) BARE COPPER, 4 CONDUCTOR, UNSHIELDED, SILVER SATIN PVC.
1	2 PCS	IOI	325-441-50X	CONNECTOR, MODULAR PLUG, 4 POSITION, 4 CONDUCTOR, 50U" Au, FLAT TYPE EXIT.

**CABLE ASSEMBLY PARTS LIST**

REV.	DIGI KEY	X1
DATE	444-XX4-500-D	
PART NO.	444-XX4-500-D	
DRAWN	444-XX4-500-D	
CHECKED		
SCALE	NONE	SHEET 1 OF 1

A	B	C	D	E	F	G	H
THESE DRAWINGS AND SPECIFICATIONS ARE THE SOLE PROPERTY OF I/O INTERCONNECT INC., U.S.A. AND SHALL NOT BE REPRODUCED, COPIED, OR USED IN ANY MANNER WITHOUT THE PRIOR WRITTEN CONSENT OF I/O INTERCONNECT INC. OR ITS AFFILIATED SUBSIDIARIES.		DWG. NO. XX4-522-D	ZONE X1	REV. X1	DESCRIPTION CUSTOMER APPROVAL	DATE 03/24/99	APPROVED E.V.



**CUSTOMER APPROVAL**  
 ENGR. SIGN *Y. Math...*  
 DATE: 4-12-99

444-254-522-D	25.0 FT ± 4.0 IN 762 M ± 101.6 MM
444-144-522-D	14.0 FT ± 3.0 IN 427 M ± 76.2 MM
444-074-522-D	7.0 FT ± 2.0 IN 213 M ± 50.8 MM
PART NUMBER	LENGTH *X*
I/O INTERCONNECT	

H3441-25-ND  
 H3441-14-ND  
 H3441-07-ND

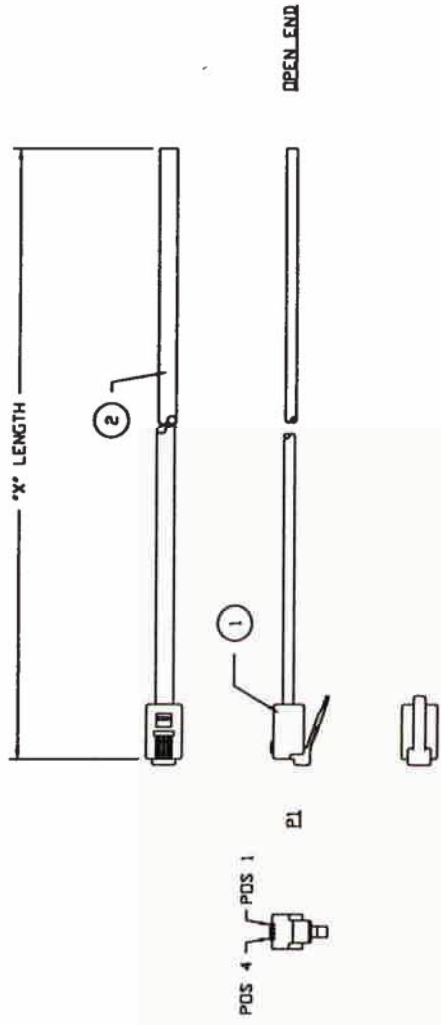
SANTA ANA, CALIFORNIA	
	THIRD ANGLE PROJECTION UNLESS OTHERWISE NOTED 1) DIMENSIONS ARE IN INCHES (MILLIMETER) 2) TOLERANCES: X.XX ± 0.25 (6.35)
MODULAR CABLE, 26 AVG (7/34) BARE COPPER, 4 CONDUCTOR, UNSHIELDED, WHITE PVC.	120-410-020
CONNECTOR, MODULAR PLUG, 4 POSITION, 4 CONDUCTOR, 50A, FLAT TYPE EXIT.	325-441-50X
ITEM QTY MFG.	IOI PART NO.
CABLE ASSEMBLY PARTS LIST	
DESCRIPTION	I/O INTERCONNECT
PART NO. 444-254-522-D	WHITE, CABLE ASSEMBLY
ENG NO. 444-254-522-D	CUSTOMER
REV. XI	DIGI KEY
SHEET 1 OF 1	NONE

- NOTES: UNLESS OTHERWISE SPECIFIED.
- CABLE TO BE BUNDLED AND TWIST TIED.
  - TEST CABLE FOR ALL OPENS & SHORTS.
  - PACKAGE CABLE ASSEMBLY INDIVIDUALLY IN PLASTIC BAG. PACKAGE INDIVIDUAL BAG PER LOT NUMBER QUANTITIES.

A B C D E F G H

REV. XI	DESCRIPTION	DATE	APPROVED
XX4-S21-D	CUSTOMER APPROVAL	03/24/99	E.V.
DWG. NO.	ZONE		
XX4-S21-D			

THESE DRAWINGS AND SPECIFICATIONS ARE THE SOLE PROPERTY OF I/O INTERCONNECT INC., U.S.A. AND SHALL NOT BE REPRODUCED, COPIED, OR USED IN ANY MANNER WITHOUT THE PRIOR WRITTEN CONSENT OF I/O INTERCONNECT INC. OR ITS AFFILIATED SUBSIDIARIES.



CUSTOMER APPROVAL  
 ENGR. SIGN Matt Janner  
 DATE: 4-12-99

444-294-S21-D	25.0 FT ± 4.0 IN 7.62 M ± 101.6 MM
444-144-S21-D	14.0 FT ± 3.0 IN 4.27 M ± 76.2 MM
444-074-S21-D	7.0 FT ± 2.0 IN 2.13 M ± 50.8 MM
PART NUMBER	LENGTH "X"
I/O INTERCONNECT	

THIRD ANGLE PROJECTION	SYMBOL
UNLESS OTHERWISE NOTED: 1) DIMENSIONS ARE IN INCHES (MILLIMETER) 2) TOLERANCES: X.XX ± 0.25 (6.35)	
REV. XI	DATE
03/24/99	
SCALE: NONE	SHEET 1 OF 1

- NOTES: UNLESS OTHERWISE SPECIFIED.
- CABLE TO BE BUNDLED AND TWIST TIED.
  - TEST CABLE FOR ALL OPENS & SHORTS.
  - PACKAGE CABLE ASSEMBLY INDIVIDUALLY IN PLASTIC BAG. PACKAGE INDIVIDUAL BAG PER LOT NUMBER QUANTITIES.

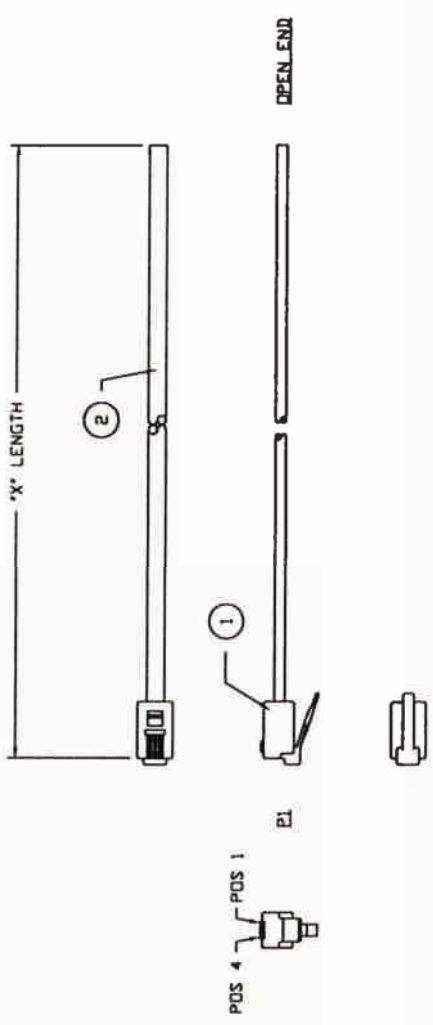
ITEM	QTY	MFG.	IOI PART NO.	DESCRIPTION
2	"X"	IOI	120-410-010	MODULAR CABLE, 26 AWG (7/34) BARE COPPER, 4 CONDUCTOR, UNSHIELDED, BLACK PVC.
1	1 PC	IOI	325-441-50X	CONNECTOR, MODULAR PLUG, 4 POSITION, 4 CONDUCTOR, 50u" Au, FLAT TYPE EXIT.

CABLE ASSEMBLY PARTS LIST

REV. XI	DATE	APPROVED
03/24/99		E.V.
DWG. NO.	ZONE	
XX4-S21-D		

A	B	C	D	E	F	G	H
DVG. NO. XX4-520-D		ZONE	REV. XI	DESCRIPTION	CUSTOMER APPROVAL	DATE	APPROVED
XX4-520-D						03/24/99	E.V.

THESE DRAWINGS AND SPECIFICATIONS ARE THE SOLE PROPERTY OF I/O INTERCONNECT INC. NO REPRODUCTION OR USE IN ANY MANNER WITHOUT THE WRITTEN CONSENT OF I/O INTERCONNECT INC OR ITS AFFILIATED SUBSIDIARIES.



WIRE DIAGRAM

PI	1	BLACK	OPEN END
	2	RED	
	3	GREEN	
	4	YELLOW	

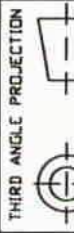
CUSTOMER APPROVAL  
 ENGR. SIGN Math James  
 DATE: 4-17-99

H3443-25-ND  
 H3443-14-ND  
 H3443-07-ND

- NOTES: UNLESS OTHERWISE SPECIFIED.
1. CABLE TO BE BUNDLED AND TWIST TIED.
  2. TEST CABLE FOR ALL OPENS & SHORTS.
  3. PACKAGE CABLE ASSEMBLY INDIVIDUALLY IN PLASTIC BAG. PACKAGE INDIVIDUAL BAG PER LOT NUMBER QUANTITIES.

444-254-520-D	25.0 FT ± 4.0 IN 7.62 M ± 101.6 MM
444-144-520-D	14.0 FT ± 3.0 IN 4.27 M ± 76.2 MM
444-074-520-D	7.0 FT ± 2.0 IN 2.13 M ± 50.8 MM

PART NUMBER	LENGTH 'X'
I/O INTERCONNECT	



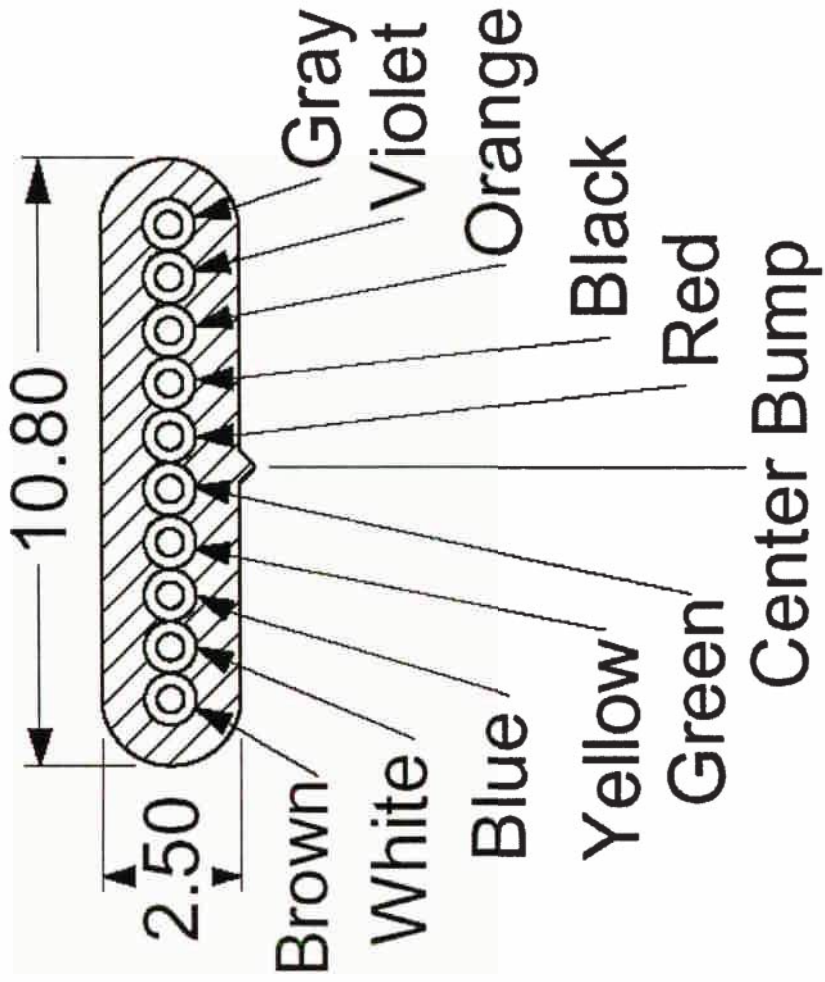
THIRD ANGLE PROJECTION

TITLE	SANTA ANA, CALIFORNIA
DESCRIPTION	4P4C MODULAR TO OPEN END SILVER SATIN, CABLE ASSEMBLY
PART NO.	444-XX4-520-D
DWG NO.	444-XX4-520-D
CUSTOMER	DIGI KEY
SCALE	NONE
SHEET	1 OF 1

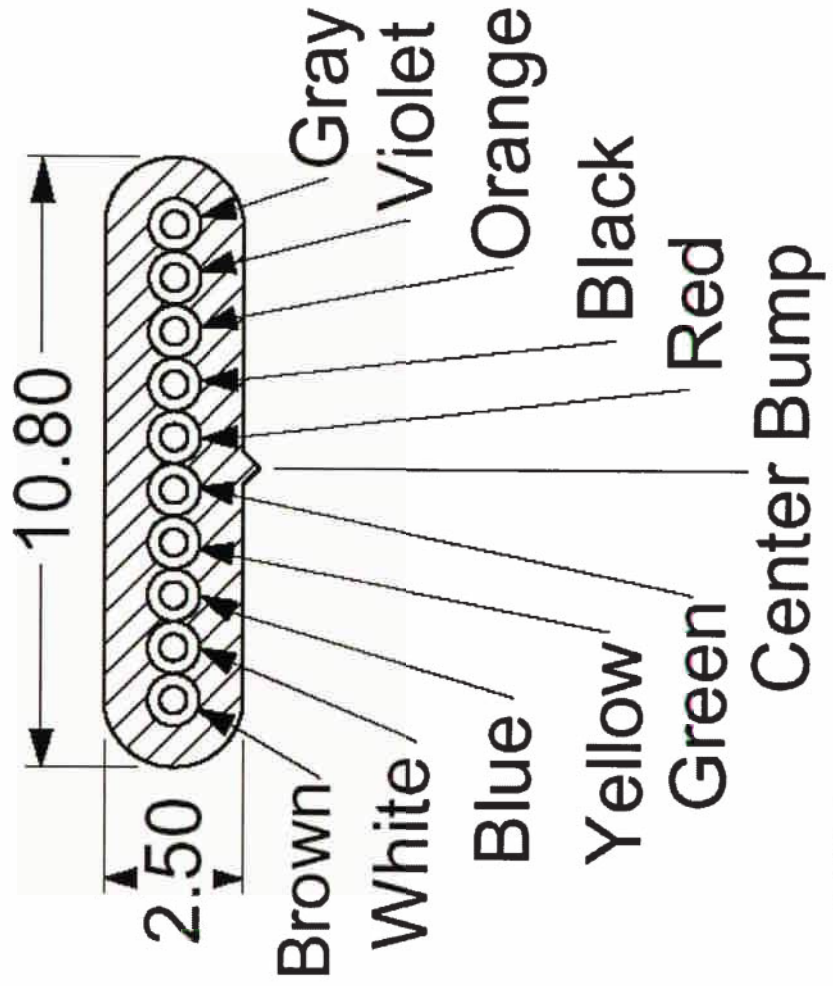
2	*X"	120-410-000	MODULAR CABLE, 26 AVG (7/34) BARE COPPER, 4 CONDUCTOR, UNSHIELDED, SILVER SATIN PVC.
1	1 PC	325-441-50X	CONNECTOR, MODULAR PLUG, 4 POSITION, 4 CONDUCTOR, 50L" AV, FLAT TYPE EXIT.
ITEM	QTY	MFG.	DESCRIPTION
		IOI PART NO.	

CABLE ASSEMBLY PARTS LIST

# View Ridge Up 10-Conductor Cable

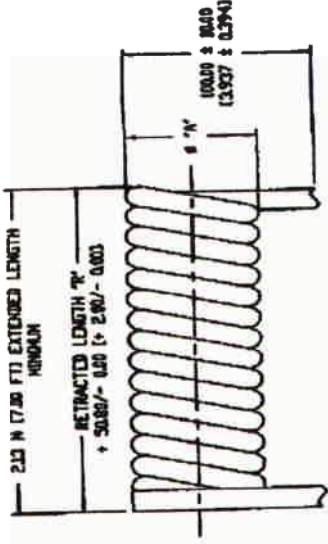


# View Ridge Up 10-Conductor Cable



DATE	REV.	DESCRIPTION	DATE	APPROVED
8/19/98	E	ECN 8435	8/19/98	R.Z.

THIS DRAWING AND SPECIFICATIONS ARE THE SOLE PROPERTY OF I/O INTERCONNECT INC. ALL RIGHTS ARE RESERVED. NO PART OF THIS DRAWING OR SPECIFICATIONS MAY BE REPRODUCED OR TRANSMITTED IN ANY FORM OR BY ANY MEANS WITHOUT THE WRITTEN CONSENT OF I/O INTERCONNECT INC. OR ITS AFFILIATED COMPANIES.



REEL SPECIFICATION

NOTES UNLESS OTHERWISE SPECIFIED.

- 1.0 MATERIAL AND SPECIFICATIONS
- 1.1 CONDUCTORS: 26 AWG (0.254 mm) STRANDED BARE COPPER
- 1.2 INSULATION: POLYPROPYLENE
- 1.3 COLOR: PER CALLOUT
- 1.4 PACKAGING: (SEE PAGE 2)
- 2.0 ELECTRICAL CHARACTERISTICS
- 2.1 TEMPERATURE & VOLTAGE RATING: 30 V
- 2.2 CONDUCTORS RESISTANCE: 160 OHM/KM MAX AT 20°C
- 2.3 INSULATION RESISTANCE: 100 MEGOHM/KM MIN AT 20°C
- 2.4 CAPACITANCE: 15 PF/FT (450)
- 2.5 DIELECTRIC TEST: AC-50KV PER 1 MINUTE
- 3.0 PACKAGING SPECIFICATION
- 3.1 USE CLEAR TAPE TO BUNDLE 25 CABLES TOGETHER AT THE END SECTION
- 3.2 PLACE PLASTIC BAG IN SHIPPING BOX AND LAY 10 BUNDLE OR 250 PIECES MAX PER SHIPPING BOX. CLOSE PLASTIC BAG AND SEAL BOX ALONG 3 SURFACES WITH TAPE.

4	53340	(23.000)	L=13.00" X W=55.00" X H=9.00"
5	51960	(24.000)	L=13.00" X W=55.00" X H=9.00"
6	7120	(28.000)	L=13.00" X W=60.00" X H=9.00"
10	7874	(31.000)	L=13.00" X W=60.00" X H=9.00"
CONDUCTORS		MILLIMETERS	DIMENSION MAX.
NUMBER OF		RETRACTED LENGTH IN.	OUTSIDE SHIPPING BOX

**I/O INTERCONNECT**  
SANTA ANA, CALIFORNIA

UNLESS OTHERWISE NOTED:  
 1) DIMENSIONS ARE IN MILLIMETER (INCHES)  
 2) TOLERANCES:  
 XX ± 0.25 (0.010)  
 XXX ± 0.25 (0.010)

THIS DRAWING IS THE PROPERTY OF I/O INTERCONNECT INC. ALL RIGHTS ARE RESERVED. NO PART OF THIS DRAWING OR SPECIFICATIONS MAY BE REPRODUCED OR TRANSMITTED IN ANY FORM OR BY ANY MEANS WITHOUT THE WRITTEN CONSENT OF I/O INTERCONNECT INC. OR ITS AFFILIATED COMPANIES.

DATE: 8/19/98  
 DRAWN BY: [Name]  
 CHECKED BY: [Name]  
 PART NO: IO-210-010  
 QTY: 170  
 INTERCONNECT  
 SHEET 2 OF 2