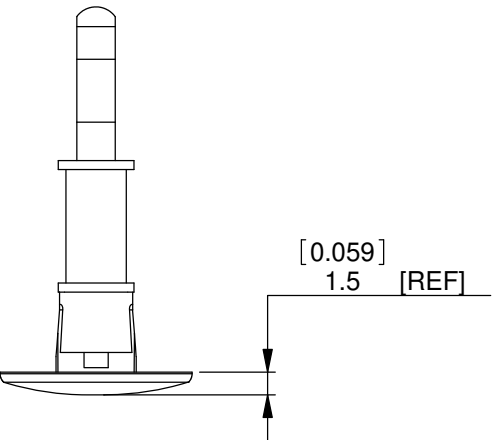
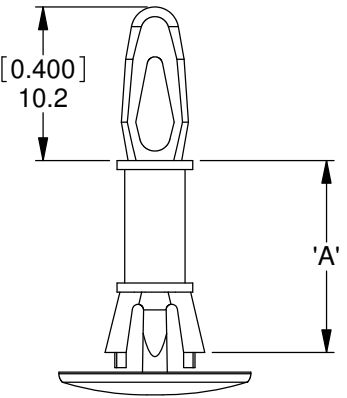
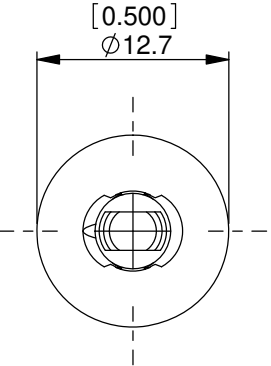


REV.	MODIFICATION.	DATE	DRN
01	NEW DWG, ECN07-182	09/10/07	NJB
02	CO2011100	25/02/11	SF

TOP HOLE: TO SNAP FIT INTO A  $\phi 4.0 \pm 0.08$  [.156 ± .003] HOLE, IN A 1.6 [.062] THICK BOARD.



BOTTOM HOLE: TO SNAP LOCK IN A  $\phi 5.4 \pm 0.08$  [.213 ± .003] HOLE, IN A 1.2-2.0 [.047-.079] PANEL THICKNESS.

INFORMATION CONTAINED IN THIS DOCUMENT IS CONFIDENTIAL TO RICHCO INTERNATIONAL Co. Ltd. AND MAY NOT BE DISCLOSED OR REPRODUCED IN WHOLE OR PART WITHOUT THEIR WRITTEN CONSENT.

**RICHCO, INC.**  
WWW.RICHCO-INC.COM

GENERAL TOLERANCES  $\pm 0.25$  [0.010]  
UNLESS OTHERWISE STATED  
1 DECIMAL PLACE  $\pm$   
2 DECIMAL PLACES  $\pm$   
ANGULAR  $\pm 1^\circ$

THIRD ANGLE

Nylon 6/6 UL 94 V-2 (RMS-01) COLOUR: NATURAL	Nylon 6/6 UL 94 V-0 (RMS-19) COLOUR: NATURAL	"A" $\pm 0.4$ [.016]
CRCBSRE-3-01	CRCBSRE-3-19	4.8 [.188]
CRCBSRE-4-01	CRCBSRE-4-19	6.4 [.251]
CRCBSRE-6-01	CRCBSRE-6-19	9.5 [.374]
CRCBSRE-8-01	CRCBSRE-8-19	12.7 [.500]
CRCBSRE-10-01	CRCBSRE-10-19	15.9 [.625]
BLACK AVAILABLE BY SPECIAL ORDER ADD -BK TO END OF PART NUMBER		

MATERIAL: <b>SEE TABLE</b>		COLOUR: <b>NATURAL</b>	
DESCRIPTION: REVERSE LOCKING CIRCUIT BOARD SUPPORT		PART No: <b>SEE TABLE</b>	
DRG No: <b>07-105</b>	NPR No: <b>N/A</b>	SHEET SIZE <b>A4</b>	
DRN <b>NJB</b>	DATE <b>09/10/07</b>	CHKD <b>SF</b>	DATE <b>09/10/07</b>
SCALE <b>NTS</b>	SHEET No. <b>1 OF 1</b>		