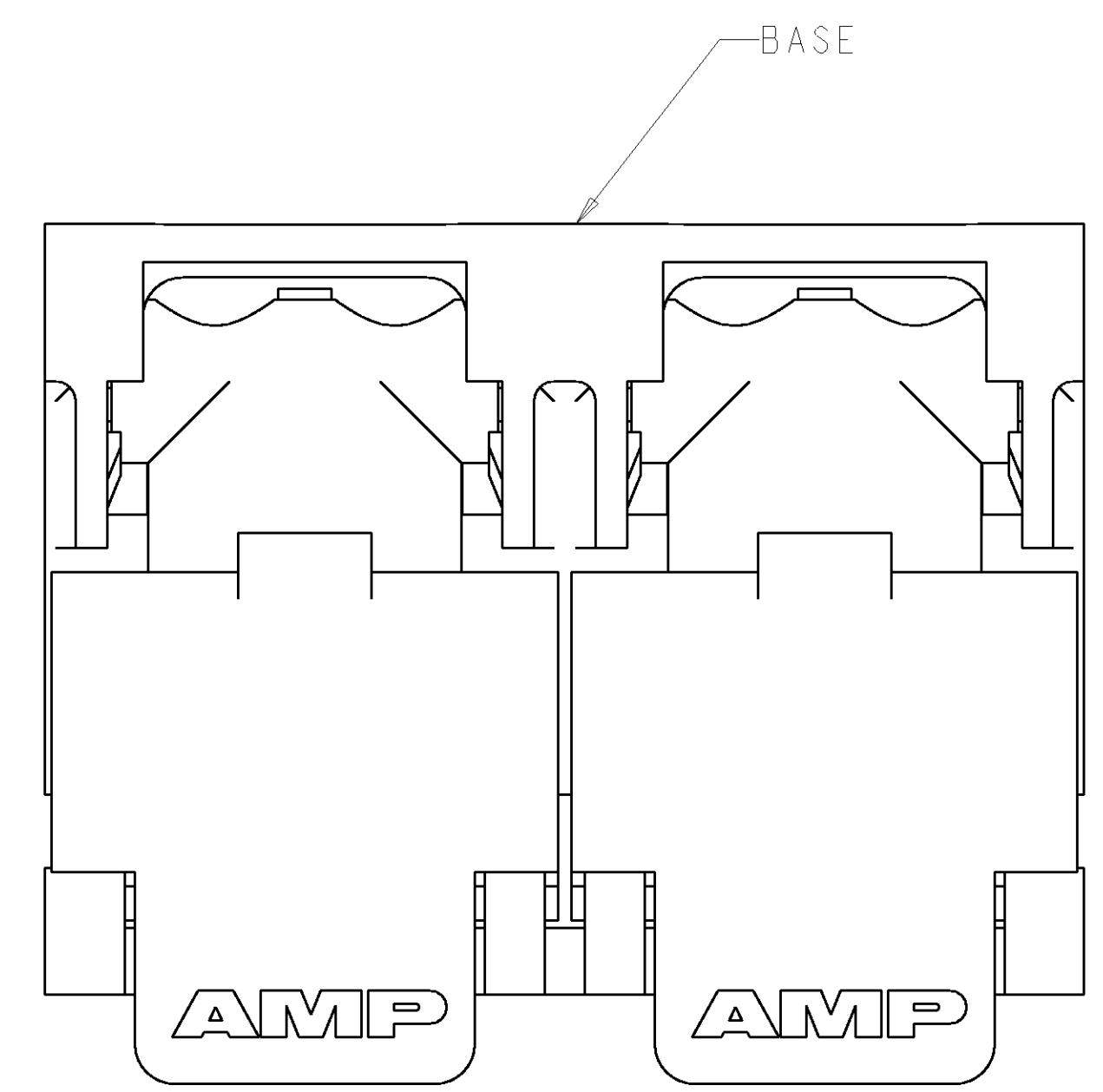
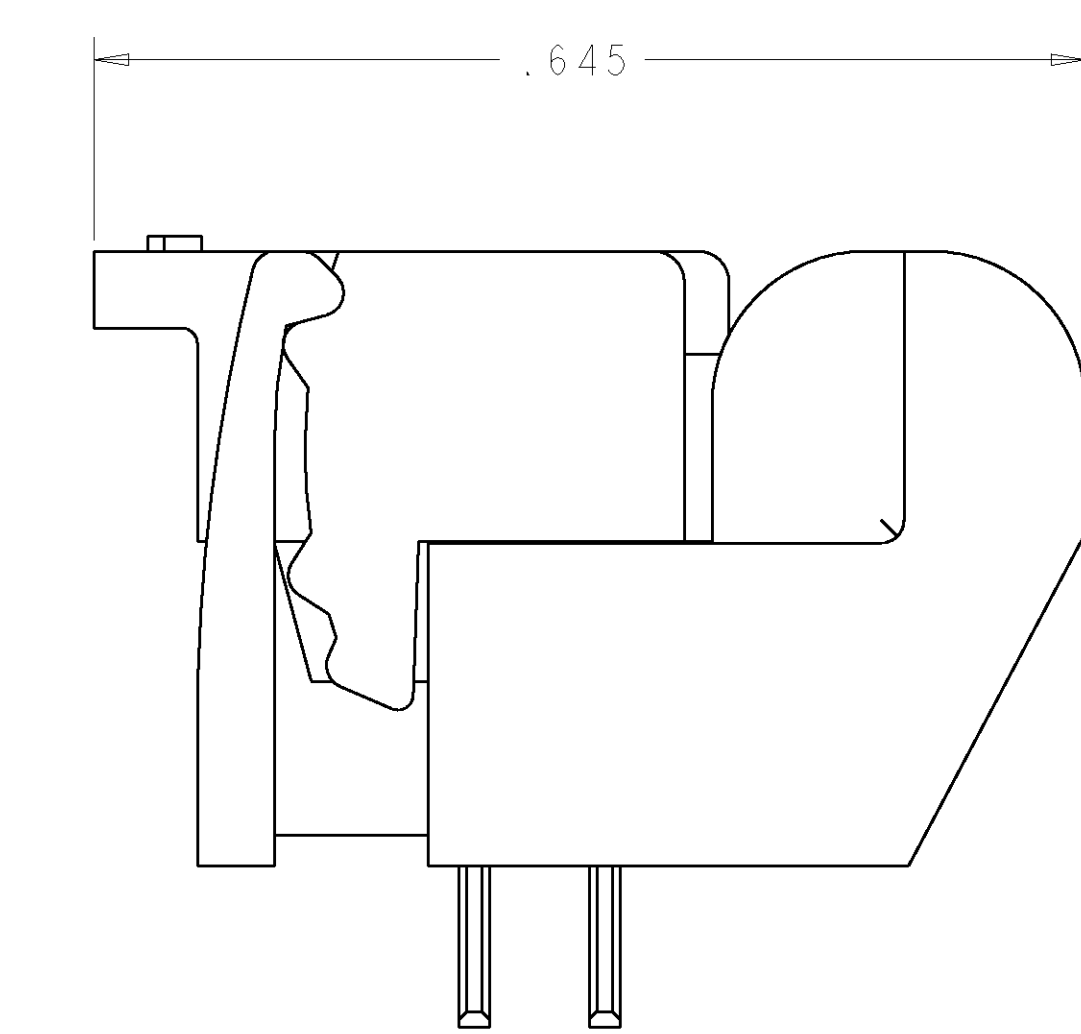
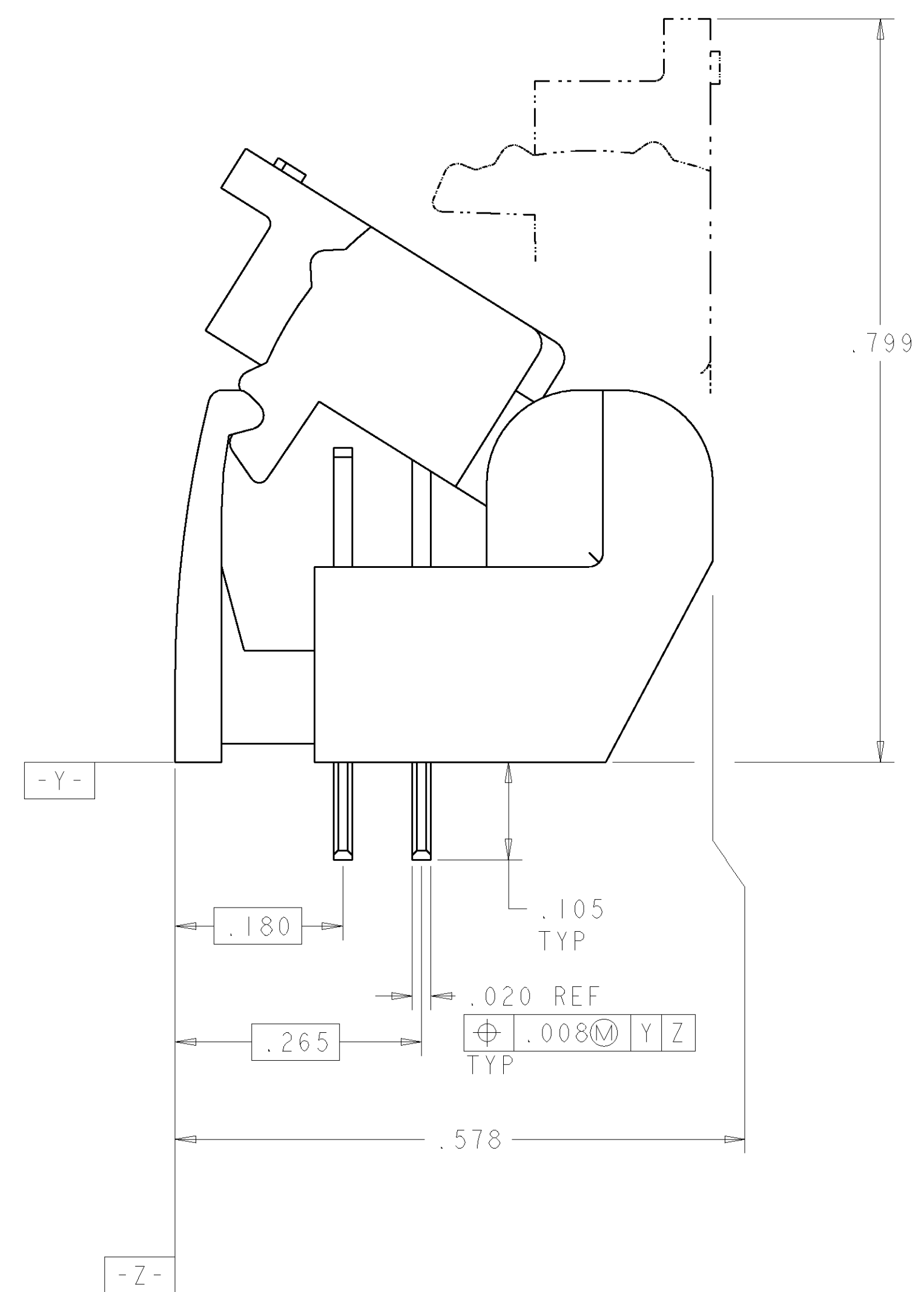


LOC	DIST	REVISIONS					
GP	0	F	LTN	DESCRIPTION	DATE	DWN	APPD
		B		REV: EC OUI C-0007-01	22JAN01	JA	TW
		C		REVISED PER EC 0S15-0450-02	21JAN2003	DLD	RPM
		D		REVISED PER EC 0S15-0324-03	05DEC03	JB	CF

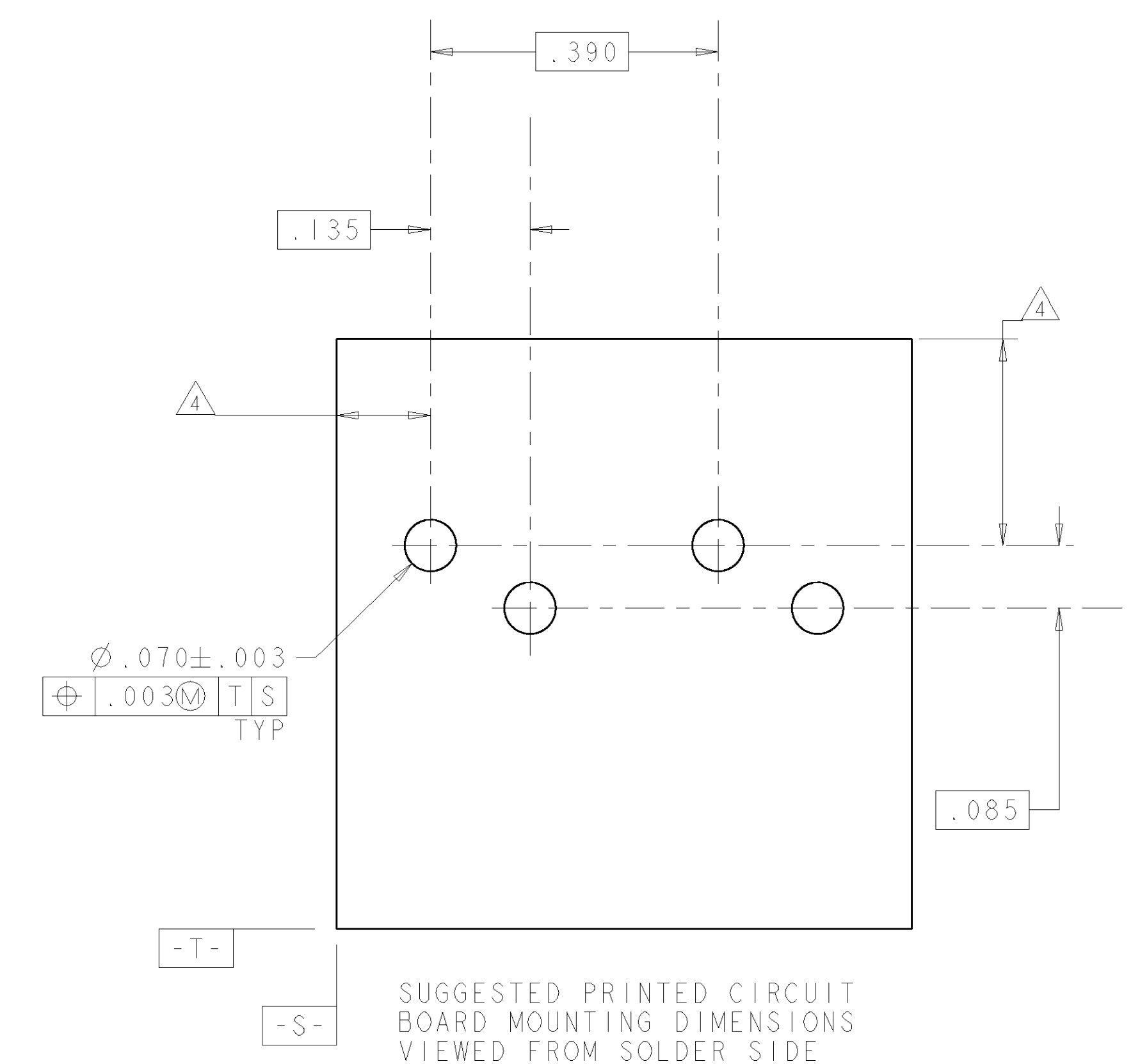
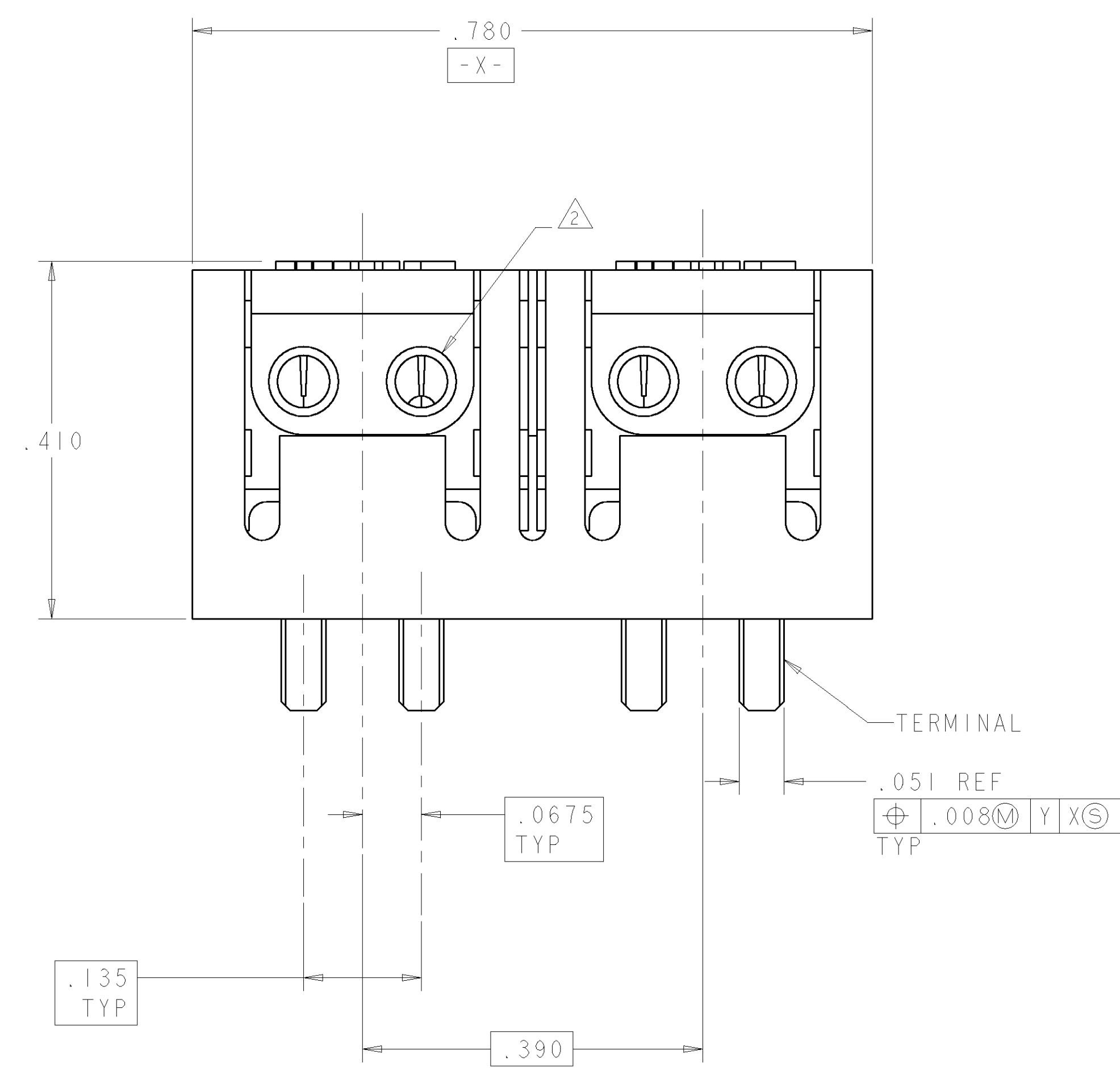


WIRE STUFFER



CLOSED POSITION

- 1 MATERIAL: BASE - POLYESTER MOLDING COMPOUND, BLACK.
WIRE STUFFER: - POLYESTER MOLDING COMPOUND, RED.
TERMINAL - COPPER ALLOY, PLATED WITH 3.81µm MINIMUM THICK TIN OVER 1.27µm MINIMUM THICK NICKEL UNDERPLATE.
- 2 EACH WIRE ENTRY HOLE ACCEPTS ONE UNSTRIPPED SOLID COPPER 22-26 AWG WIRE WITH WIRE INSULATION DIAMETER RANGE FROM .060 THROUGH .040. OTHER WIRE SIZES AND TYPES SHALL BE SUBMITTED TO AMP ENGINEERS FOR APPLICATION APPROVAL.
- 3. SOLDER TABS PROVIDED FOR PERMANENT BOARD MOUNTING.
- 4 LOCATION OF HOLE PATTERN DETERMINED BASED ON CUSTOMER REQUIREMENTS.



SUGGESTED PRINTED CIRCUIT BOARD MOUNTING DIMENSIONS VIEWED FROM SOLDER SIDE

1339343-1
PART NUMBER

<small>THIS DRAWING IS UNPUBLISHED. RELEASED FOR PUBLICATION. COPYRIGHT 19 BY AMP INCORPORATED. ALL RIGHTS RESERVED.</small>		DWN	J. AHERON	05SEP00	AMP Incorporated Harrisburg, PA 17105-3608
DIMENSIONS: INCHES TOLERANCES UNLESS OTHERWISE SPECIFIED: 0 PLC ± 1 PLC ±.01 2 PLC ±.01 3 PLC ±.005 4 PLC ± ANGLES ± FINISH -		CRW	-	-	
MATERIAL:		APVD	T. WOJCIACKI	05SEP00	NAME
FINISH:		PRODUCT SPEC	ASSEMBLY, DOUBLE PAIR, DOUBLE ENTRY, PIVOT II CONNECTOR		
WEIGHT:		APPLICATION SPEC	SIZE		
CUSTOMER DRAWING		WEIGHT	CAGE CODE		
SCALE: 6:1		WEIGHT	DRAWING NO		
SHEET 1 OF 1		WEIGHT	REV		