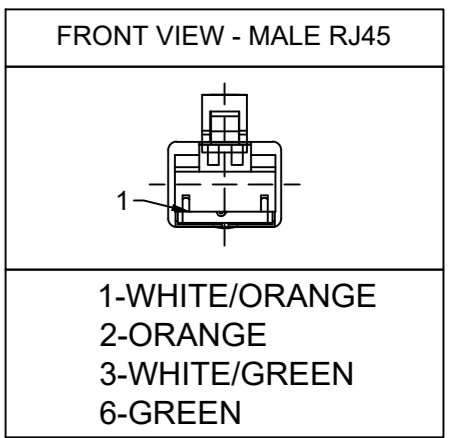
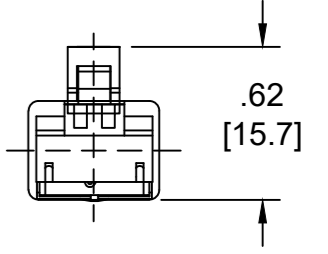
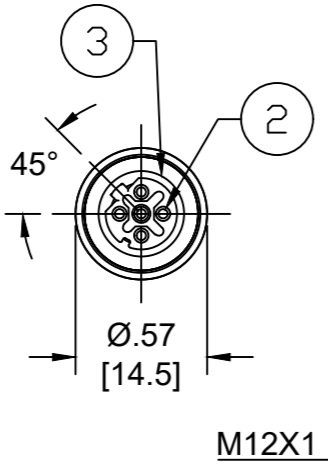
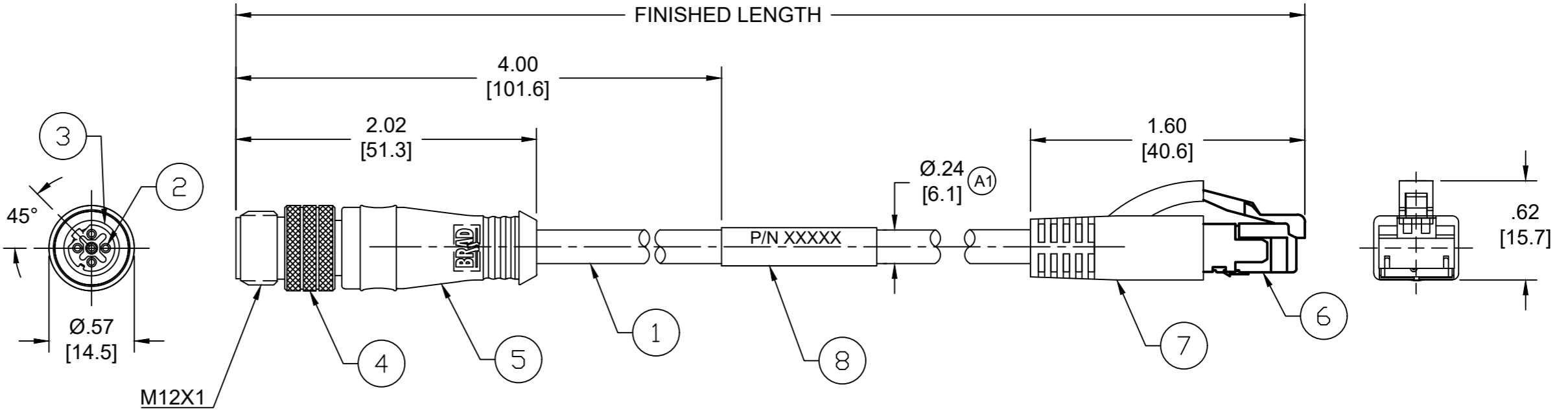


| PART NO | ENGINEERING NO. | FINISHED LENGTH |
|------------|-----------------|-------------------|
| 1300480309 | E16A06004M010 | 1M [3FT 3 IN] |
| 1300480406 | E16A06004M400 | 40M [131FT 3 IN] |
| 1300480377 | E16A06004M850 | 85M [278FT 10 IN] |



NOTES:

- MATERIAL: SEE TABLE
- FINISH: SEE TABLE
- ELECTRICAL:
VOLTAGE: 30V AC/DC
CURRENT: 1.5A
- TEMP RATING: -20°TO +75°C
- PROTECTION: IP67/69K (WHEN MATED)
- UL RECOGNIZED FILE: E200650 (A1)
- ALL DIMENSIONS ARE FOR REFERENCE UNLESS TOLERANCED OR NOTED OTHERWISE



MECHANICAL CHARACTERISTICS: (A1)

| | |
|-----------------|---|
| FLEX LIFE: | (126 CYCLES/MIN @ 20° C) 1 MILLION CYCLE TEST (10X CABLE O.D., MINIMUM RADIUS) 10 MILLION CYCLE TEST (20X CABLE O.D., MINIMUM RADIUS) |
| TORSIONAL FLEX: | (1 LB LOAD, 360°, 71 CYCLES/MIN @ 20° C) 3 MILLION CYCLE TEST |

PART NUMBER LEGEND
E16A06004M005
FINISHED LENGTH
M005 = 0.5 METER
M010 = 1 METER
M100 = 10 METER

(A1)

CABLE LENGTH TOLERANCES

| | |
|--------------------------|-------------------------|
| <.3M [1FT]: | +19mm-0 [+.75in-0] |
| .3 - .9M [1 - 3FT]: | +44.5mm-0 [+1.75in-0] |
| .9 - 1.8M [3 - 6FT]: | +55.6mm-0 [+2.19in-0] |
| 1.8 - 3.7M [6 - 12FT]: | +88.9mm-0 [+3.50in-0] |
| 3.7 - 7.3M [12 - 24FT]: | +165.1mm-0 [+6.50in-0] |
| 7.3-14.6M [24 - 48FT]: | +317.5mm-0 [+12.50in-0] |
| 14.6 - 30.5M [48-100FT]: | +622.3mm-0 [+24.50in-0] |
| OVER 30M [100FT] | +2% OF FINISHED LENGTH |

| ITEM | DESCRIPTION | MATERIAL | FINISH |
|------|-----------------------|---------------|------------------|
| 8 | WRAP LABEL | VINYL | BLACK/WHITE |
| 7 | RJ45 BOOT, HOODED | PVC | BLACK |
| 6 | RJ45 PLUG | POLYCARBONATE | TRANSPARENT |
| 5 | OVERMOLD | PUR | BLACK |
| 4 | COUPLING NUT | BRASS | NICKEL PLATED |
| 3 | INSERT | PUR | BLACK |
| 2 | CONTACT PIN | COPPER ALLOY | GOLD OVER NICKEL |
| 1 | CABLE, ETHERNET, 24-4 | TPE | TEAL |

| | | | | | |
|--|---|------------------------|--|---------------------------|---|
| FUNCTIONAL SYMBOLS | THIS DRAWING CONTAINS INFORMATION THAT IS PROPRIETARY TO MOLEX ELECTRONIC TECHNOLOGIES, LLC AND SHOULD NOT BE USED WITHOUT WRITTEN PERMISSION | | CURRENT REV DESC: ADDED BOM, UL NUMBER, CABLE DIA, MECH CHART, MATERIAL NUMBER TABLE & TOL CHART | | |
| | DIMENSION UNITS | SCALE | | | |
| $\nabla_F=0$ $\nabla_C=0$ $\nabla_P=0$ | INCH/MM | NTS | DRWN: ABENJAMINLW 2021/10/01 | | MIC D-CODE / ETHERNET 4P M12 MALE/RJ45 MALE, STRAIGHT #24-4 TPE HI-FLEX |
| | GENERAL TOLERANCES (UNLESS SPECIFIED) | | CHK'D: RSTONE 2022/04/27 | | |
| DIVISIONAL SYMBOLS | 4 PLACES | ±---- | ±---- | APPR: BWOODMAN 2022/05/04 | PRODUCT CUSTOMER DRAWING |
| | 3 PLACES | ±---- | ±---- | INITIAL REVISION: | |
| $\nabla_F=0$ $\nabla_C=0$ $\nabla_P=0$ | 2 PLACES | ±---- | ±---- | DRWN: BARDEN 2014/02/19 | DOCUMENT NUMBER SD-130048-009 |
| | 1 PLACE | ±---- | ±---- | APPR: JFMURPHY 2014/03/13 | |
| 0 PLACES | ±---- | ±---- | ±---- | ANGULAR TOL ± ---- ° | DOC TYPE/DOC PART/REVISION PSD 001 A1 |
| DRAFT WHERE APPLICABLE MUST REMAIN WITHIN DIMENSIONS | | THIRD ANGLE PROJECTION | | DRAWING | SHEET NUMBER |
| | | | | B-SIZE | 130048 |
| | | | | MATERIAL NUMBER | CUSTOMER |
| | | | | SEE CHART | GENERAL MARKET |
| | | | | 1 OF 1 | |