



AK4424

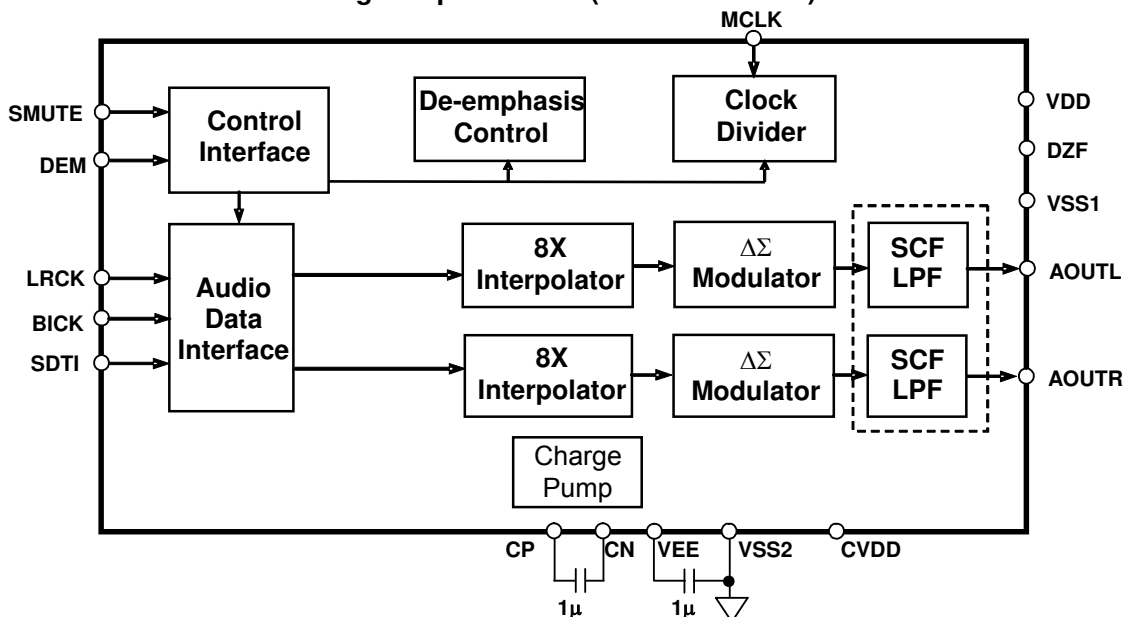
192kHz 24-Bit Stereo $\Delta\Sigma$ DAC with 2Vrms Output

GENERAL DESCRIPTION

The AK4424 is a 5V 24-bit stereo DAC with an integrated 2Vrms output buffer. A charge pump in the buffer develops an internal negative power supply rail that enables a ground-referenced 2Vrms output. Using AKM's multi bit modulator architecture, the AK4424 delivers a wide dynamic range while preserving linearity for improved THD+N performance. The AK4424 integrates a combination of switched-capacitor and continuous-time filters, increasing performance for systems with excessive clock jitter. The 24-bit word length and 192kHz sampling rate make this part ideal for a wide range of consumer audio applications, such as DVD, AV receiver system and set-top boxes. The AK4424 is offered in a space saving 16pin TSSOP package.

FEATURES

- Sampling Rate Ranging from 8kHz to 192kHz
- 128 times Oversampling (Normal Speed Mode)
- 64 times Oversampling (Double Speed Mode)
- 32 times Oversampling (Quad Speed Mode)
- 24-Bit 8 times FIR Digital Filter
- Switched-Capacitor Filter with High Tolerance to Clock Jitter
- Single Ended 2Vrms Output Buffer
- Digital de-emphasis
- Soft mute
- I/F format: I^2S
- Master clock: 512fs, 768fs or 1152fs (Normal Speed Mode)
256fs or 384fs (Double Speed Mode)
128fs, 192fs (Quad Speed Mode)
- THD+N: -92dB
- Dynamic Range: 105dB
- Automatic Power-on Reset Circuit
- Power supply: +4.5 ~ +5.5V
- Ta = -20 to 85°C
- Small Package: 16pin TSSOP (6.4mm x 5.0mm)



■ Ordering Guide

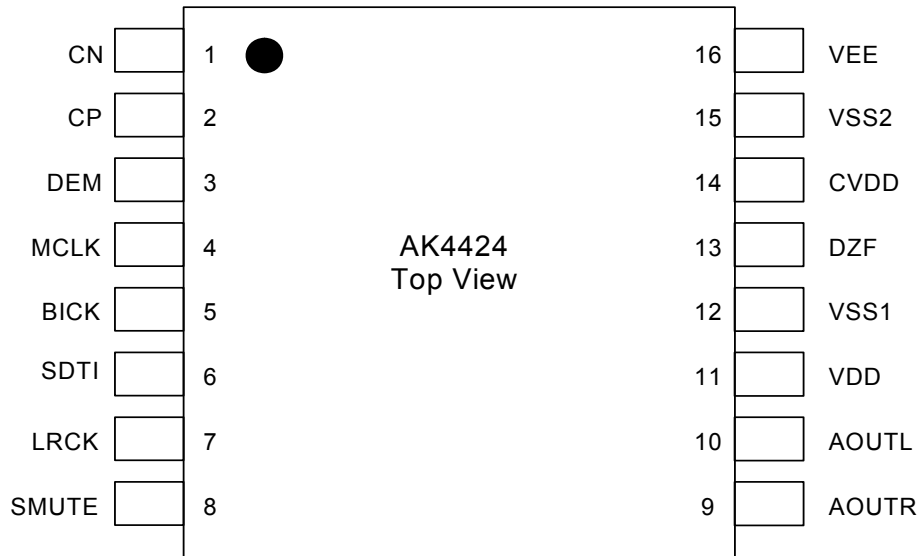
AK4424ET
AKD4424

-20 ~ +85°C

16pin TSSOP (0.65mm pitch)

Evaluation Board for AK4424

■ Pin Layout



■ Main Difference Between AK4420, AK4421 and AK4424

		AK4420	AK4421	AK4424
Digital de-emphasis		-	-	X
I/F format		24-bit MSB justified I ² S	24-bit MSB justified I ² S	I ² S
Pin out	Pin#3	SMUTE	SMUTE	DEM
	Pin#8	DIF	DIF	SMUTE
Power Supply		+4.5 ~ +5.5V	+3.0 ~ +3.6V	+4.5 ~ +5.5V
THD+N		-92dB	-92dB (-3dBFS)	-92dB
DR		105dB	102dB	105dB
Operating Temperature		ET: -20 ~ +85°C VT: -40 ~ +85°C	ET: -20 ~ +85°C	ET: -20 ~ +85°C

-: Not available
X: Available

PIN/FUNCTION

No.	Pin Name	I/O	Function
1	CN	I	Negative Charge Pump Capacitor Terminal Pin Connect to CP with a 1.0 μ F capacitor that should have the low ESR (Equivalent Series Resistance) over all temperature range. When this capacitor has the polarity, the positive polarity pin should be connected to the CP pin. Non polarity capacitors can also be used.
2	CP	I	Positive Charge Pump Capacitor Terminal Pin Connect to CN with a 1.0 μ F capacitor that should have the low ESR (Equivalent Series Resistance) over all temperature range. When this capacitor has the polarity, the positive polarity pin should be connected to the CP pin. Non polarity capacitors can also be used.
3	DEM	I	De-emphasis Mode Pin (Internal pull-down pin) When at "H", the de-emphasis filter is available.
4	MCLK	I	Master Clock Input Pin An external TTL clock should be input on this pin.
5	BICK	I	Audio Serial Data Clock Pin
6	SDTI	I	Audio Serial Data Input Pin
7	LRCK	I	L/R Clock Pin
8	SMUTE	I	Soft Mute Enable Pin "H": Enable, "L": Disable
9	AOUTR	O	Rch Analog Output Pin When power down, outputs VSS(0V, typ).
10	AOUTL	O	Lch Analog Output Pin When power down, outputs VSS(0V, typ).
11	VDD	-	DAC Power Supply Pin: 4.5V~5.5V
12	VSS1	-	Ground Pin1
13	DZF	O	Zero Input Detect Pin
14	CVDD	-	Charge Pump Power Supply Pin: 4.5V~5.5V
15	VSS2	-	Ground Pin2
16	VEE	O	Negative Voltage Output Pin Connect to VSS2 with a 1.0 μ F capacitor that should have the low ESR (Equivalent Series Resistance) over all temperature range. When this capacitor has the polarity, the positive polarity pin should be connected to the VSS2 pin. Non polarity capacitors can also be used.

Note: All input pins except for the CN pin should not be left floating.

ABSOLUTE MAXIMUM RATINGS

(VSS1=VSS2=0V; [Note 1](#))

Parameter	Symbol	min	max	Units
Power Supply	VDD	-0.3	+6.0	V
	CVDD	-0.3	+6.0	V
Input Current (any pins except for supplies)	IIN	-	±10	mA
Input Voltage	VIND	-0.3	VDD+0.3	V
Ambient Operating Temperature	Ta	-20	85	°C
Storage Temperature	Tstg	-65	150	°C

Note 1. All voltages with respect to ground.

Note 2. VSS1, VSS2 connect to the same analog ground.

WARNING: Operation at or beyond these limits may result in permanent damage to the device.

Normal operation is not guaranteed at these extremes.

RECOMMENDED OPERATING CONDITIONS

(VSS1=VSS2=0V; [Note 1](#))

Parameter	Symbol	min	typ	max	Units
Power Supply	VDD	+4.5	+5.0	+5.5	V
	CVDD		VDD		

Note 3. CVDD should be equal to VDD

*AKM assumes no responsibility for the usage beyond the conditions in this datasheet.

ANALOG CHARACTERISTICS

(Ta = 25°C; VDD=CVDD = +5.0V; fs = 44.1 kHz; BICK = 64fs; Signal Frequency = 1 kHz;
24bit Input Data; Measurement frequency = 20Hz ~ 20kHz; Ri ≥5kΩ)

Parameter	min	typ	max	Units	
Resolution			24	Bits	
Dynamic Characteristics (Note 4)					
THD+N (0dBFS)	fs=44.1kHz, BW=20kHz		-92	-84	dB
	fs=96kHz, BW=40kHz		-92	-	dB
	fs=192kHz, BW=40kHz		-92	-	dB
Dynamic Range (-60dBFS with A-weighted. (Note 5))	98	105		dB	
S/N (A-weighted. (Note 6))	98	105		dB	
Interchannel Isolation (1kHz)	90	100		dB	
Interchannel Gain Mismatch		0.2	0.5	dB	
DC Accuracy					
DC Offset (at output pin)	-60	0	+60	mV	
Gain Drift		100	-	ppm/°C	
Output Voltage (Note 7)	1.97	2.12	2.27	Vrms	
Load Capacitance (Note 8)			25	pF	
Load Resistance	5			kΩ	
Power Supplies					
Power Supply Current: (Note 9)					
Normal Operation (fs≤96kHz)		24	36	mA	
Normal Operation (fs=192kHz)		27	40	mA	
Power-Down Mode (Note 10)		10	100	μA	

Note 4. Measured by Audio Precision (System Two). Refer to the evaluation board manual.

Note 5. 98dB for 16bit input data

Note 6. S/N does not depend on input data size.

Note 7. Full-scale voltage (0dB). Output voltage is proportional to the voltage of VDD,

$$A_{OUT} (\text{typ.}@0\text{dB}) = 2.12V_{\text{rms}} \times VDD/5.$$

Note 8. In case of driving capacitive load, inset a resistor between the output pin and the capacitive load.

Note 9. The current into VDD and CVDD.

Note 10. All digital inputs including clock pins (MCLK, BICK and LRCK) are fixed to VSS or VDD

FILTER CHARACTERISTICS

(Ta = 25°C; VDD=CVDD = +4.5 ~ +5.5V; fs = 44.1 kHz)

Parameter	Symbol	min	typ	max	Units	
Digital filter (DEM = OFF)						
Passband	±0.05dB (Note 11) -6.0dB	PB	0	22.05	20.0	
			-		-	
Stopband (Note 11)		SB	24.1		kHz	
Passband Ripple		PR		± 0.02	dB	
Stopband Attenuation		SA	54		dB	
Group Delay (Note 12)		GD	-	19.3	1/fs	
De-emphasis Filter (DEM = ON)						
De-emphasis Error (Relative to 0Hz)	fs = 32kHz		-	-	-1.5/0	
	fs = 44.1kHz		-	-	-0.2/+0.2	
	fs = 48kHz		-	-	0/+0.6	
Digital Filter + LPF (DEM = OFF)						
Frequency Response	20.0kHz	fs=44.1kHz	FR	-	± 0.05	dB
	40.0kHz	fs=96kHz	FR	-	± 0.05	dB
	80.0kHz	fs=192kHz	FR	-	± 0.05	dB

Note 11. The passband and stopband frequencies scale with fs(system sampling rate).

For example, PB=0.4535×fs (@±0.05dB), SB=0.546×fs.

Note 12. Calculated delay time caused by digital filter. This time is measured from setting the 16/24bit data of both channels to input register to the output of the analog signal.

DC CHARACTERISTICS

(Ta = 25°C; VDD=CVDD = +4.5 ~ +5.5V)

Parameter	Symbol	min	typ	max	Units
High-Level Input Voltage	VIH	2.2	-	-	V
Low-Level Input Voltage	VIL	-	-	0.8	V
High-Level Input Voltage (Iout = -80uA)	VIH	VDD-0.4	-	-	V
Low-Level Input Voltage (Iout = 80uA)	VIL	-	-	0.4	V
Input Leakage Current (Note 13)	Iin	-	-	± 10	μA

Note 13. The DEM pin is not included. The DEM pin has internal pull-down resistor. (typ.100kΩ)

SWITCHING CHARACTERISTICS

(Ta = 25°C; VDD=CVDD = +4.5 ~ +5.5V)

Parameter	Symbol	min	Typ	max	Units
Master Clock Frequency	fCLK	4.096	11.2896	36.864	MHz
Duty Cycle	dCLK	30		70	%
LRCK Frequency					
Normal Speed Mode	f _{sn}	8		48	kHz
Double Speed Mode	f _{sd}	32		96	kHz
Quad Speed Mode	f _{sq}	120		192	kHz
Duty Cycle	Duty	45		55	%
Audio Interface Timing					
BICK Period					
Normal Speed Mode	t _{BCK}	1/128f _{sn}			ns
Double Speed Mode	t _{BCK}	1/64f _{sd}			ns
Quad Speed Mode	t _{BCK}	1/64f _{sq}			ns
BICK Pulse Width Low	t _{BCKL}	30			ns
Pulse Width High	t _{BCKH}	30			ns
BICK “↑” to LRCK Edge (Note 14)	t _{BLR}	20			ns
LRCK Edge to BICK “↑” (Note 14)	t _{LRB}	20			ns
SDTI Hold Time	t _{SDH}	20			ns
SDTI Setup Time	t _{SDS}	20			ns

Note 14. BICK rising edge must not occur at the same time as LRCK edge.

■ Timing Diagram

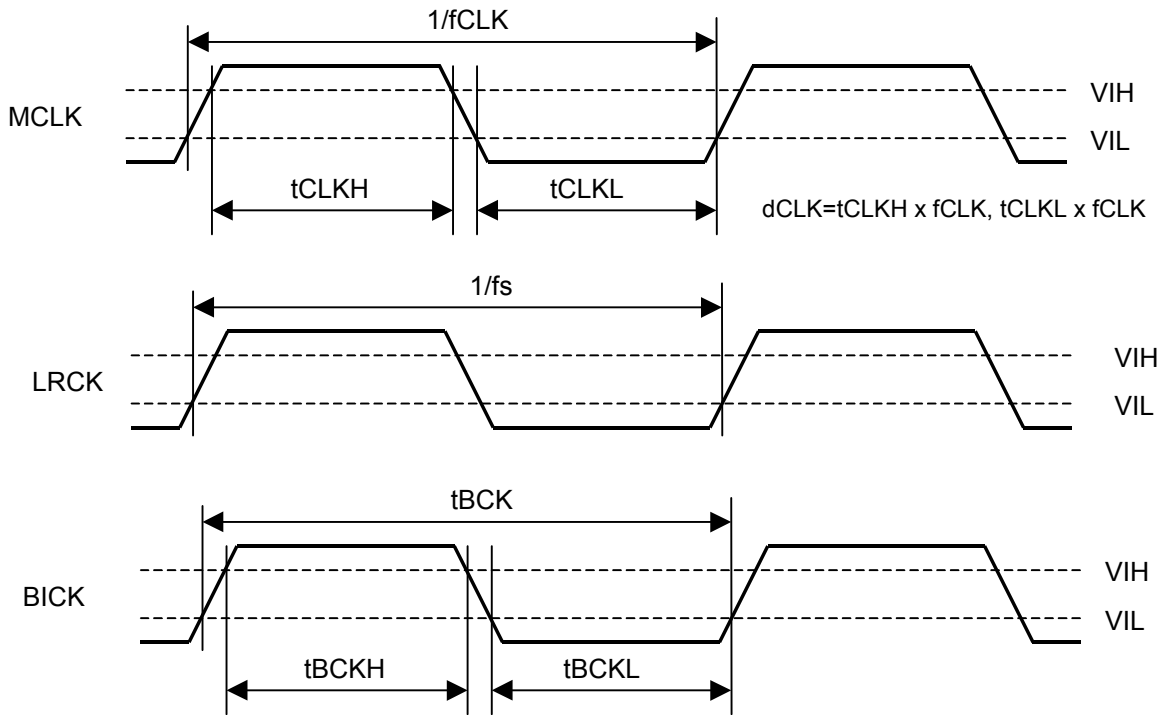


Figure 1. Clock Timing

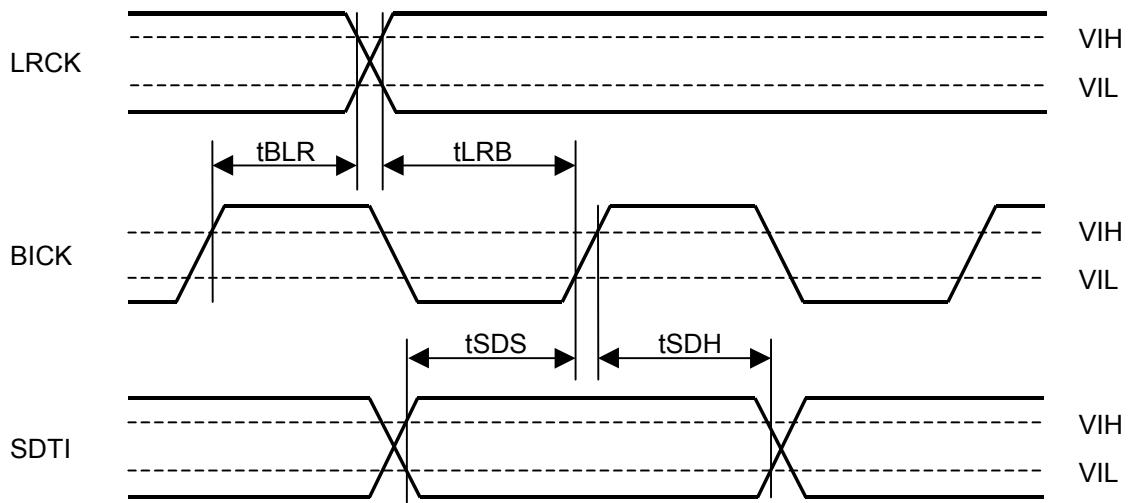


Figure 2. Serial Interface Timing

OPERATION OVERVIEW

■ System Clock

The external clocks required to operate the AK4424 are MCLK, LRCK and BICK. The master clock (MCLK) should be synchronized with LRCK but the phase is not critical. The MCLK is used to operate the digital interpolation filter and the delta-sigma modulator. Sampling speed and MCLK frequency are detected automatically and then the internal master clock is set to the appropriate frequency (Table 1).

The AK4424 is automatically placed in power saving mode when MCLK and LRCK stop during normal operation mode, and the analog output is forced to 0V(typ). When MCLK and LRCK are input again, the AK4424 is powered up. After power-up, the AK4424 is in the power-down mode until MCLK and LRCK are input.

LRCK fs	MCLK (MHz)							Sampling Speed
	128fs	192fs	256fs	384fs	512fs	768fs	1152fs	
32.0kHz	-	-	-	-	16.3840	24.5760	36.8640	Normal
44.1kHz	-	-	-	-	22.5792	33.8688	-	
48.0kHz	-	-	-	-	24.5760	36.8640	-	
32.0kHz			8.192	12.288				Double
44.1kHz			11.2896	16.9344				
48.0kHz			12.288	18.432				
88.2kHz	-	-	22.5792	33.8688	-	-	-	
96.0kHz	-	-	24.5760	36.8640	-	-	-	Quad
176.4kHz	22.5792	33.8688	-	-	-	-	-	
192.0kHz	24.5760	36.8640	-	-	-	-	-	

Table 1. system clock example

When MCLK= 256fs/384fs, the AK4424 supports sampling rate of 32kHz~96kHz (Table 1). But, when the sampling rate is 32kHz~48kHz, DR and S/N will degrade by approximately 3dB as compared to when MCLK= 512fs/768fs. (Table 2)

MCLK	DR,S/N
256fs/384fs	102dB
512fs/768fs	105dB

Table 2. Relationship between MCLK frequency and DR, S/N (fs= 44.1kHz)

■ Audio Serial Interface Format

The audio data is shifted in via the SDTI pin using the BICK and LRCK inputs. The AK4424 supports I²S format as shown in Table 3. The serial data is MSB-first, two's complement format and it is latched on the rising edge of BICK. It can be used for 16/20 bit I²S formats by zeroing the unused LSBs.

SDTI Format	BICK	Figure
24bit I ² S	≥48fs	Figure 3

Table 3. Audio Data Format

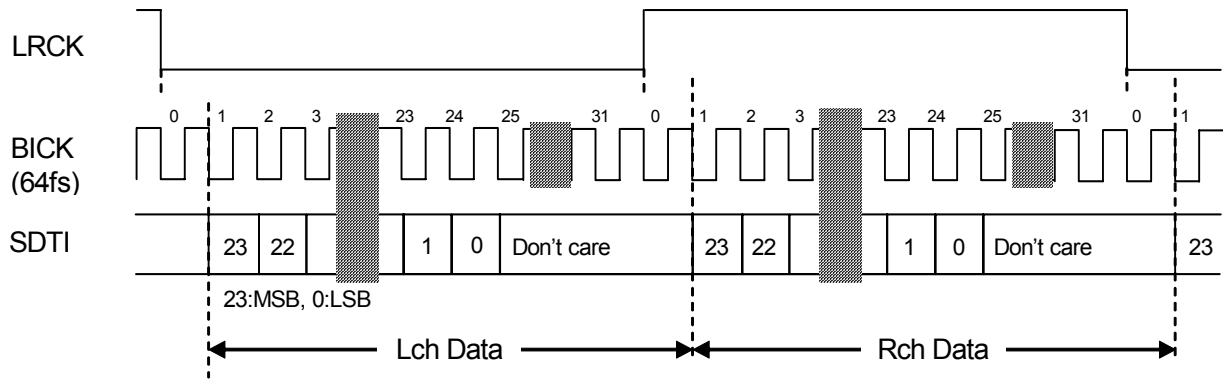


Figure 3. Audio Interface Timing

■ De-emphasis Filter

The AK4424 integrates digital de-emphasis filter ($t_c = 50/15\mu s$). The DEM pin which enables the digital de-emphasis filter by setting “H” is internal pull-down pin. Refer to the section of “[FILTER CHARACTERISTICS](#)” regarding the gain error when the de-emphasis filter is enabled. In case of double speed mode (MCLK=256fs/384fs) and quad speed mode (MCLK=128fs/192fs), the digital de-emphasis filter is always off.

DEM pin	De-emphasis Filter
1	ON
0	OFF

(default)

Table 4. De-emphasis Filter Control (Normal Speed Mode)

■ Zero detect function

When the input data for both channels are continuously zeros for 8192 LRCK cycles, the DZF pin is set to “H”. If the input data of Lch and Rch are continuously not zeros orderly, or if each Rch or Lch is continuously not zeros, the DZF pin immediately returns to “L”.

■ Analog Output Block

The internal negative power supply generation circuit (Figure 4) provides a negative power supply for the internal 2Vrms amplifier. It allows the AK4424 to output an audio signal centered at VSS (0V, typ) as shown in Figure 5. The negative power generation circuit (Figure 4) needs 1.0uF capacitors (Ca, Cb) with low ESR (Equivalent Series Resistance). If this capacitor is polarized, the positive polarity pin should be connected to the CP and VSS2 pins. This circuit operates by clocks generated from MCLK. When MCLK stops, the AK4424 is placed in the reset mode automatically and the analog outputs settle to VSS (0V, typ).

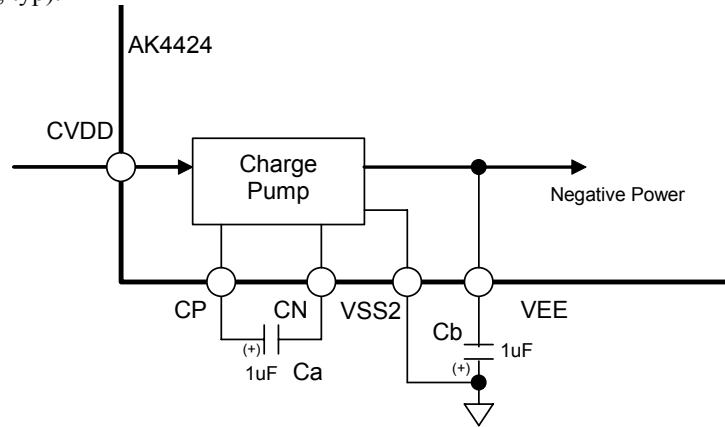


Figure 4. Negative power generation circuit

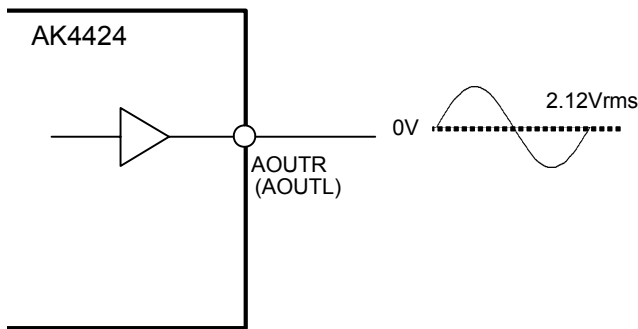
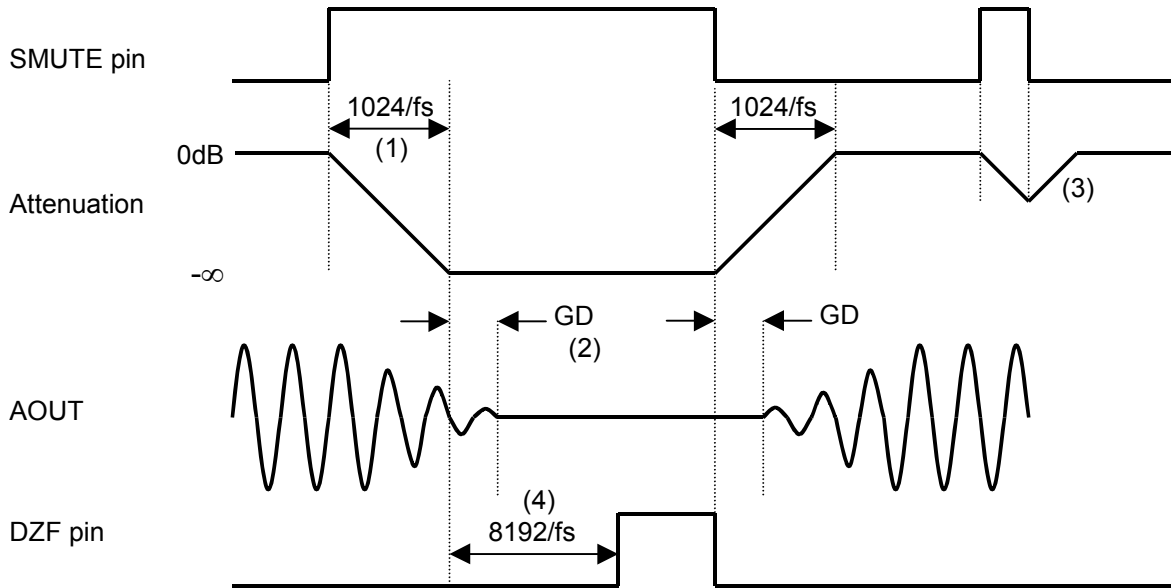


Figure 5. Audio signal output

■ Soft Mute Operation

Soft mute operation is performed in the digital domain. When the SMUTE pin is set “H”, the output signal is attenuated to $-\infty$ in 1024 LRCK cycles. When the SMUTE pin is returned to “L”, the mute is cancelled and the output attenuation gradually changes to 0dB in 1024 LRCK cycles. If the soft mute is cancelled within the 1024 LRCK cycles after starting this operation, the attenuation is discontinued and it is returned to 0dB by the same cycle. Soft mute is effective for changing the signal source without stopping the signal transmission. In one cycle of LRCK, eight “H” pulses or more must not be input to the SMUTE pin.



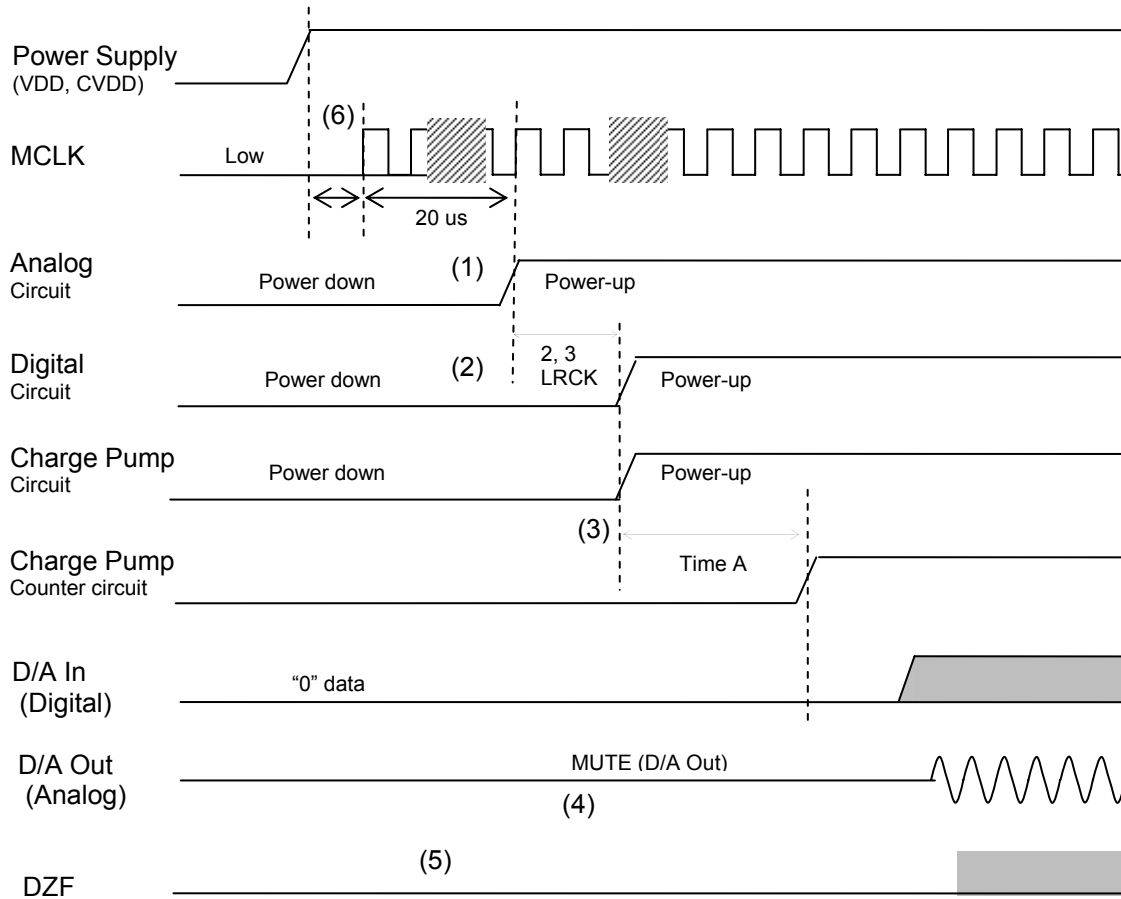
Notes:

- (1) The time for input data attenuation to $-\infty$, is
 Normal Speed Mode: 1024 LRCK cycles (1024/fs).
 Double Speed Mode: 2048 LRCK cycles (2048/fs).
 Quad Speed Mode : 4096 LRCK cycles (4096/fs).
- (2) The analog output corresponding to a specific digital input has a group delay, GD.
- (3) If soft mute is cancelled before attenuating to $-\infty$ after starting the operation, the attenuation is discontinued and returned to ATT level in the same cycle.
- (4) When the input data for both channels are continuously zeros for 8192 LRCK cycles, the DZF pin is set to “H”. The DZF pin immediately returns to “L” if the input data are not zero.

Figure 6. Soft Mute and Zero detect function

■ System Reset

The AK4424 is in power down mode upon power-up. The MCLK should be input after the power supplies are ramped up. The AK4424 is in power-down mode until LRCK are input.



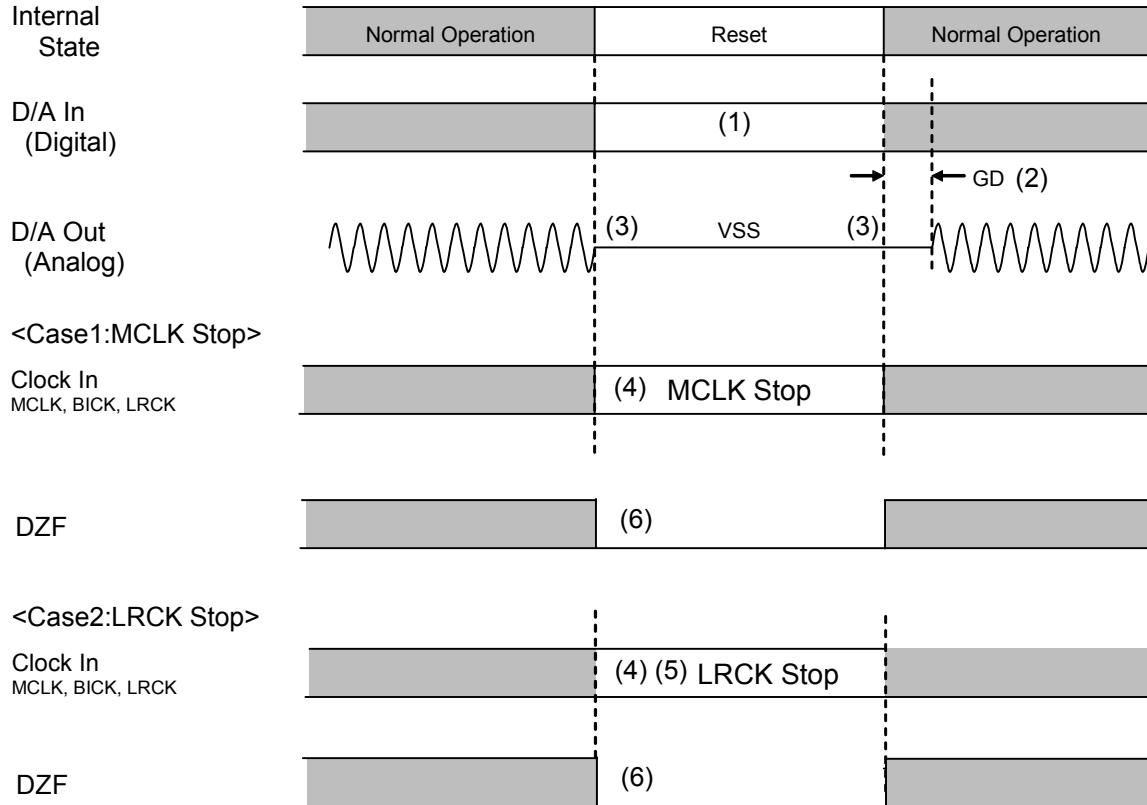
Notes:

- (1) Approximately 20μs after a MCLK input is detected, the internal analog circuit is powered-up.
- (2) The digital circuit is powered-up after 2 or 3 LRCK cycles following the detection of MCLK.
- (3) The charge pump counter starts after the charge pump circuit is powered-up. The DAC outputs a valid analog signal after Time A.
 $\text{Time A} = 1024 / (f_s \times 16)$: Normal speed mode
 $\text{Time A} = 1024 / (f_s \times 8)$: Double speed mode
 $\text{Time A} = 1024 / (f_s \times 4)$: Quadruple speed mode
- (4) No audible click noise occurs under normal conditions.
- (5) The DZF pin is "L" in the power-down mode.
- (6) The power supply must be powered-up when the MCLK pin is "L". MCLK must be input after 20μs when the power supply voltage achieves 80% of VDD. If not, click noise may occur at a different timing from this figure.

Figure 7. System reset diagram

■ Reset Function

When the MCLK or LRCK stops, the AK4424 is placed in reset mode and its analog outputs are set to VSS (0V, typ). When the MCLK and LRCK are restarted, the AK4424 returns to normal operation mode.



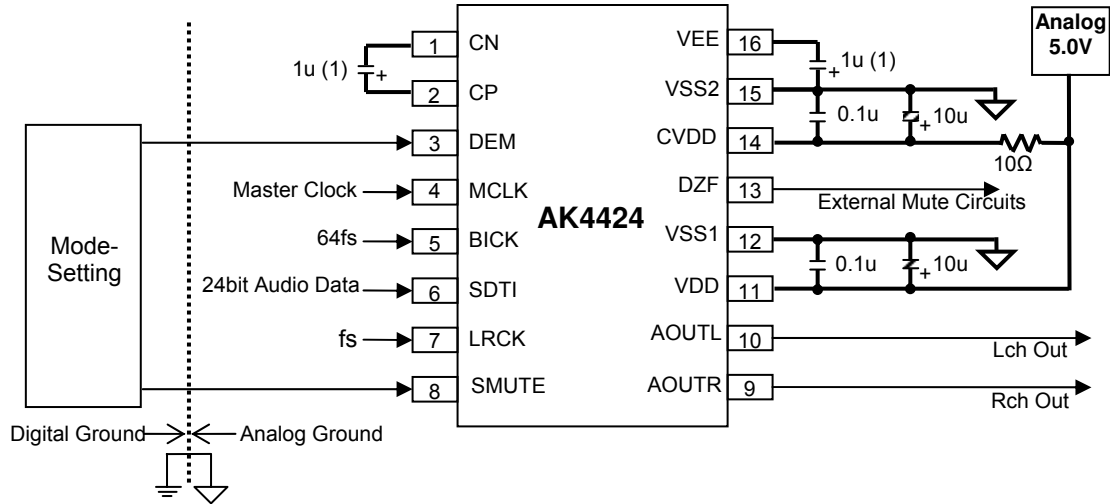
Notes:

- (1) Digital data can be stopped. The click noise after MCLK and LRCK are input again can be reduced by inputting the "0" data during this period.
- (2) The analog output corresponding to a specific digital input has group delay (GD).
- (3) No audible click noise occurs under normal conditions.
- (4) Clocks (MCLK, BICK, LRCK) can be stopped in the reset mode (MCLK or LRCK is stopped).
- (5) The AK4424 detects the stop of LRCK if LRCK for more than 2048/fs. When LRCK is stopped, the AK4424 exits reset mode after LRCK is input.
- (6) The DZF pin is set to "L" in the reset mode.

Figure 8. Reset Timing Example

SYSTEM DESIGN

Figure 9 shows the system connection diagram. An evaluation board (AKD4424) is available for fast evaluation as well as suggestions for peripheral circuitry.



Note:

- Use low ESR (Equivalent Series Resistance) capacitors. When using polarized capacitors, the positive polarity pin should be connected to the CP and VSS2 pin.
- VSS1 and VSS2 should be separated from digital system ground.
- Digital input pins should not be allowed to float.

Figure 9. Typical Connection Diagram

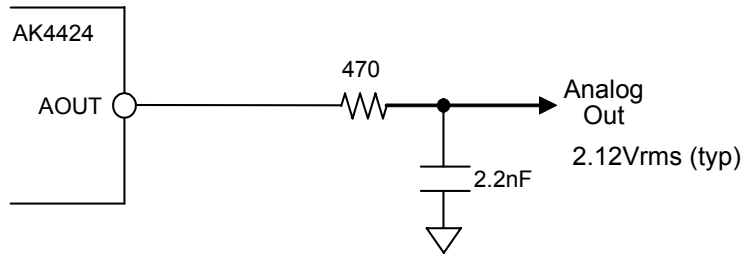
1. Grounding and Power Supply Decoupling

VDD and CVDD are supplied from the analog supply and should be separated from the system digital supply. Decoupling capacitors, especially 0.1μF ceramic capacitors for high frequency bypass, should be placed as near to VDD and CVDD as possible. The differential voltage between VDD and VSS pins set the analog output range. **The power-up sequence between VDD and CVDD is not critical.**

2. Analog Outputs

The analog outputs are single-ended and centered around the VSS (ground) voltage. The output signal range is typically 2.12Vrms (typ @VDD=5V). The internal switched-capacitor filter (SCF) and continuous-time filter (CTF) attenuate the noise generated by the delta-sigma modulator beyond the audio passband. Using single a 1st-order LPF (Figure 10) can reduce noise beyond the audio passband. Figure 11 shows example in the case of 10kΩ, 100kΩ terminus.

The output voltage is a positive full scale for 7FFFFFFH (@24bit data) and a negative full scale for 800000H (@24bit data). The ideal output is 0V (VSS) voltage for 000000H (@24bit data). The DC offset is ±60mV or less.



(fc = 154kHz, gain = -0.28dB @ 40kHz, gain = -1.04dB @ 80kHz)

Figure 10. External 1st order LPF Circuit Example1

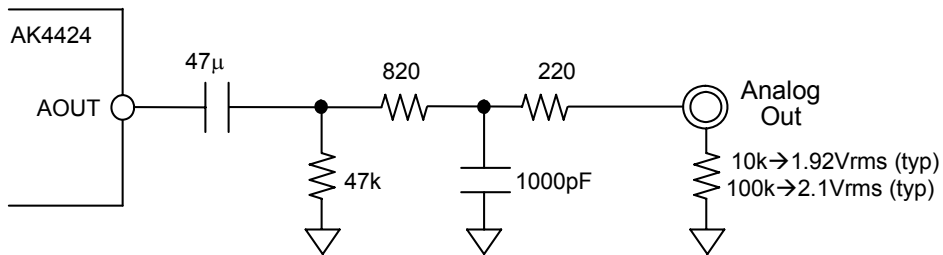
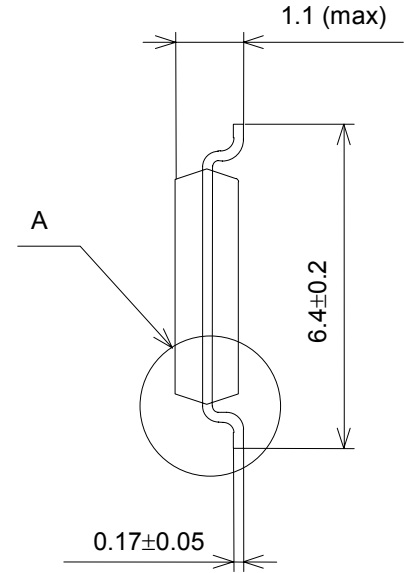
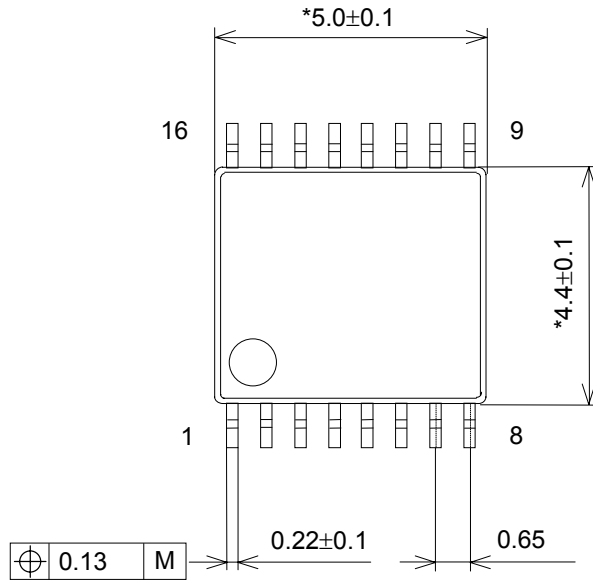


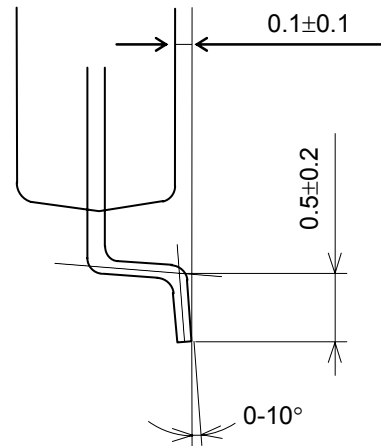
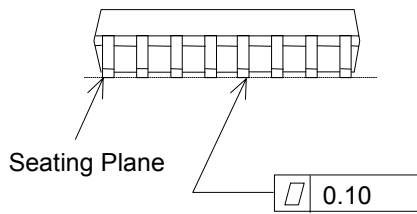
Figure 11. External 1st order LPF Circuit Example2

PACKAGE

16pin TSSOP (Unit: mm)



Detail A

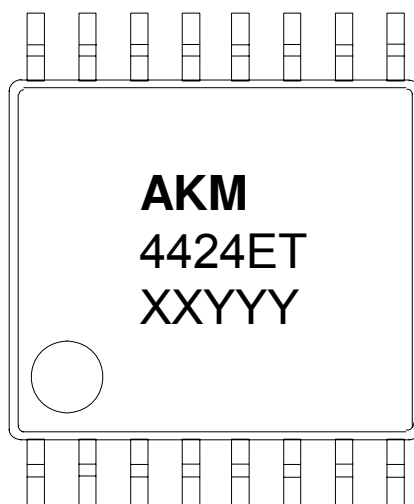


NOTE: Dimension "*" does not include mold flash.

■ Package & Lead frame material

Package molding compound:	Epoxy
Lead frame material:	Cu
Lead frame surface treatment:	Solder (Pb free) plate

MARKING



- 1) Pin #1 indication
- 2) Date Code : XYYYY (5 digits)
 XX: Lot#
 YYY: Date Code
- 3) Marketing Code : 4424ET
- 4) Asahi Kasei Logo

REVISION HISTORY

Date (YY/MM/DD)	Revision	Reason	Page	Contents
08/02/22	00	First Edition		
08/04/03	01	Description Addition	2	AK4421 was added to “■ Main Difference Between AK4420 and AK4424”.
08/10/07	02	Description Addition	10	■ De-emphasis Filter “In case of double speed and quad speed mode, the digital de-emphasis filter is always off.” was added.
10/09/28	03	Specification Change	17	PACKAGE The package dimension was changed.

IMPORTANT NOTICE

- These products and their specifications are subject to change without notice.
When you consider any use or application of these products, please make inquiries the sales office of Asahi Kasei Microdevices Corporation (AKM) or authorized distributors as to current status of the products.
- Descriptions of external circuits, application circuits, software and other related information contained in this document are provided only to illustrate the operation and application examples of the semiconductor products. You are fully responsible for the incorporation of these external circuits, application circuits, software and other related information in the design of your equipments. AKM assumes no responsibility for any losses incurred by you or third parties arising from the use of these information herein. AKM assumes no liability for infringement of any patent, intellectual property, or other rights in the application or use of such information contained herein.
- Any export of these products, or devices or systems containing them, may require an export license or other official approval under the law and regulations of the country of export pertaining to customs and tariffs, currency exchange, or strategic materials.
- AKM products are neither intended nor authorized for use as critical components^{Note1)} in any safety, life support, or other hazard related device or system^{Note2)}, and AKM assumes no responsibility for such use, except for the use approved with the express written consent by Representative Director of AKM. As used here:
 - Note1) A critical component is one whose failure to function or perform may reasonably be expected to result, whether directly or indirectly, in the loss of the safety or effectiveness of the device or system containing it, and which must therefore meet very high standards of performance and reliability.
 - Note2) A hazard related device or system is one designed or intended for life support or maintenance of safety or for applications in medicine, aerospace, nuclear energy, or other fields, in which its failure to function or perform may reasonably be expected to result in loss of life or in significant injury or damage to person or property.
- It is the responsibility of the buyer or distributor of AKM products, who distributes, disposes of, or otherwise places the product with a third party, to notify such third party in advance of the above content and conditions, and the buyer or distributor agrees to assume any and all responsibility and liability for and hold AKM harmless from any and all claims arising from the use of said product in the absence of such notification.