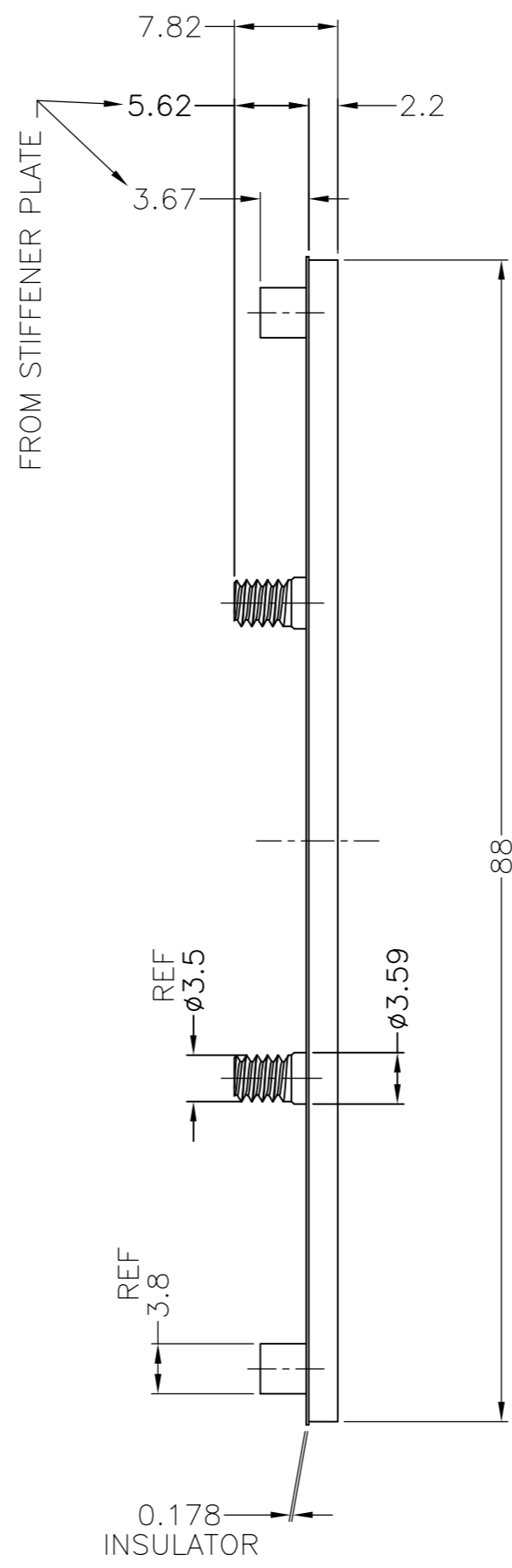
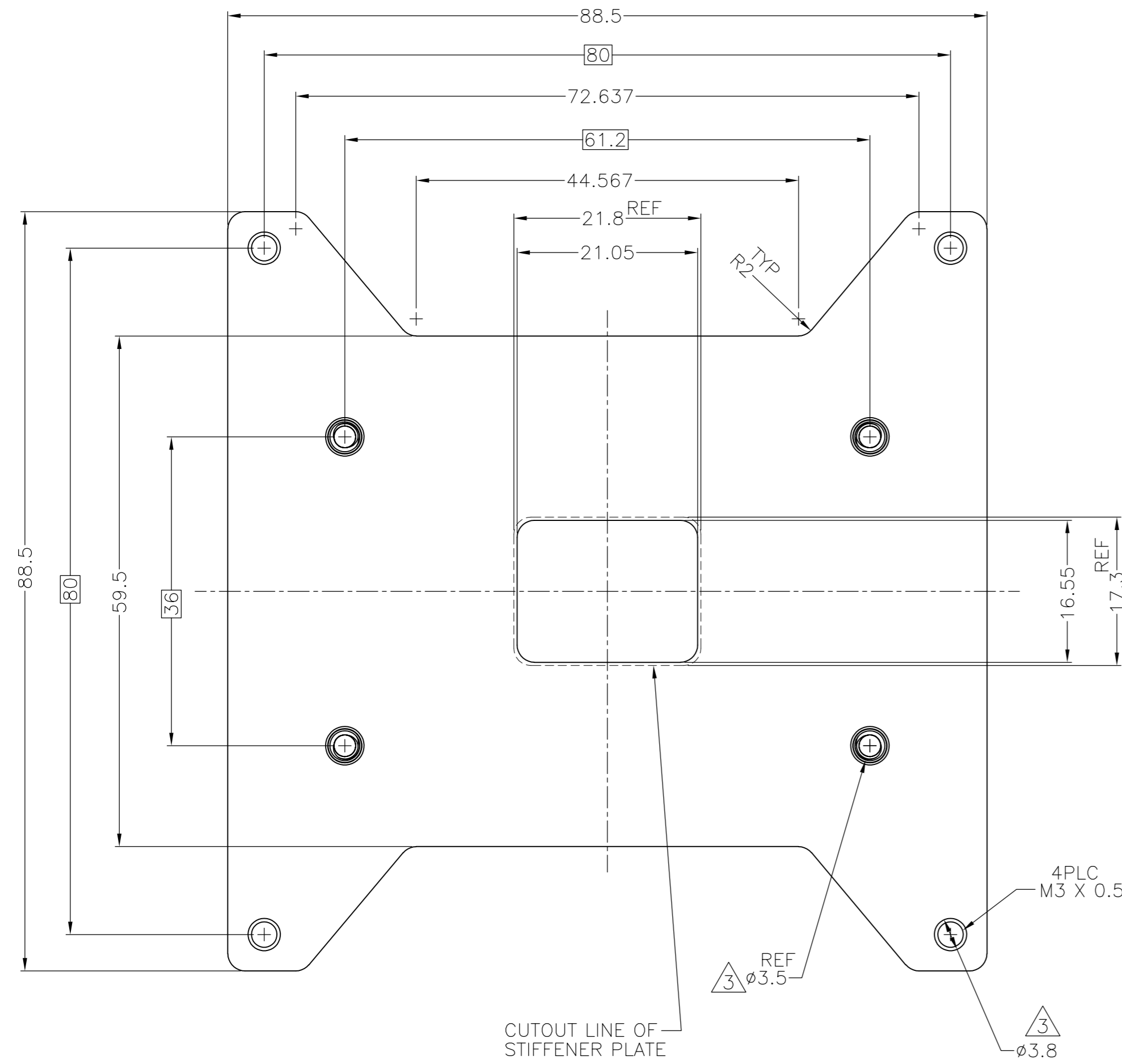
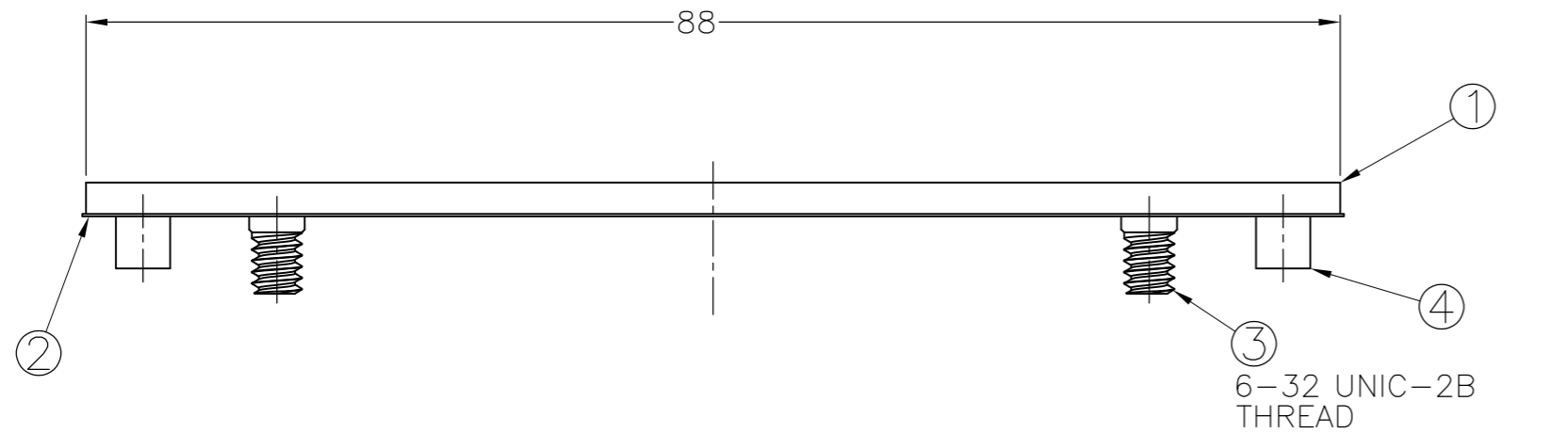
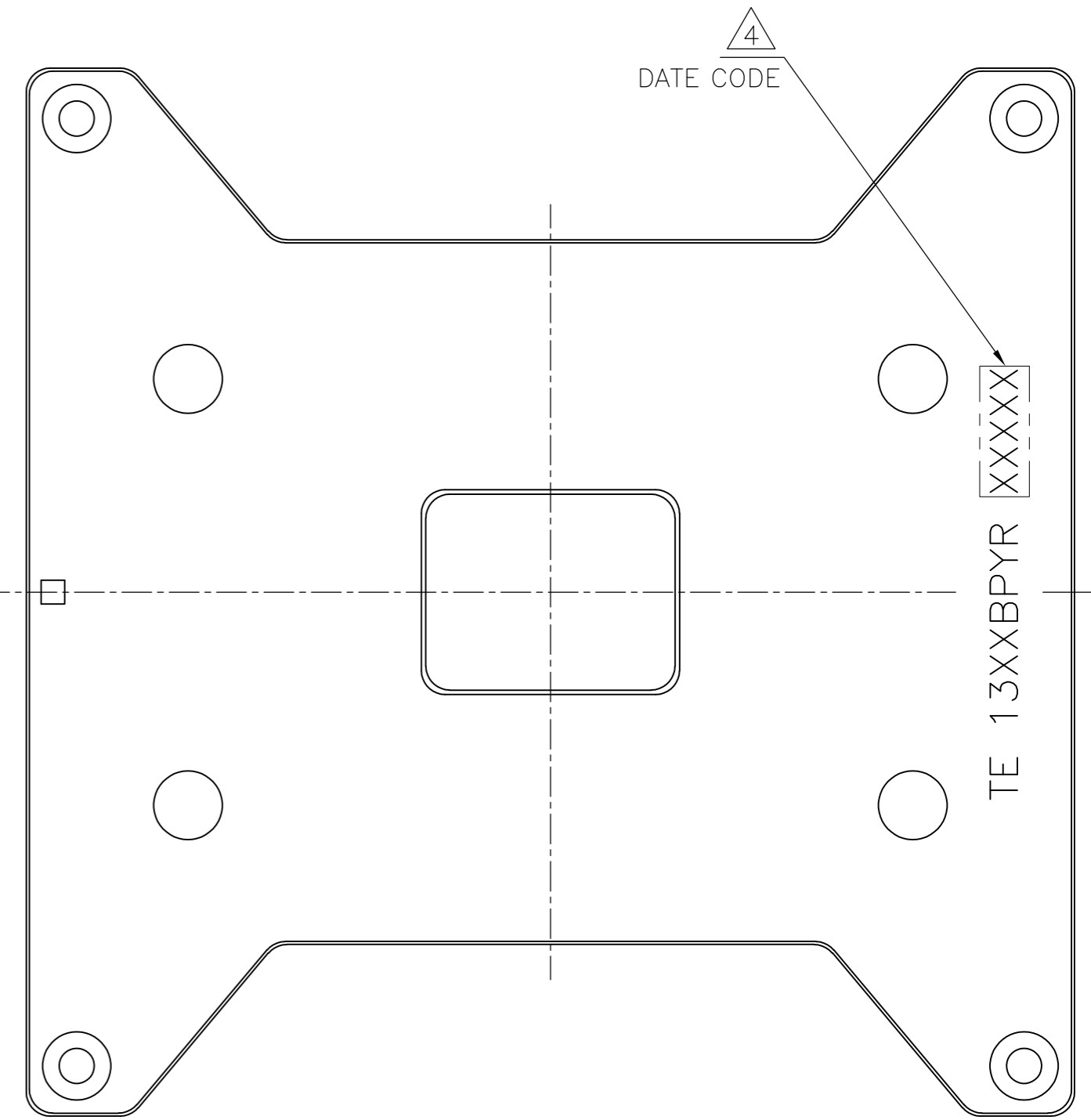


THIS DRAWING IS UNPUBLISHED. RELEASED FOR PUBLICATION
 © COPYRIGHT BY TYCO ELECTRONICS CORPORATION. ALL INTERNATIONAL RIGHTS RESERVED.

LOC	DIST	REVISIONS					
		P	LTR	DESCRIPTION	DATE	DWN	APVD
-	-	H		REVISED	27SEP'10	S.A	S.H



- MATERIAL
 - ① STIFFENER PLATE: STEEL
FINISH: NICKEL PLATING
 - ② INSULATOR: POLYCARBONATE FILM PLUS ACRYLIC ADHESIVE LAYER
 - ③ STUD BOLT: STEEL
FINISH: NICKEL PLATING
 - ④ FEMALE NUT: SUS
- ASSEMBLED WITH ILM ASSY (DRAWING NUMBER: 1939738)
 - ③ THE STUD BOLTS AND FEMALE NUTS SHALL BE ADAPTED TO PCB LAYOUT FOR SOCKET ASSY LGA1366 OR SOCKET ASSY LGA1356 (DRAWING NUMBER: 1981837 OR 1554116)
 - ④ INDICATED DATE CODE ON THE STIFFENER PLATE



1981467-1
PART NUMBER

THIS DRAWING IS A CONTROLLED DOCUMENT.		DWN H.TAGUCHI 22SEP2008	Tyco Electronics Corporation Kawasaki, Japan	
DIMENSIONS: 単位: 寸 mm		CHK S.HASHIMOTO 17DEC2007	NAME 名称 STIFFENER PLATE ASSY (SERVER BACKPLATE) LGA13XX	
TOLERANCES UNLESS OTHERWISE SPECIFIED: 一般公差		APVD S.HASHIMOTO 17DEC2007	SIZE A2	CAGE CODE 00779
0 PLC ±		PRODUCT SPEC 製品規格	DRAWING NO 番号 C=1981467	RESTRICTED TO -
1 PLC ± ±0.3		APPLICATION SPEC 取付適用規格	SCALE 尺度 2:1	SHEET 1 OF 1
2 PLC ± ±3°		WEIGHT 104g	REV H	
3 PLC ±		CUSTOMER DRAWING		
4 PLC ±				
ANGLES ±				
FINISH 仕上				

1981467-1 : AS SHOWN