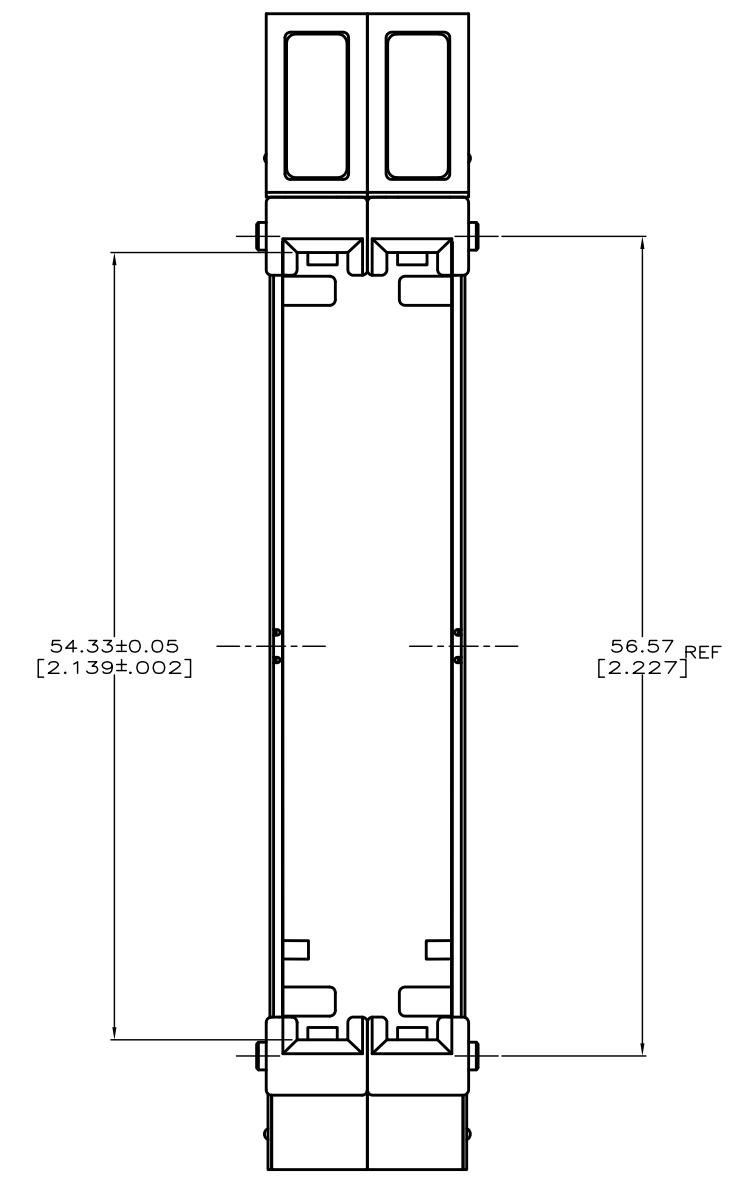
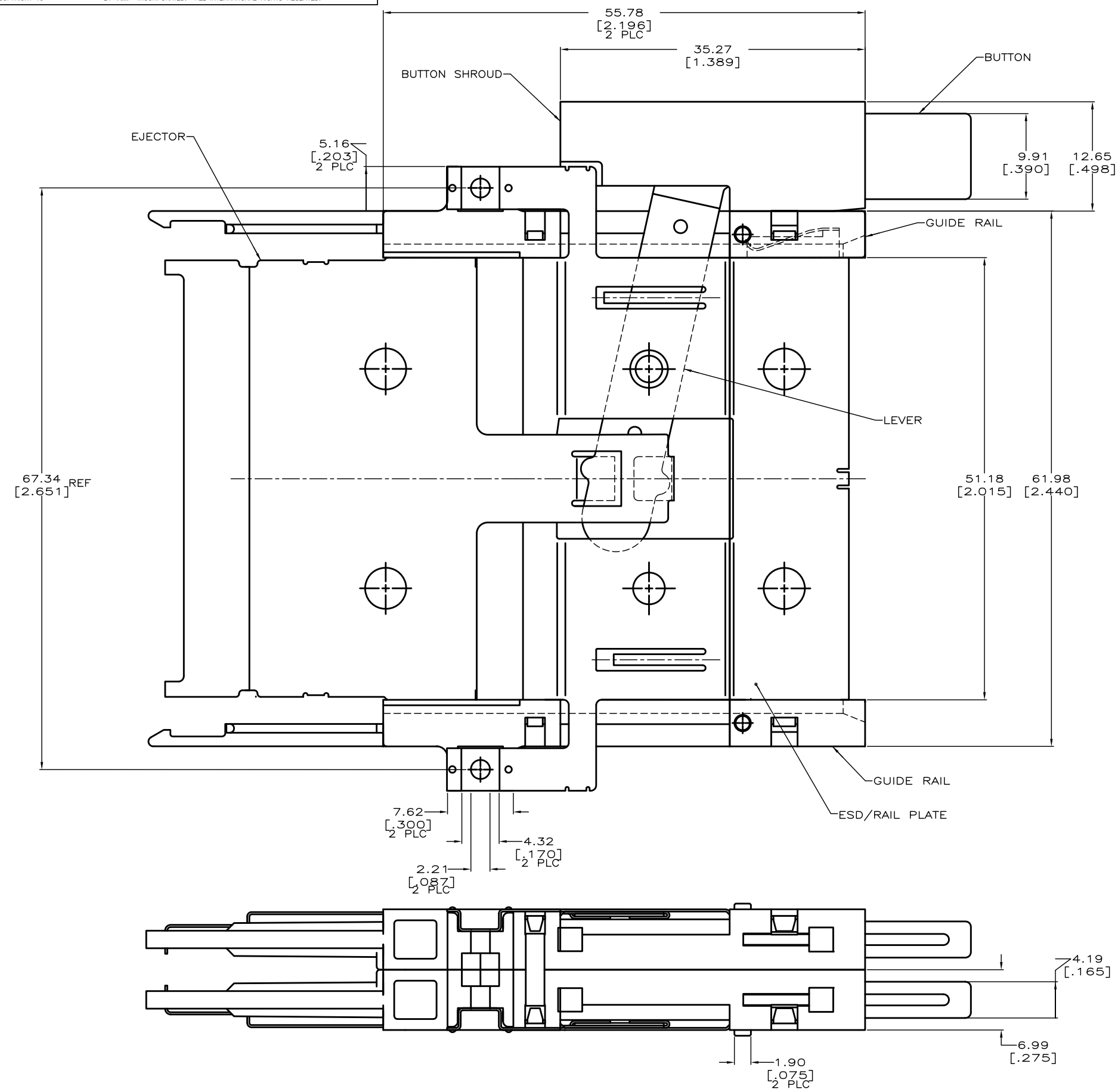


DRAWING MADE IN THIRD ANGLE PROJECTION  
 THIS DRAWING IS UNPUBLISHED. RELEASED FOR PUBLICATION  
 © COPYRIGHT 19 BY AMP INCORPORATED. ALL INTERNATIONAL RIGHTS RESERVED.

LOC		DIST		ZONE		LTR		REVISIONS		DATE	APPD
AD	39							A1	REVISED (ECR-13-013920)	9/6/2013	CW

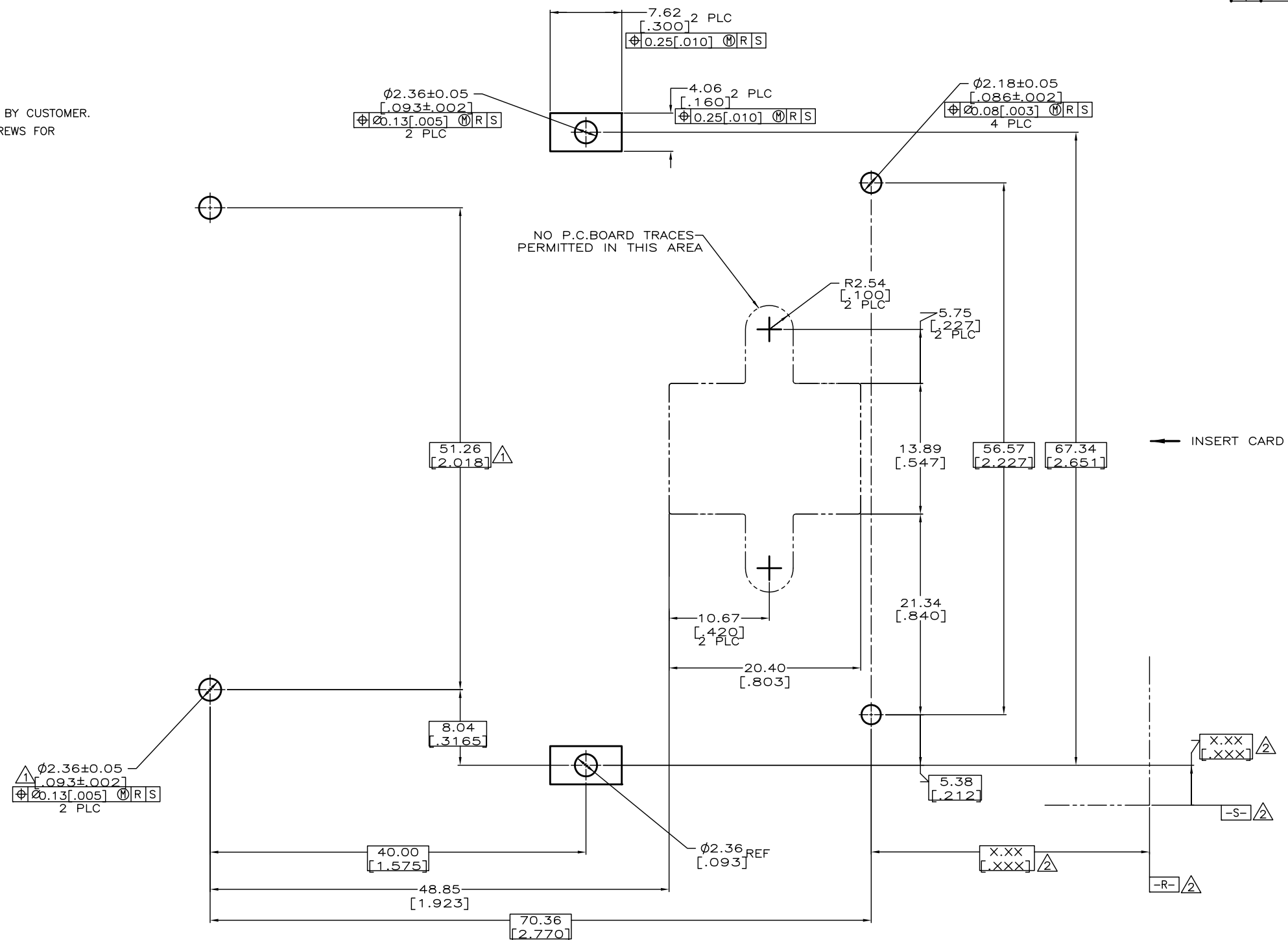


146036-1  
PART NO

DO NOT SCALE PRINT. UNLESS SPECIFIED. DIMENSIONS IN mm [INCHES]. TOLERANCES ON: 2 PLC DEC ± 0.13 [.005], 3 PLC DEC ±, ANGLES ± -		DR 9/9/93 J MOSER		NAME	
MATERIAL: GUIDES, SHROUDS & BUTTON: LCP, COLOR: BLACK; EJECTOR, RAIL PLATE & LEVER: STAINLESS STEEL.		CHK 9/9/93 B ELICKER		ASSEMBLY, STACKED EJECTORS, SAME SIDE BUTTONS, AMP MEMORY CARD	
FINISH: -		APPD 9/9/93 B ELICKER	PRODUCT SPEC	SIZE: D	CAGE CODE: 00779
THIS DRAWING IS A CONTROLLED DOCUMENT FOR AMP INCORPORATED. IT IS SUBJECT TO CHANGE AND THE CONTROLLING ENGINEERING ORGANIZATION SHOULD BE CONTACTED FOR THE LATEST REVISION.		APPLICATION SPEC	WEIGHT: 34.2 GRAMS	DRAWING NO: C-146036	SHEET: 10F 2
		SCALE: 4:1	CUSTOMER DRAWING		

LOC		DIST		ZONE		LTR		REVISIONS		DATE	APPD
AD	39							A1	SEE SHEET ONE	-	-

- ▲ HEADER MOUNTING HOLE LOCATIONS
- ▲ DATUMS & BASIC DIMENSIONS ESTABLISHED BY CUSTOMER.
- 3. ASSEMBLY REQUIRES USE OF 2-SIZE 2M SCREWS FOR FASTENING TO PRINTED CIRCUIT BOARD.



RECOMMENDED BOARD LAYOUT

THIS DRAWING IS A CONTROLLED DOCUMENT FOR AMP INCORPORATED. IT IS SUBJECT TO CHANGE AND THE CONTROLLING ENGINEERING ORGANIZATION SHOULD BE CONTACTED FOR THE LATEST REVISION.

DO NOT SCALE PRINT, UNLESS SPECIFIED  
 DIMENSIONS IN mm [INCHES]  
 TOLERANCES ON :  
 2 PLC DEC ± 0.13 [.005]  
 3 PLC DEC ±  
 ANGLES ± -  
 MATERIAL -  
 FINISH -  
 WEIGHT -

DR	9/9/93	J MOSER
CHK	9/9/93	B ELICKER
APPD	9/9/93	B ELICKER
APPD	9/9/93	B ELICKER
PRODUCT SPEC		
APPLICATION SPEC		
WEIGHT		

PART NO		
<b>STE</b> TE Connectivity		
NAME		
ASSEMBLY, STACKED EJECTORS, SAME SIDE BUTTONS, AMP MEMORY CARD		
SIZE	CAGE CODE	DRAWING NO
D	00779	C-146036
SCALE	SHEET	
4:1	2 OF 2	

CUSTOMER DRAWING