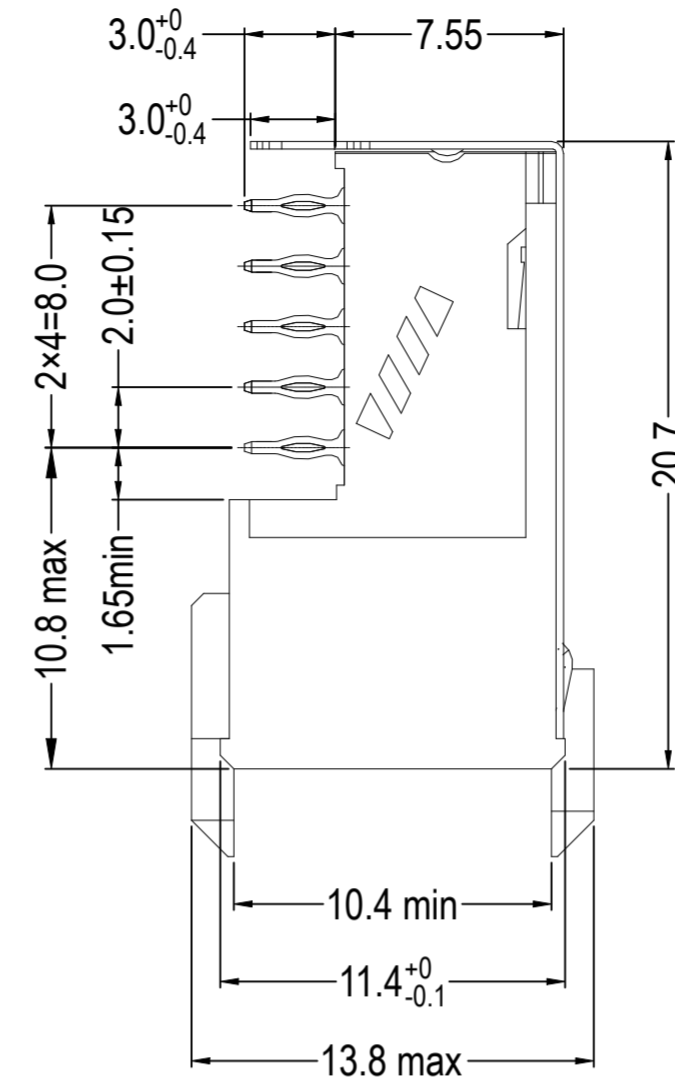
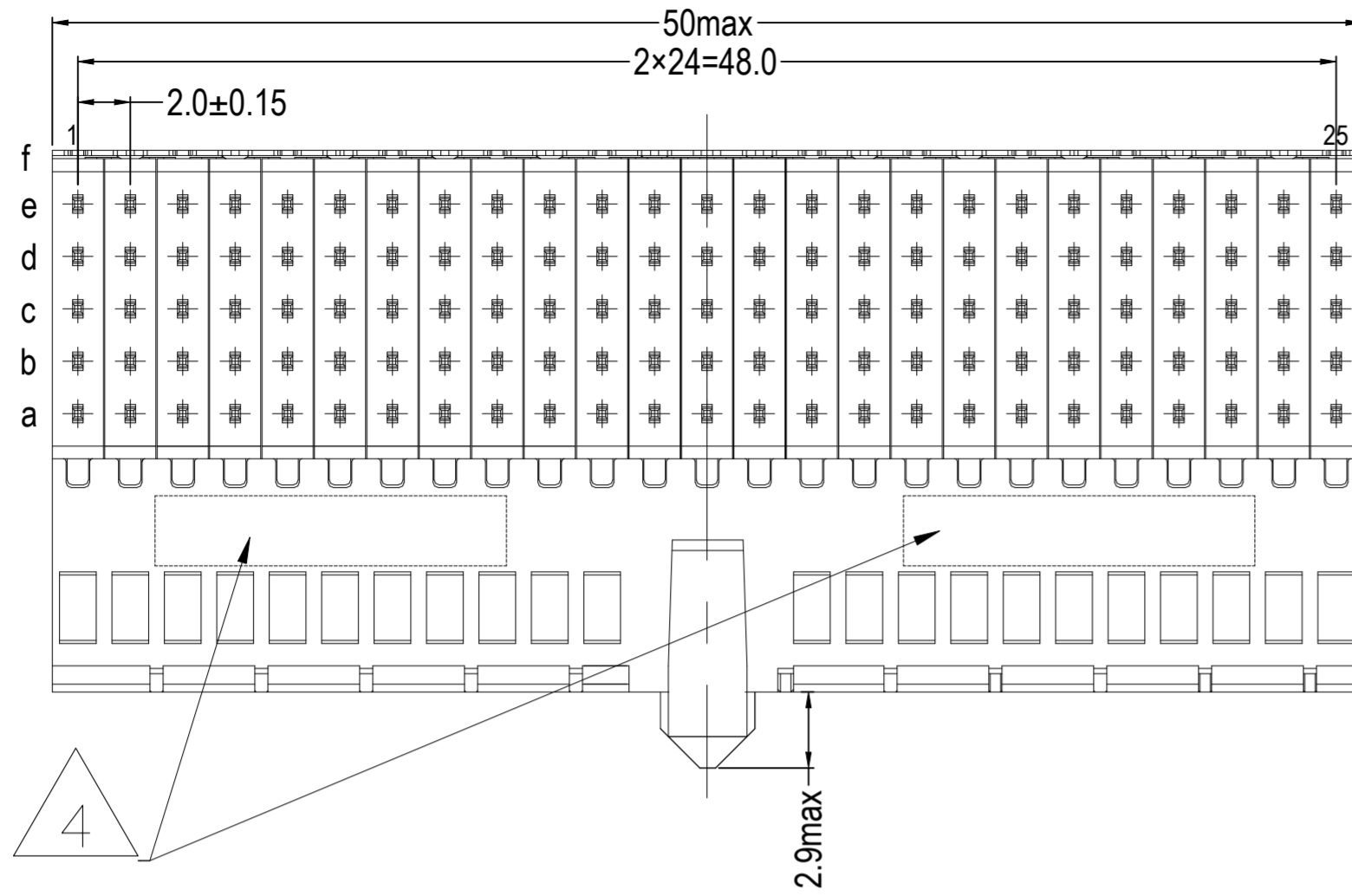
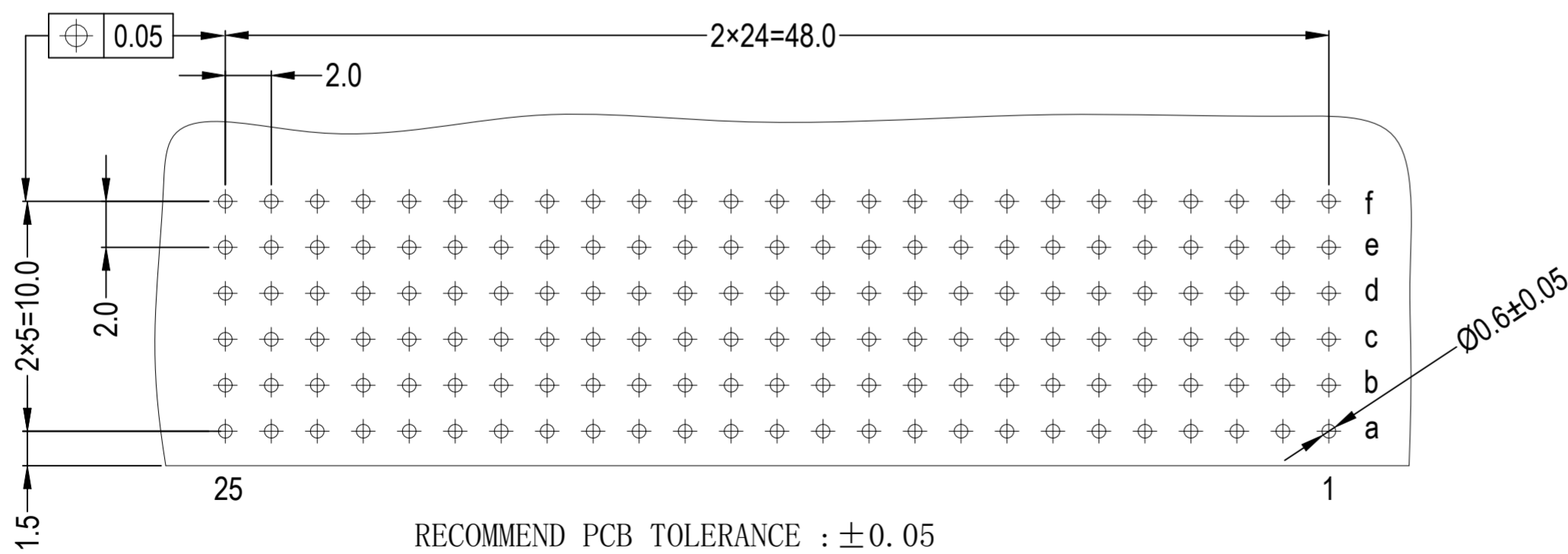
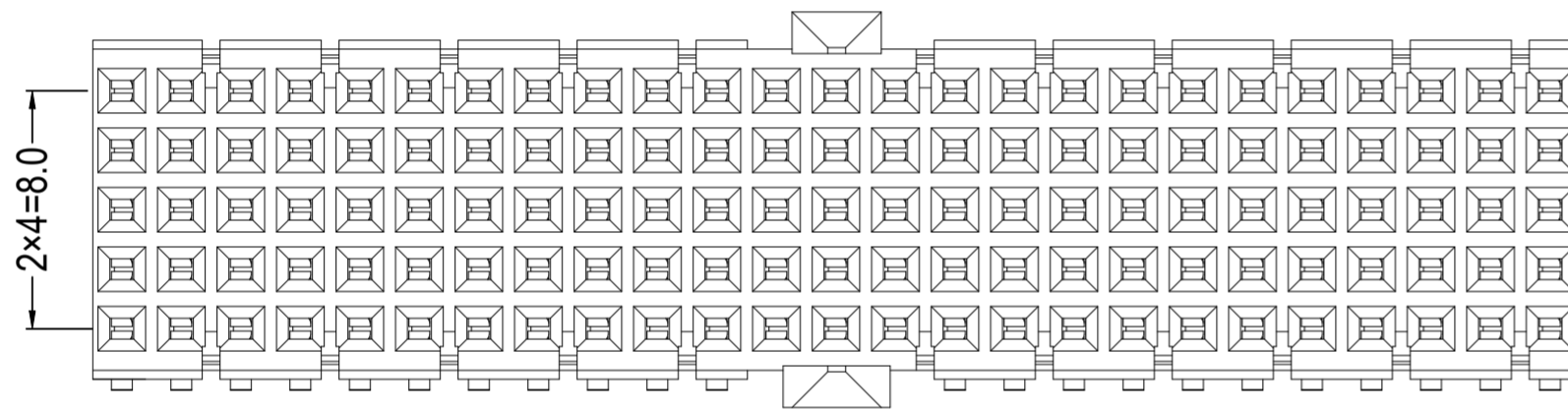


REVISIONS					
P	LTR	DESCRIPTION	DATE	DWN	APVD
A		INITIAL DRAWING	18OCT2021	TL	HL



NOTES:

- ⚠ MATERIAL CONTACTS; COPPER ALLOY  
MATERIAL HOUSING; GLASSFILLED POLYESTER
- ⚠ GENERAL PLATING SPECIFICATION: UNDERPLATING (ENTIRE CONTACT):  
1,27µm NICKEL MIN. AND EON PIN: 0,5µm TIN MIN.  
FOR PLATING OF MATING SURFACES SEE APPLICABLE SPECIFICATION  
REFERENCE FOR EACH DASH NUMBER.
- ⚠ CONFORMS TO ALL TESTING ACCORDING IEC 61076-4-101  
PERFORMANCE LEVEL 2.
- ⚠ ASSEMBLY PRINTED WITH P/N AND DATECODE



RECOMMEND PCB TOLERANCE : ±0.05

FINISH		MATERIAL		PART NUMBER	
23		↑		2392865-1	
THIS DRAWING IS A CONTROLLED DOCUMENT.				TE Connectivity Ltd.	
DWN TONY LI 28MAY2021		NAME		Z-PACK 2mm HM WITH UPPER SHIELD	
CHK ALEX XU 28MAY2021		PRODUCT SPEC		TYPE A/B - 25 COLUMNS	
APVD HOPE LU 28MAY2021		APPLICATION SPEC		RECEPTACLE ,EON	
DIMENSIONS: mm		WEIGHT 0		RESTRICTED TO	
TOLERANCES UNLESS OTHERWISE SPECIFIED: ±0.2		SIZE A2		CAGE CODE 00779	
6-PLC ±		DRAWING NO C=2392865		SCALE 5:1	
1-PLC ±		CUSTOMER DRAWING		SHEET 1 of 1	
2-PLC ±				REV A	
3-PLC ±					
4-PLC ±					
ANGLES ±					
FINISH					